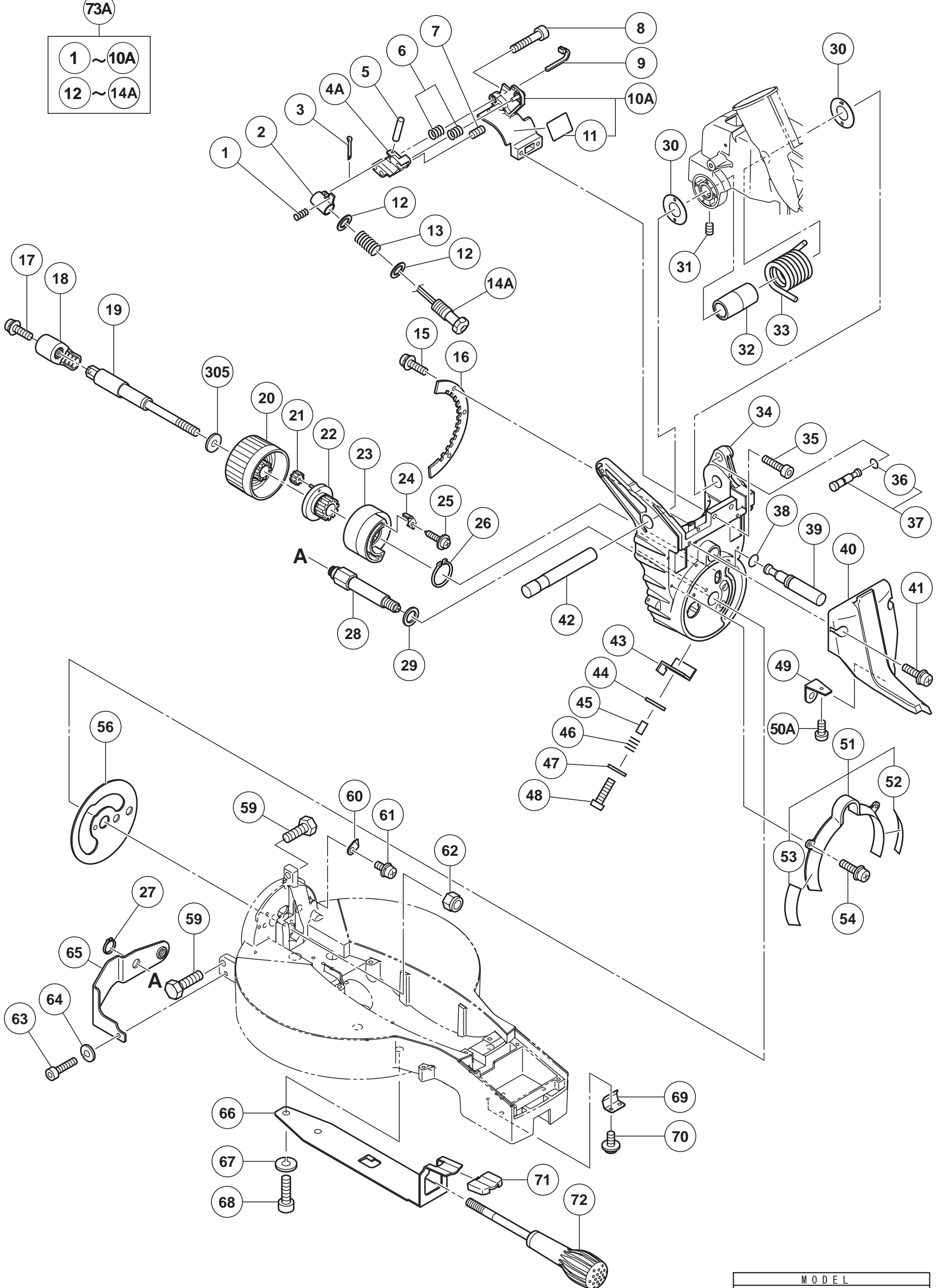
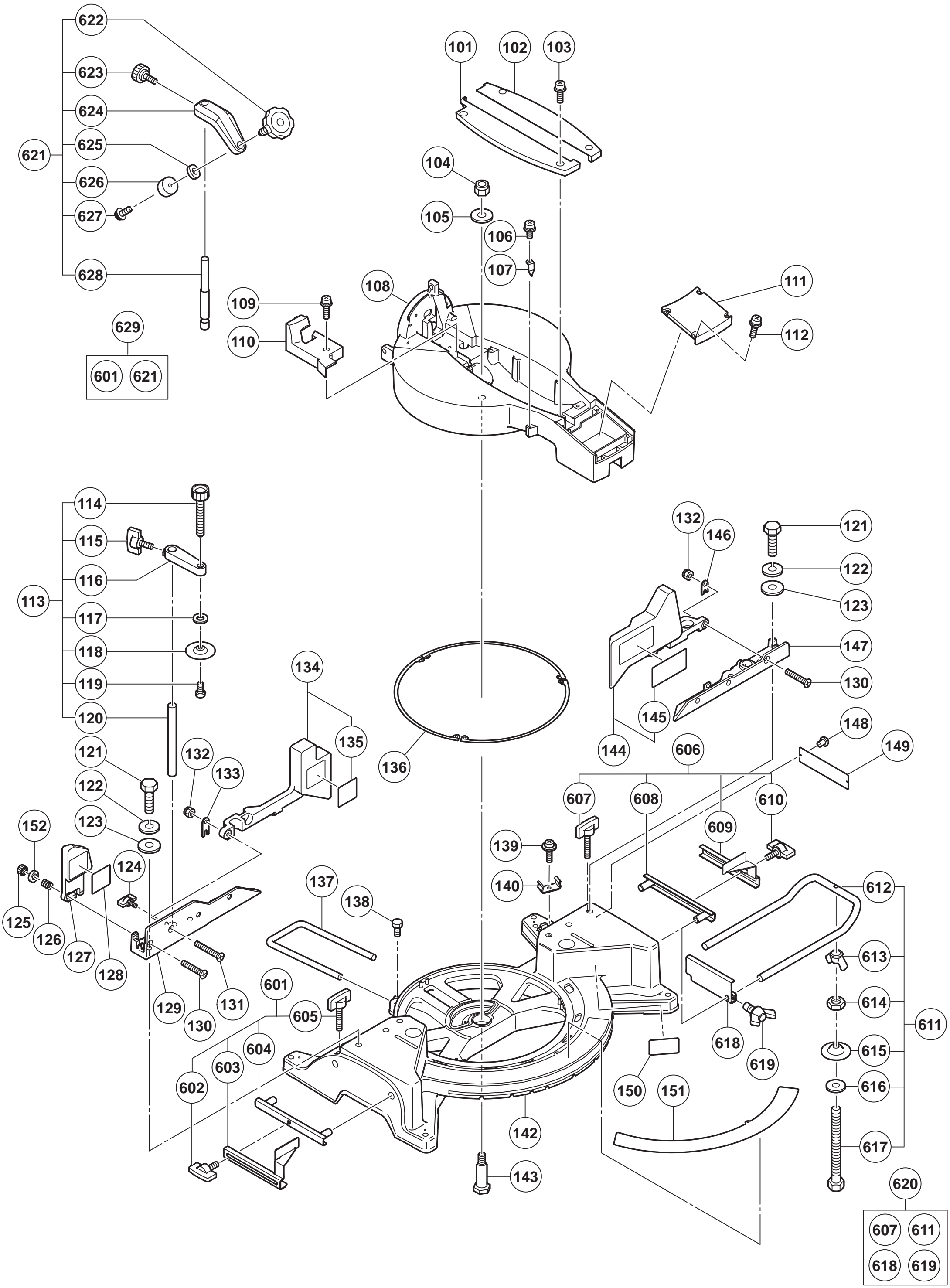


73A

- 1 ~ 10A
- 12 ~ 14A

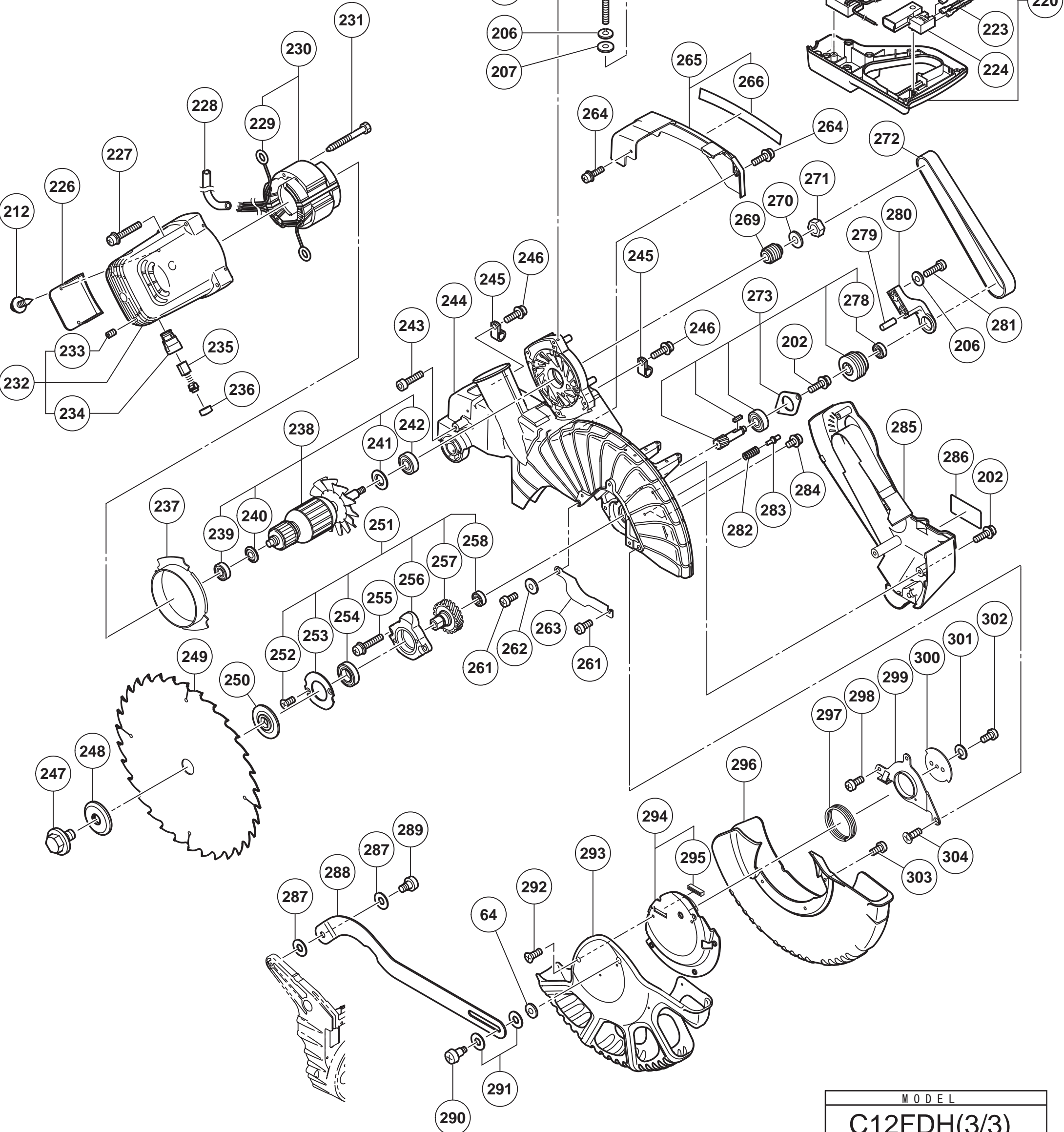
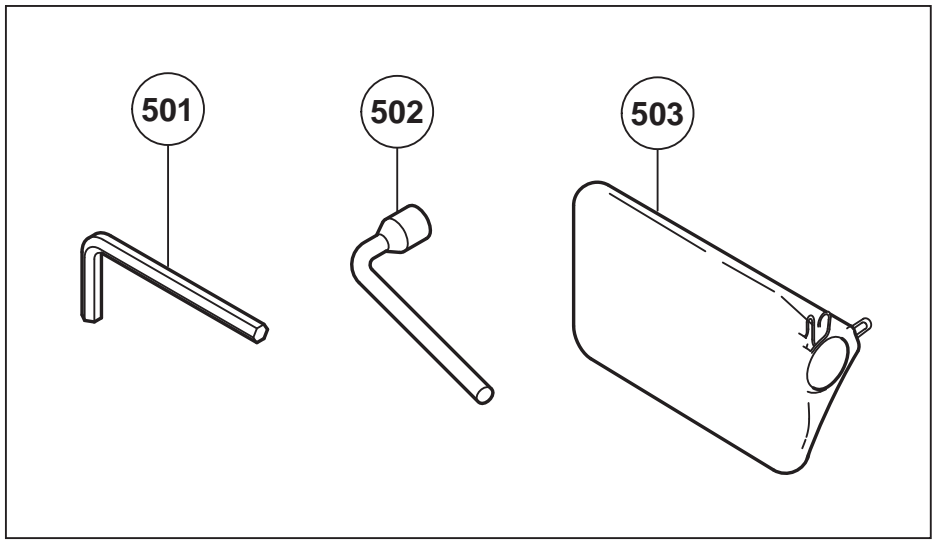


MODEL
C12FDH(1/3)



Rev.1

MODEL
C12FDH(2/3)



MODEL
C12FDH(3/3)