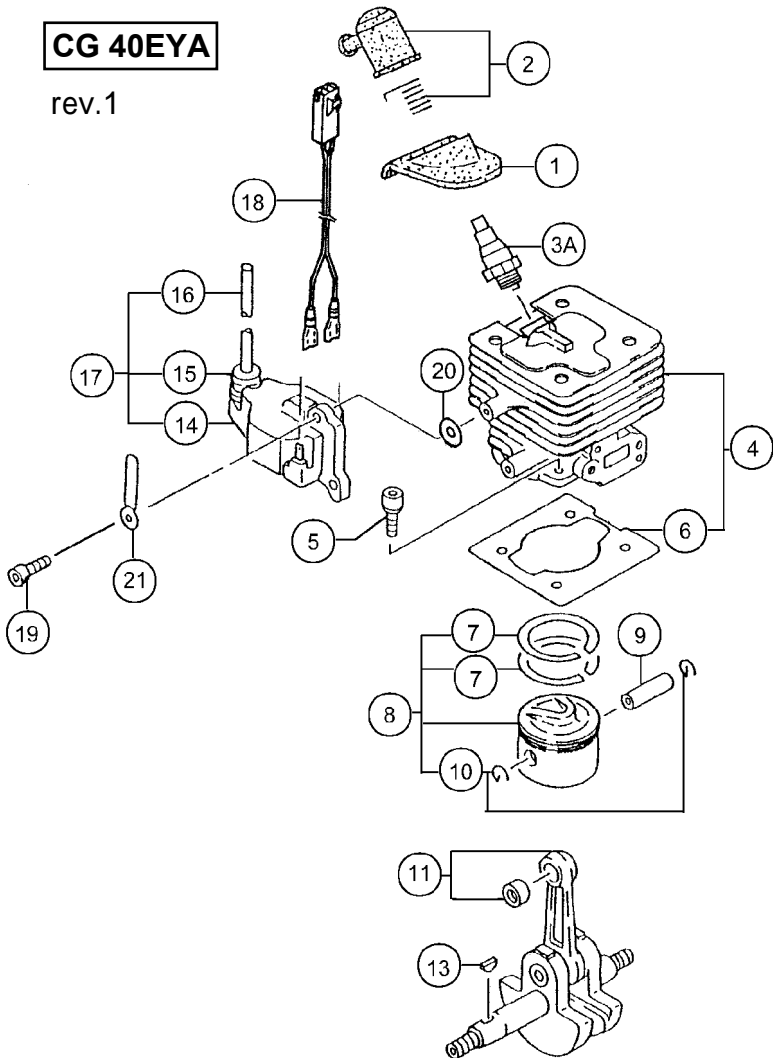
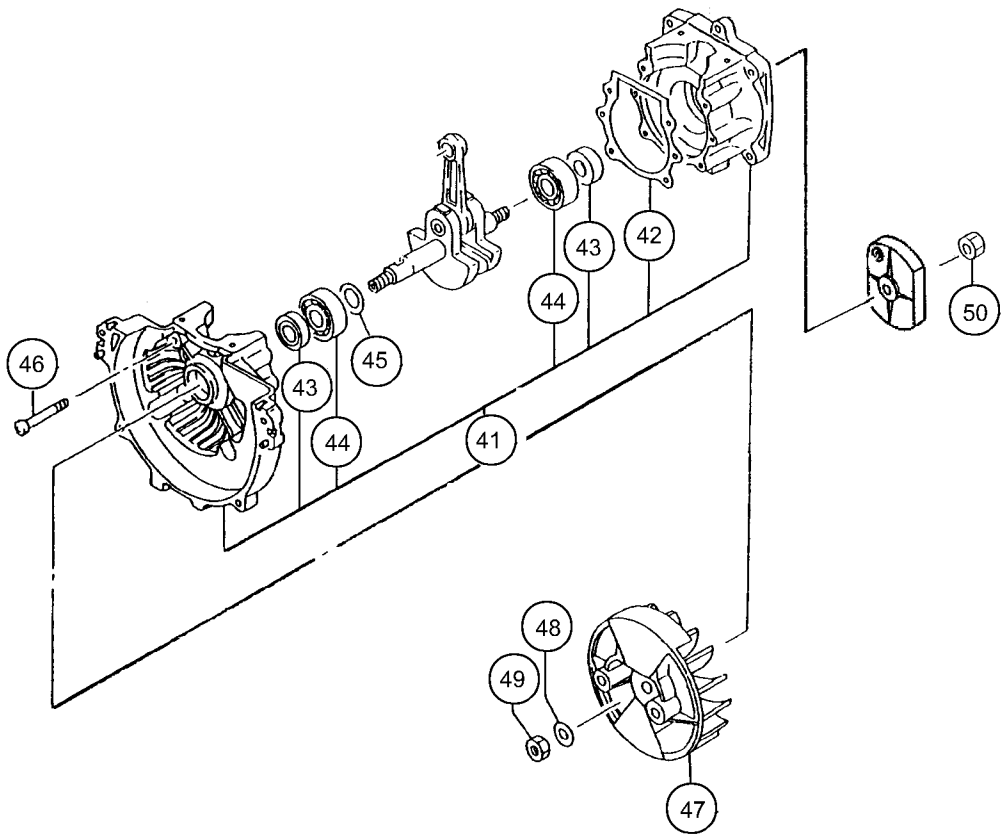
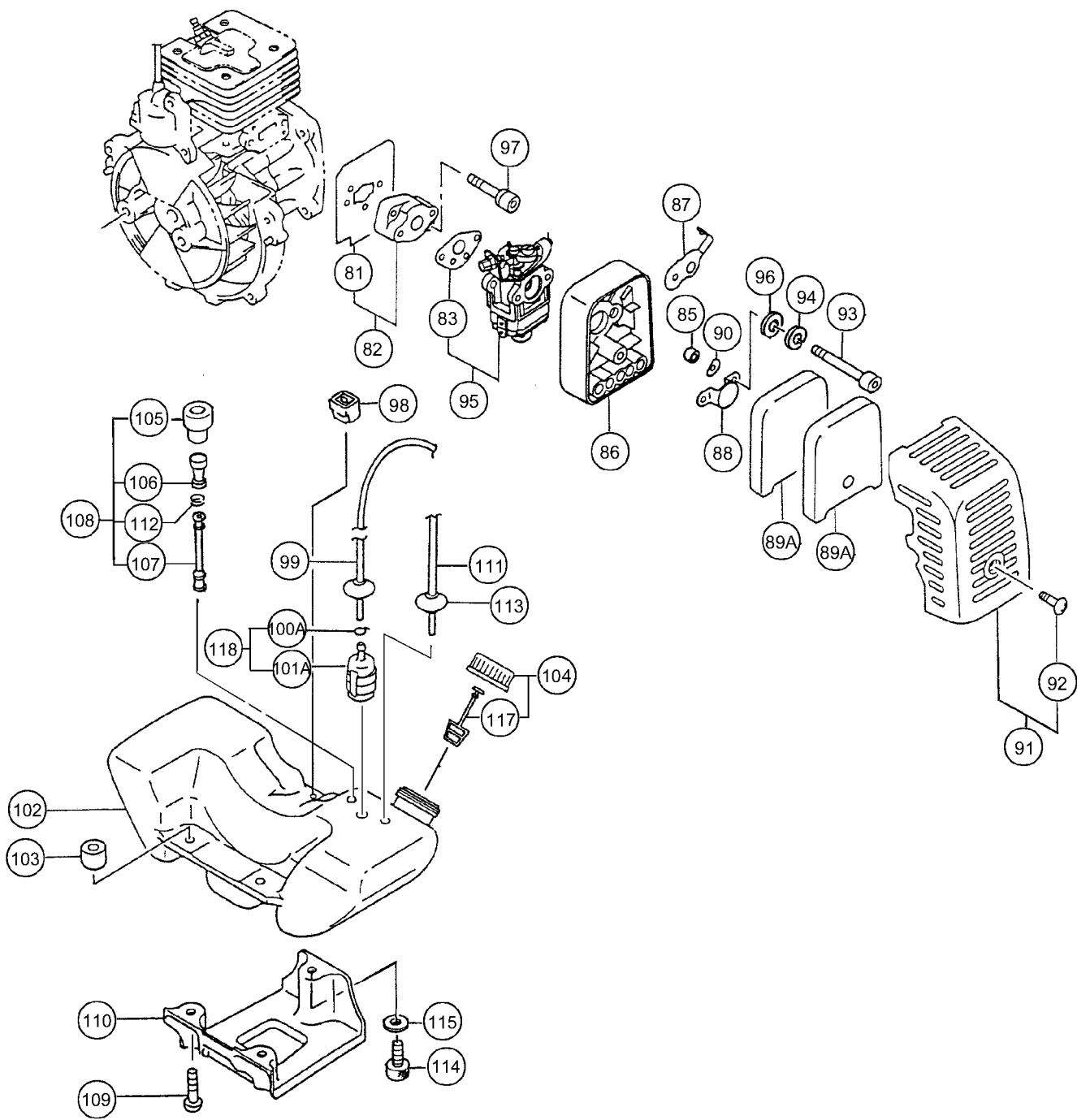


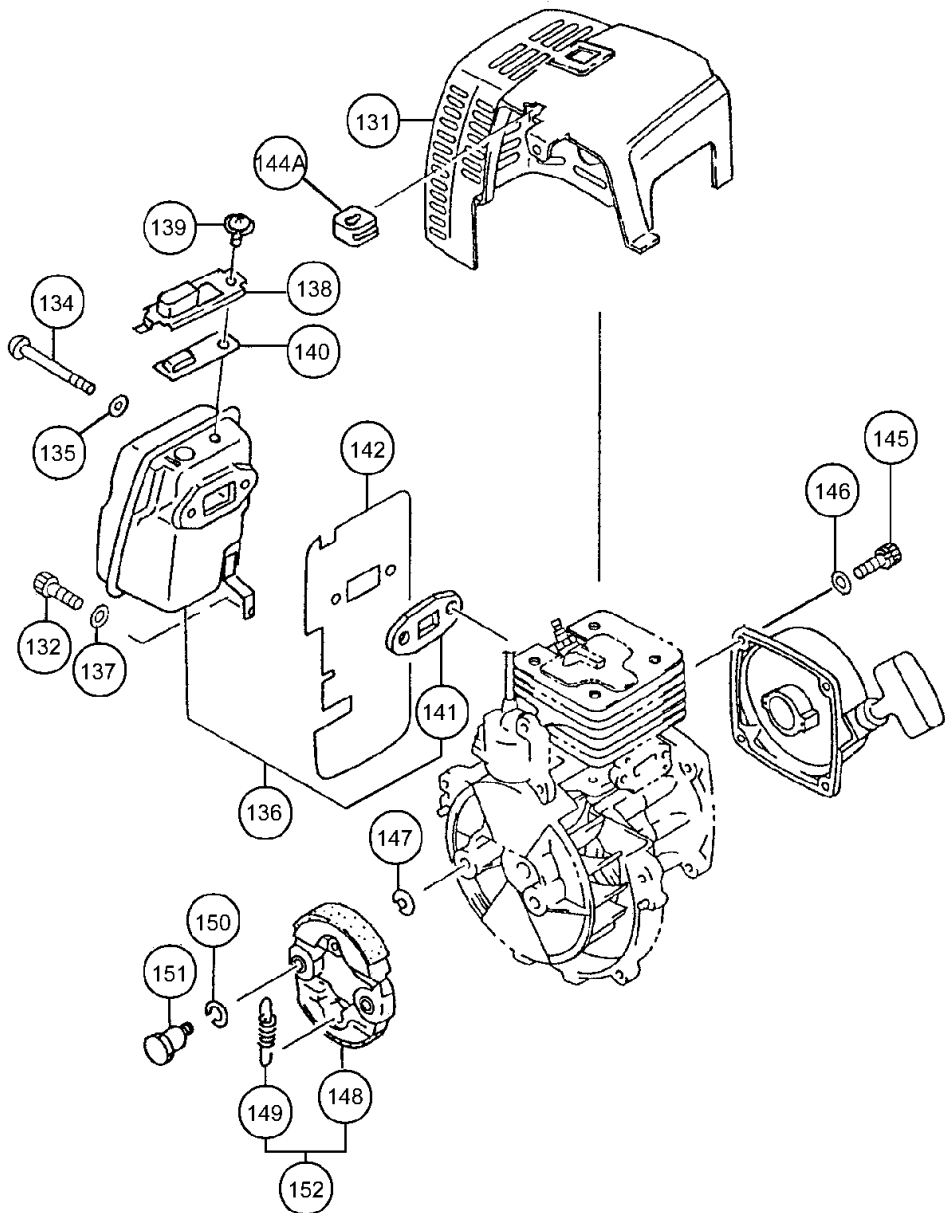
# CG 40EYA

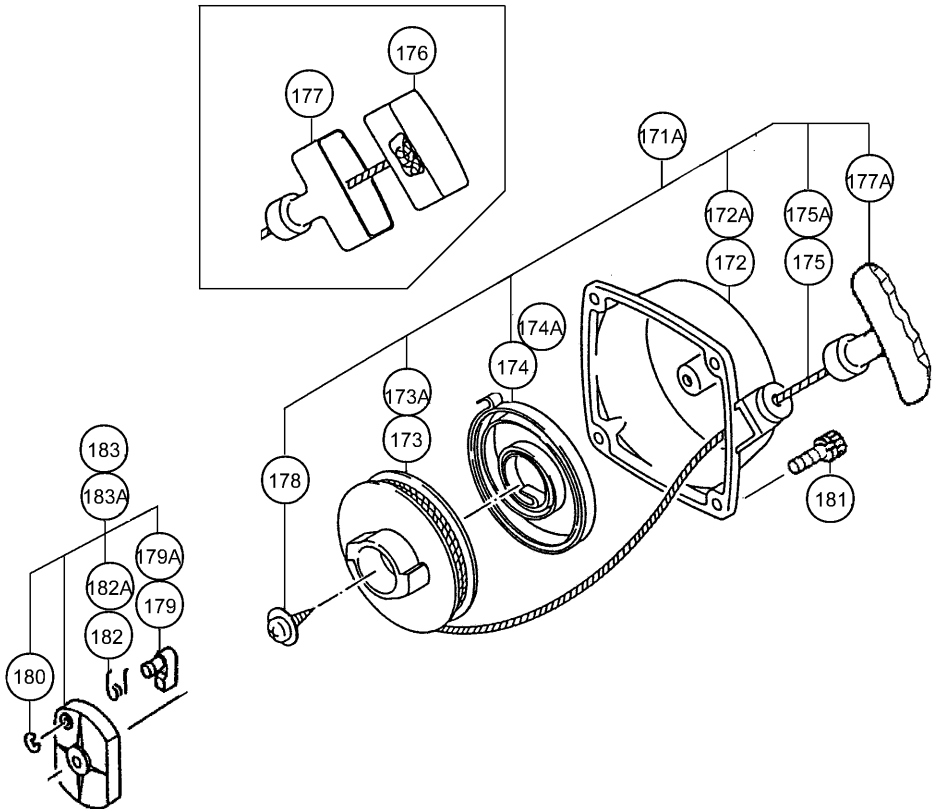
rev.1

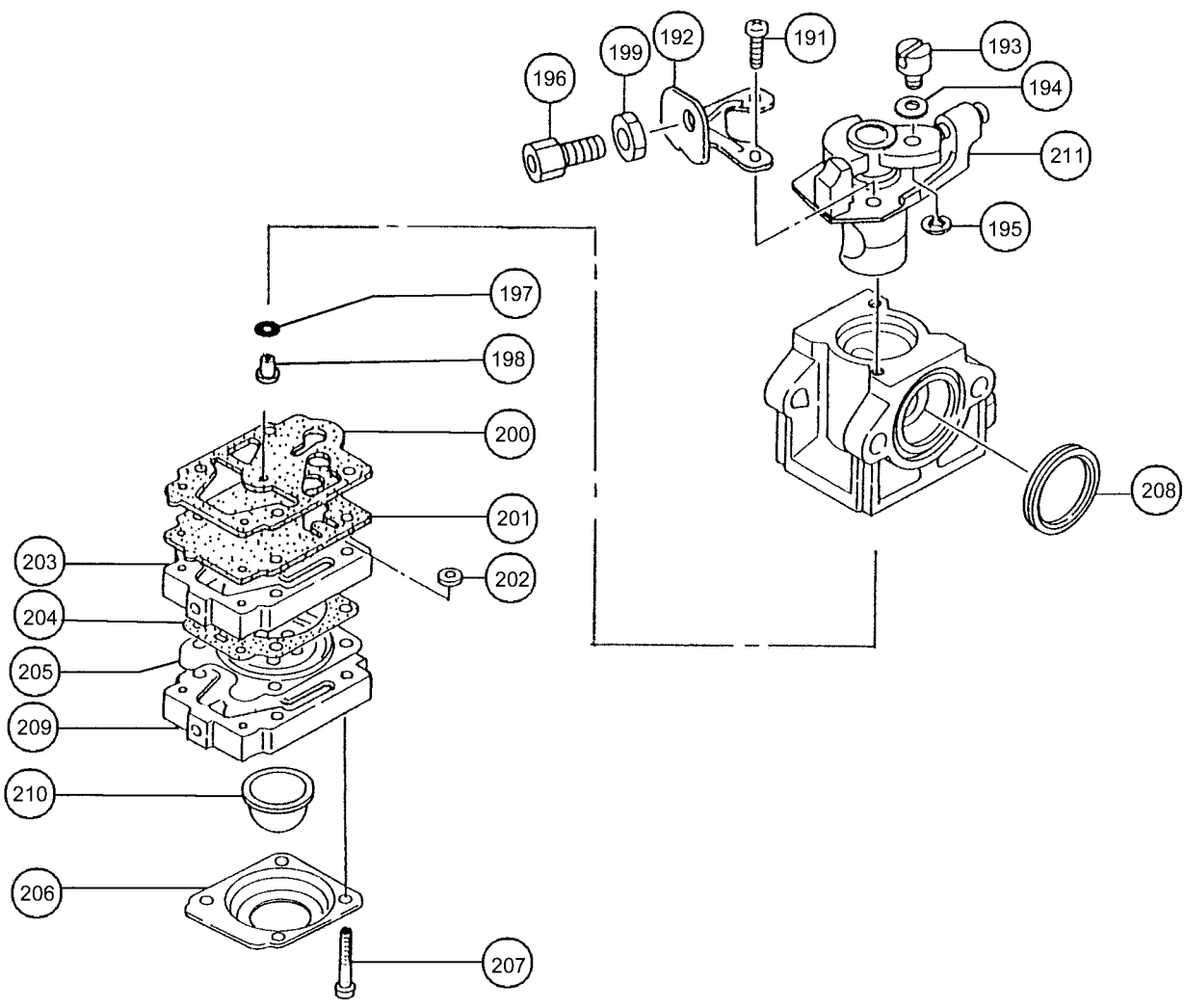


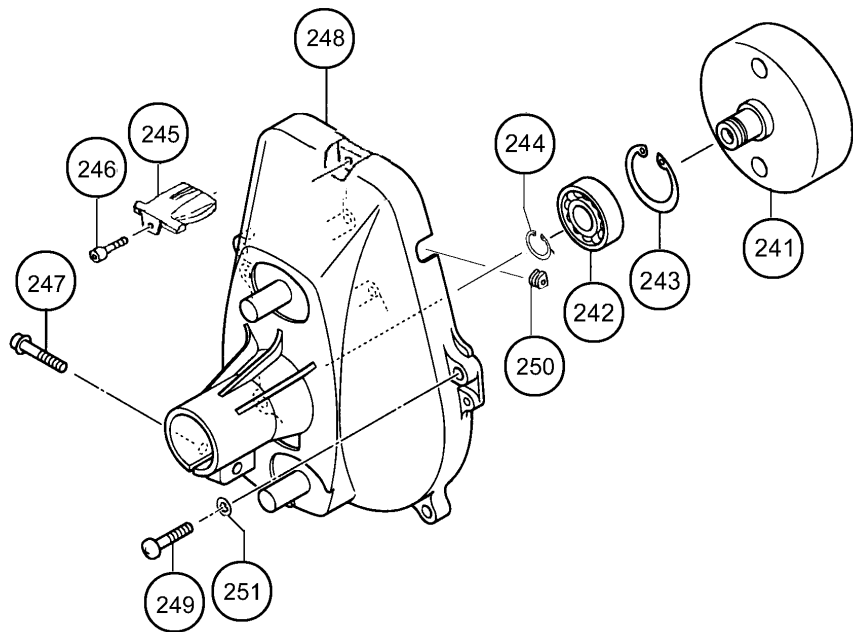


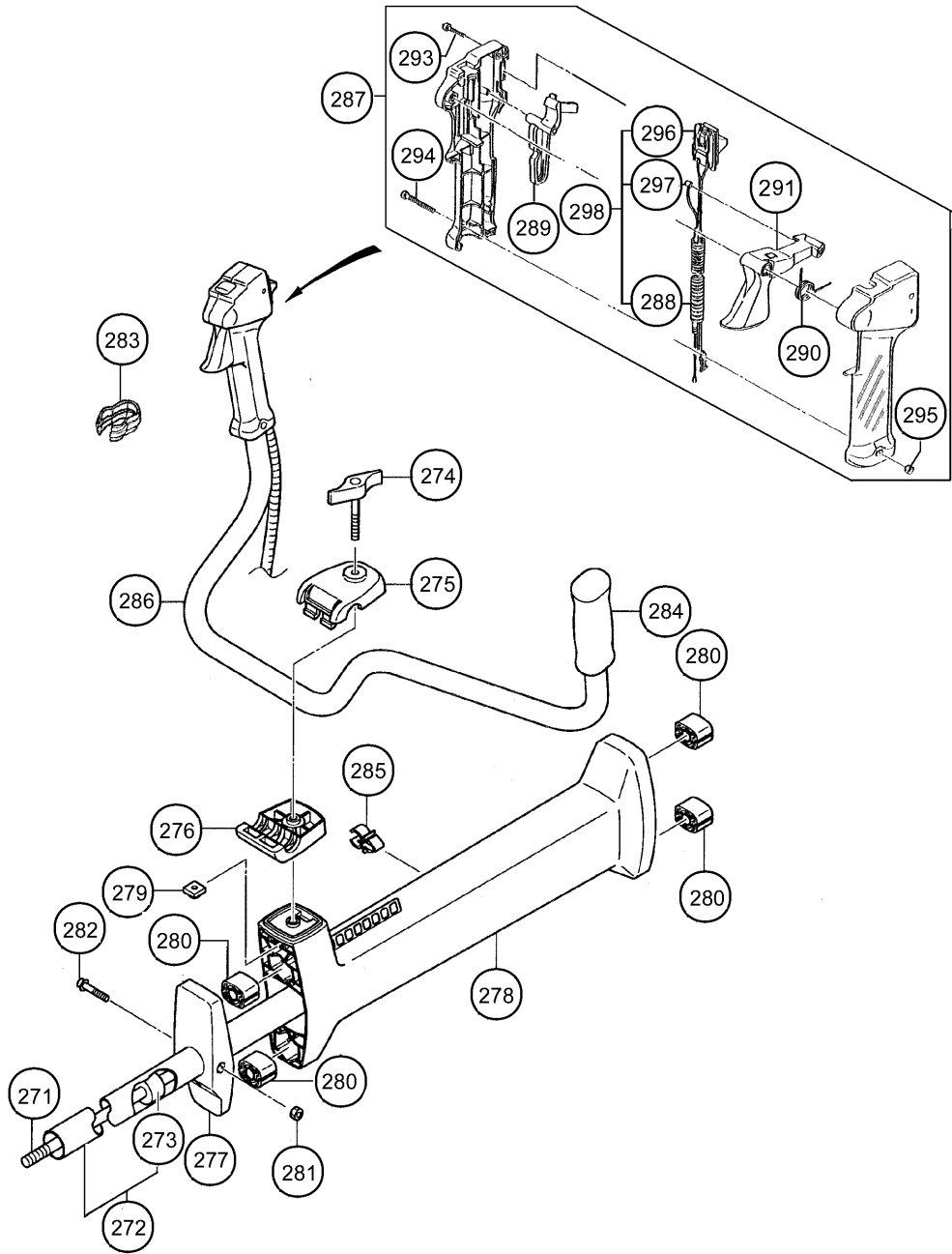




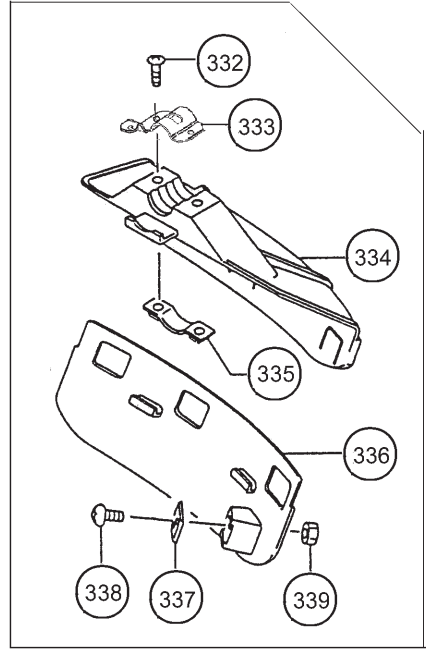
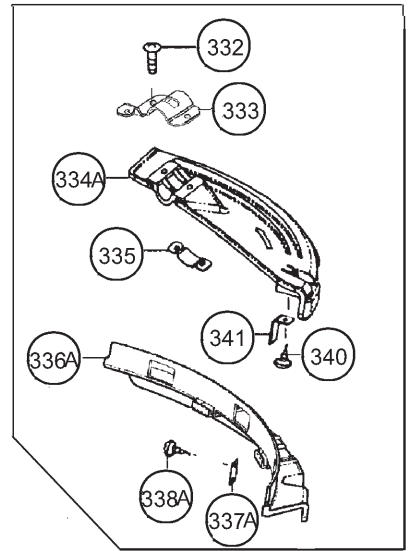
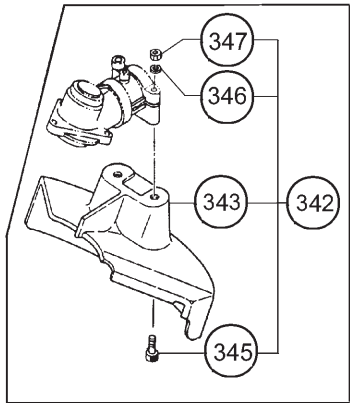
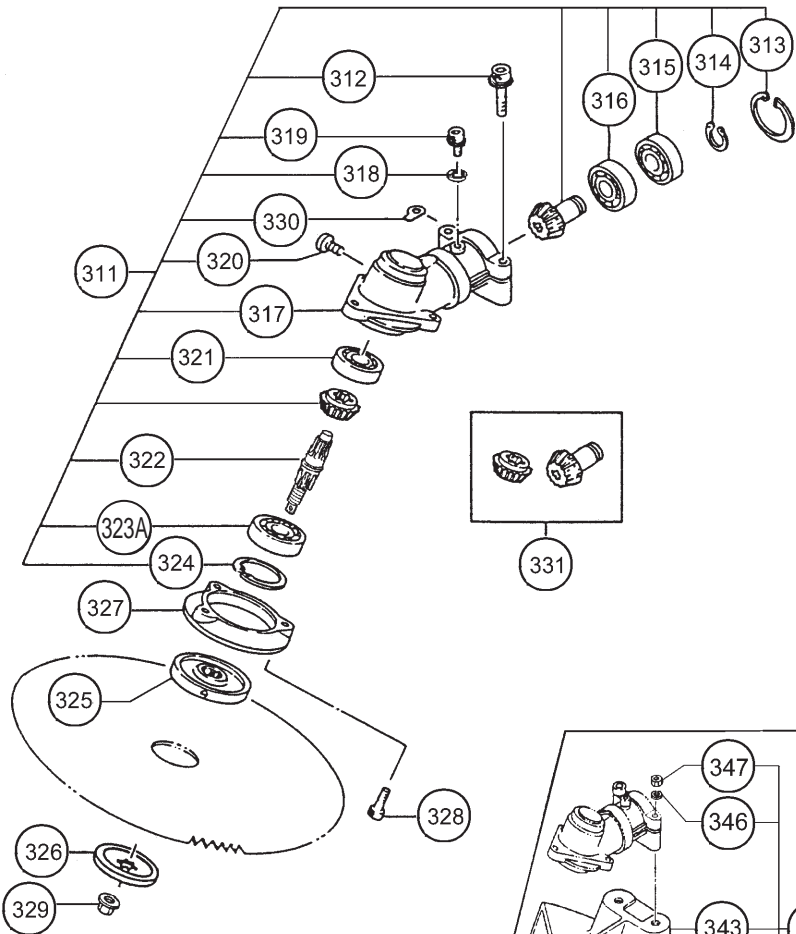


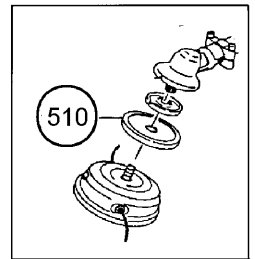
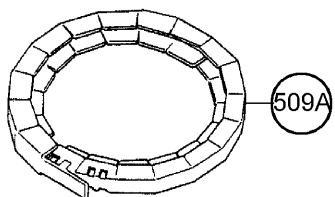
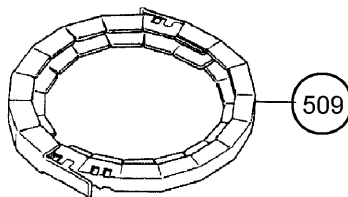
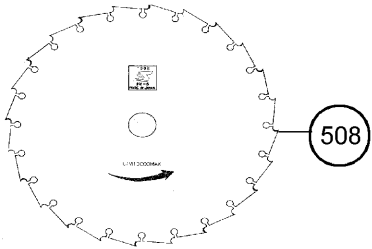
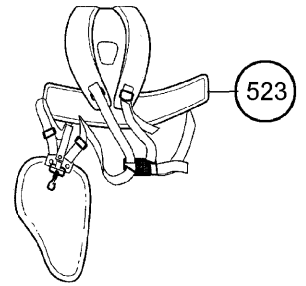
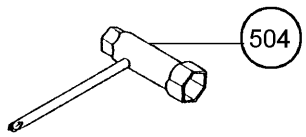
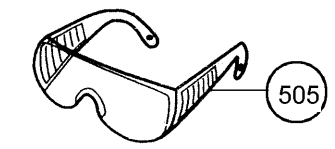
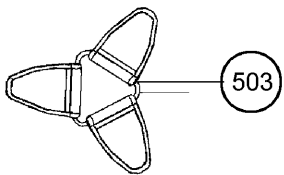
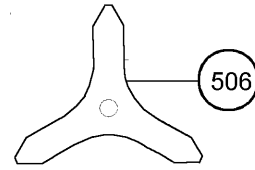
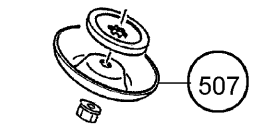
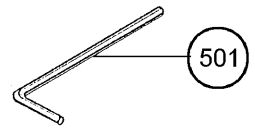
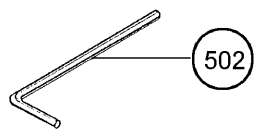
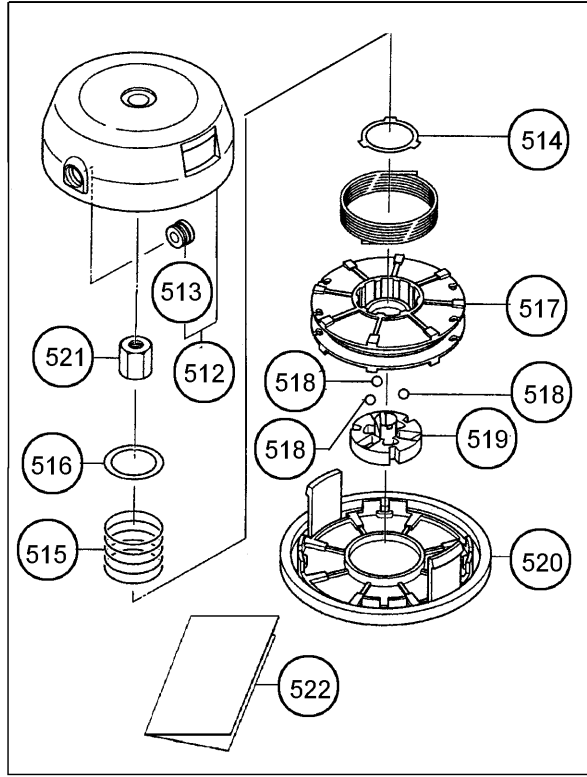












**CG 40EYA(TP)**

601

*Pure Fire*

*Low Emission Two-Stroke Engine*

**Hitachi Koki**  
MADE IN JAPAN

602

*Pure Fire*<sup>TM</sup>

603