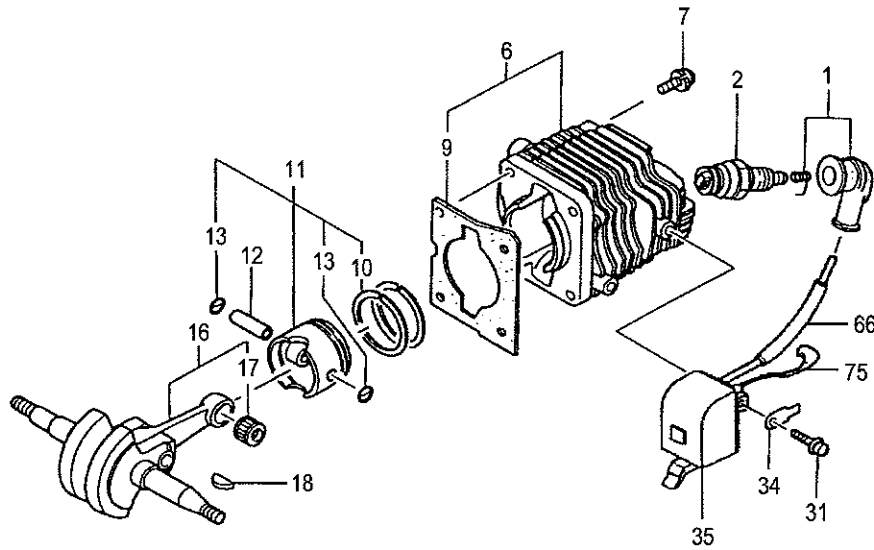


C17

CS30EG(S)

Serial No.

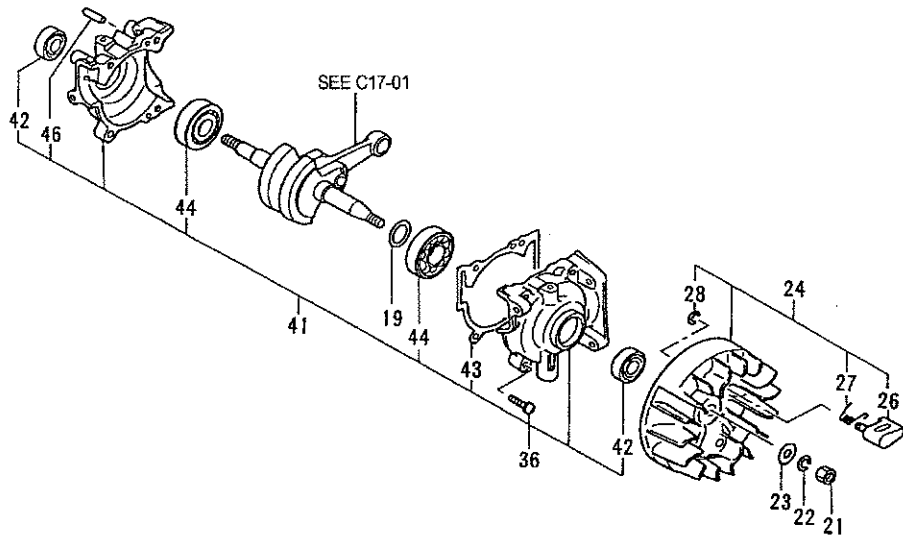
C17-01 CS30EG(S) CYLINDER/PISTON/CRANK SHAFT



REF. NUMBER	PARTS NUMBER	DESCRIPTION	Q'TY	SERIAL NUMBER
001	668-747	SPARK PLUG CAP ASS'Y	1	
002	668-576	SPARK PLUG RCJ-8	1	
006	668-545	CYLINDER SET	1	
007	668-490	HEX.HOLE BOLT M5X16/S	4	
009	668-572	CYLINDER GASKET	1	
010	668-508	PISTON RING	2	
011	668-587	PISTON SET	1	
012	668-600	PISTON PIN	1	
013	668-507	CIRCLIP	2	
016	668-617	CRANK SHAFT COMP.	1	
017	669-559	NEEDLE BRG F-910 1.4X8.5	1	
018	668-489	WOODRUFF KEY 3X13X4.5	1	
031	669-540	HIGH TENSION SCREW 4X18W	2	
034	668-806	TAB	1	
035	668-770	IGNITION COIL COMP.	1	
066	669-290	CORD INSULATOR TUBE	1	
075	668-783	CORD, B 70M	1	

C17-02

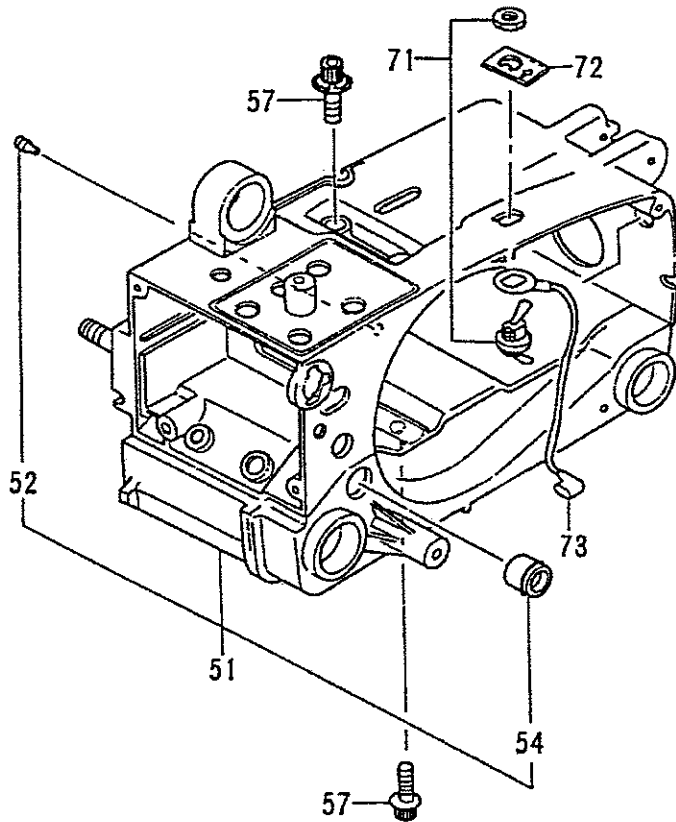
CS30EG(S) CRANK CASE



REF. NUMBER	PARTS NUMBER	DESCRIPTION	QTY	SERIAL NUMBER
019	668-6474	SHIM 0.1	V	
019	668-5098	SHIM S T0.2	V	
019	668-5099	SHIM S T0.3	V	
019	668-6475	SHIM 0.4	V	
021	668-5104	FLYWHEEL NUT	1	
022	669-5222	S.WASHER 7	1	
023	668-5103	BOLT WASHER M7	1	
024	668-7394	MAGNETO ROTOR ASS'Y	1	
026	668-5106	STARTER PAWL	2	
027	668-5105	STARTER PAWL SPRING	2	
028	668-5101	D4E RETAINING RING	2	
036	668-4668	HEX.HOLE BOLT M5X20/S	4	
041	668-6523	CRANK CASE ASS'Y	1	
042	668-4607	OIL SEAL TB 12227	2	
043	668-6701	CRANK CASE GASKET	1	
044	668-5096	BALL BEARING 6201 A2C3	2	
046	668-5095	NEEDLE ROLLER 2.5X9.8	1	

C17-03

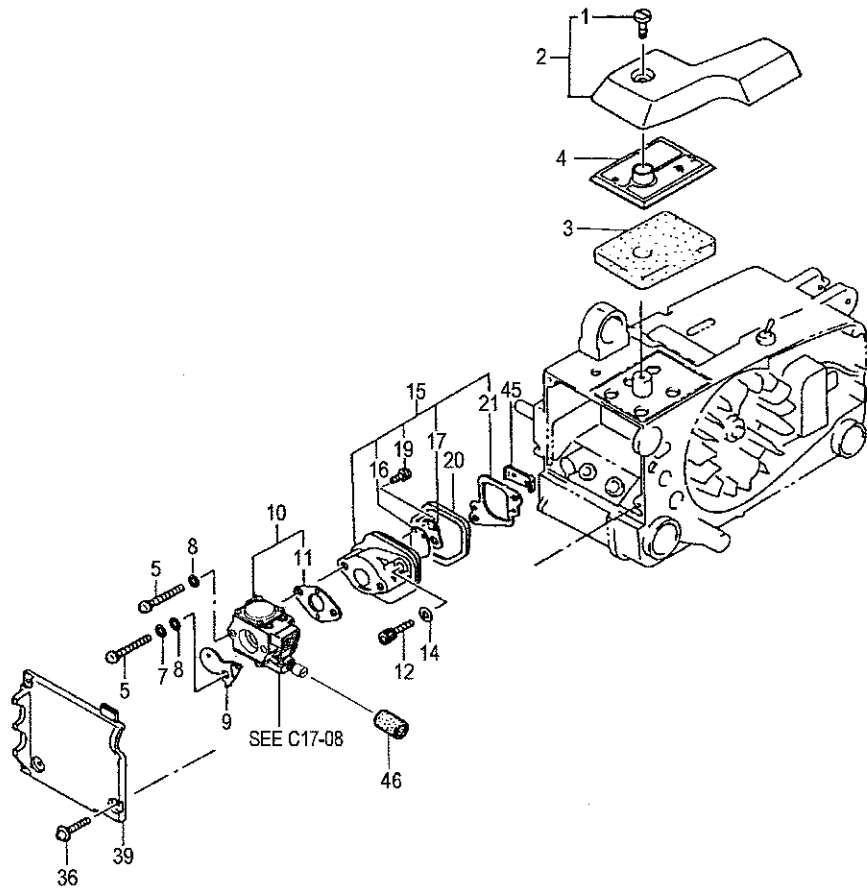
CS30EG(S) ENGINE CASE



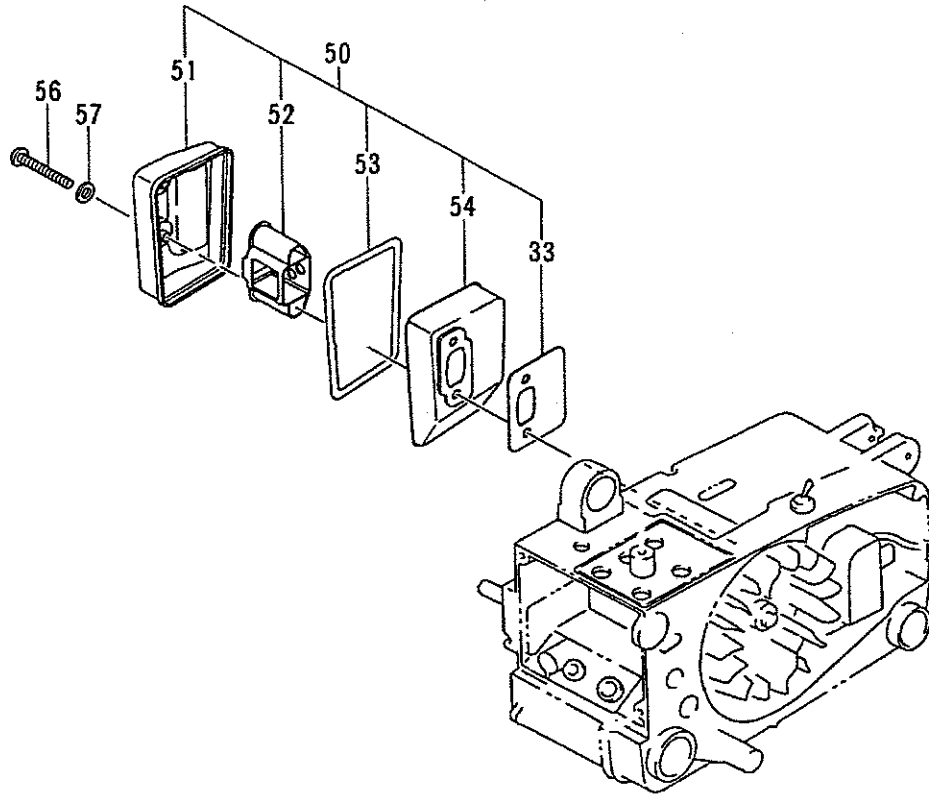
REF. NUMBER	PARTS NUMBER	DESCRIPTION	Q'TY	SERIAL NUMBER
051	669-1365	ENGINE CASE ASS'Y, VERMILION	1	
052	668-5173	AIR VENT VALVE (B)	1	
054	669-2164	AIR VENT VALVE SET	1	
057	668-4634	HEX.HOLE BOLT 5X20/PS	4	
071	668-7502	STOP SWITCH ASS'Y	1	
072	668-7949	SWITCH NAME PLATE	1	
073	668-8444	EARTH CORD COMP.	1	

C17-04

CS30EG(S) AIR CLEANER



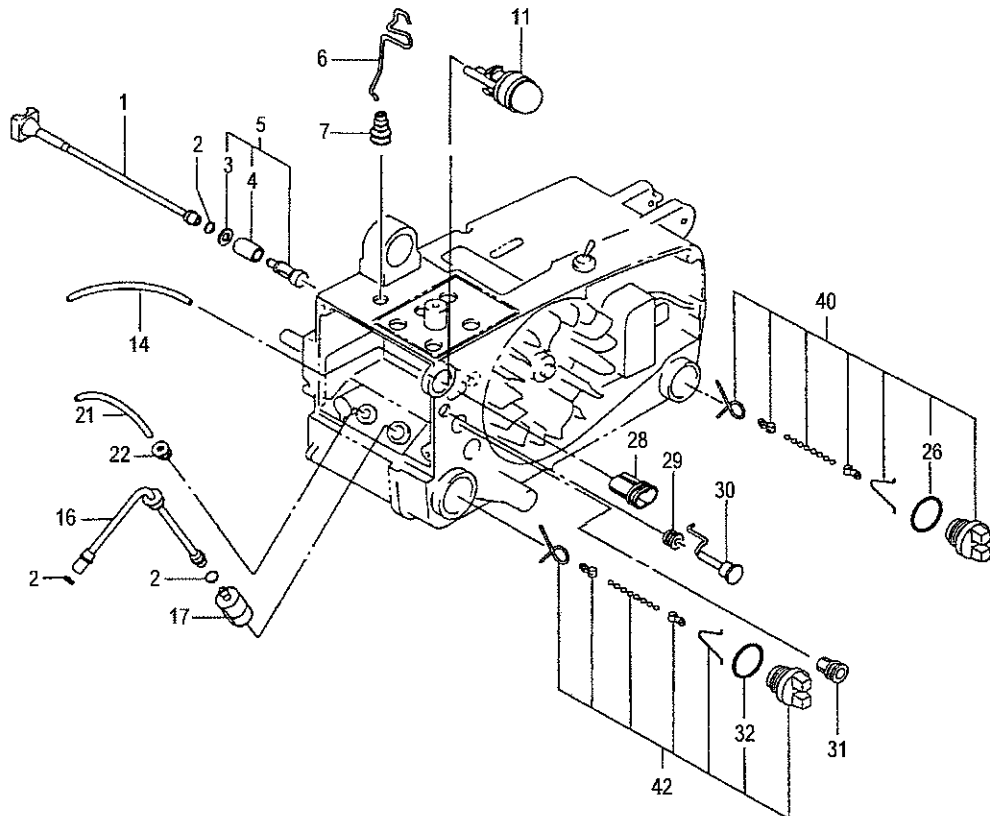
REF. NUMBER	PARTS NUMBER	DESCRIPTION	Q'TY	SERIAL NUMBER
001	668-9735	CLEANER COVER BOLT	1	
002	668-6302	CLEANER COVER	1	
003	669-0355	AIRCLEANER SPONGE	1	
004	669-0064	AIRCLEANER ELEMENT COMP.	1	
005	669-5350	SCREW 5X45S	2	
007	668-4864	SMALL WASHER 5	1	
008	669-2596	CHOKE SHIM 0.8	2	
009	669-2410	CHOKE VALVE	1	
010	669-0667	CARBURETOR SET,WT-760	1	
011	668-9826	CARBURETOR GASKET	1	
012	668-4668	HEX.HOLE BOLT M5X20/S	2	
014	668-4864	SMALL WASHER 5	2	
015	668-9935	INSULATOR SET	1	
016	668-9803	REED VALVE	1	
017	668-9806	VALVE HOLDER	1	
019	669-4964	BINDING HEAD SCREW 3X12	2	
020	669-0001	CARBURETOR INSULATOR RUBBE	1	
021	668-9871	INSULATOR GASKET	1	
036	668-5152	TAPPING SCREW D4.5X14	3	
039	668-7344	AIRCLEANER COVER B	1	
045	668-7182	SEAL COVER	1	
046	668-5224	IDLE SPONGE	1	

C17-05**CS30EG(S) MUFFLER**

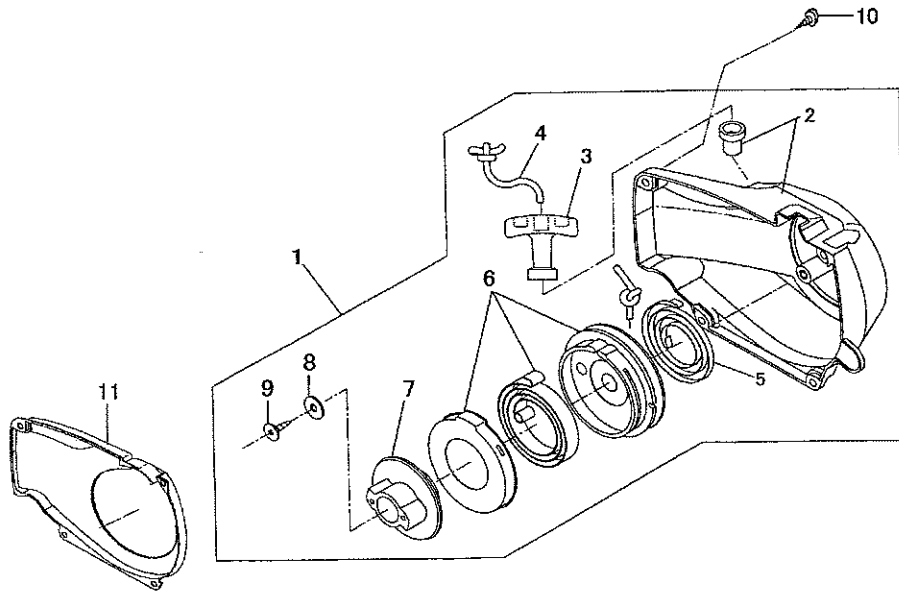
REF. NUMBER	PARTS NUMBER	DESCRIPTION	Q'TY	SERIAL NUMBER
033	669-2734	MUFFLER GASKET	1	
050	669-2447	MUFFLER SET	1	
051	669-2627	MUFFLER BODY B COMP.	1	
052	669-2677	MUFFLER FITTING METAL	1	
053	669-2833	MUFFLER COUPLING GASKE	1	
054	669-2607	MUFFLER BODY A COMP.	1	
056	669-4906	SCREW 5X40	2	
057	668-4661	WASHER 5	2	

C17-06

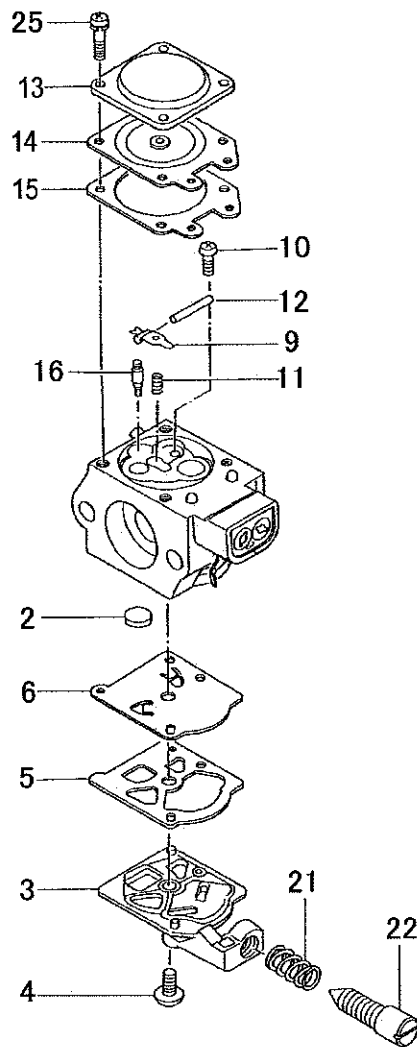
CS30EG(S) FUEL/OIL FILTER



REF. NUMBER	PARTS NUMBER	DESCRIPTION	Q'TY	SERIAL NUMBER
001	669-1121	OIL PIPE B	1	
002	669-2312	CLIP 7	3	
003	668-4661	WASHER 5	1	
004	669-0919	OIL FILTER	1	
005	668-5249	OIL FILTER BODY ASS'Y	1	
006	669-0974	THROTTLE ROD	1	
007	669-0982	THROTTLE GUIDE	1	
011	668-5139	PRIMING PUMP COMP.	1	
014	668-5138	FUEL PIPE 2.5X4X42	1	
016	669-2292	RUBBER PIPE	1	
017	668-5199	PUMP FILTER BODY	1	
021	669-2351	FUEL PIPE 2.5X4X150	1	
022	668-4627	RETURN GROMMET	1	
026	669-5672	O-RING P-18	1	
028	668-7957	ADJUSTER CAP	1	
029	669-2590	GROMMET	1	
030	669-2513	CHOKE BUTTON COMP.	1	
031	668-7976	GROMMET	1	
032	669-5673	O-RING P-20	1	
040	669-2159	OIL TANK CAP ASS'Y	1	
042	669-2121	TANK CAP ASS'Y	1	

C17-07**CS30EG(S) RECOIL STARTER**

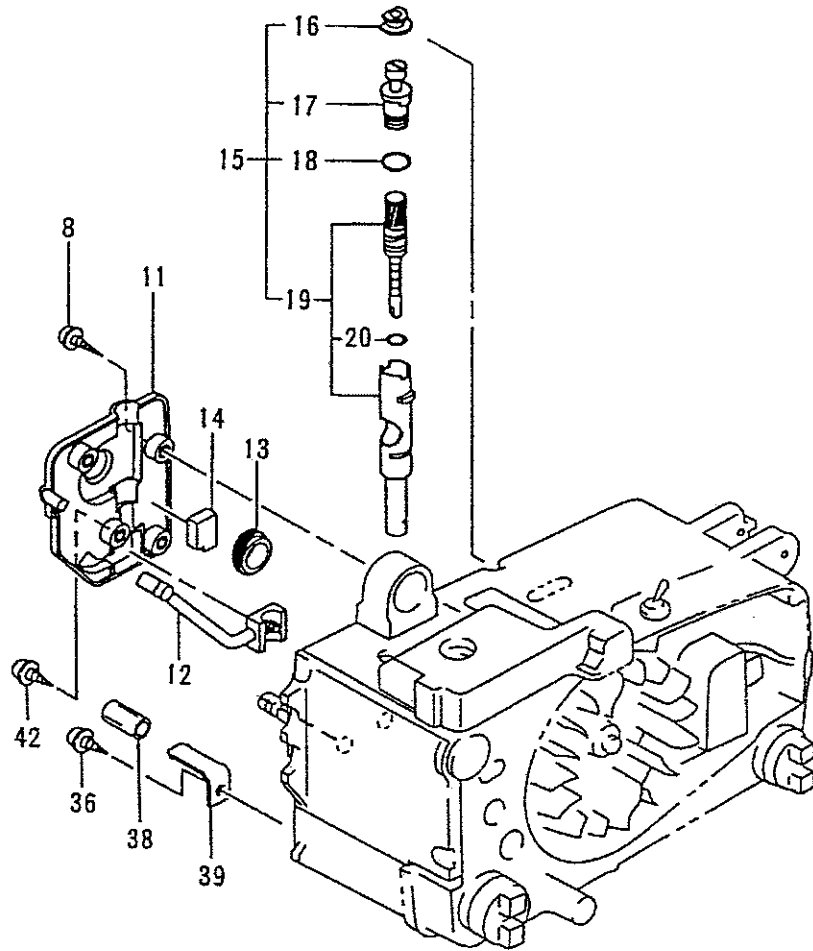
REF. NUMBER	PARTS NUMBER	DESCRIPTION	Q'TY	SERIAL NUMBER
001	669-2909	RECOIL STARTER ASS'Y OF	1	
002	668-6950	FAN CASE COMP. OR	1	
003	669-3240	STARTER HANDLE	1	
004	669-3174	RECOIL ROPE	1	
005	669-3138	RECOIL SPRING	1	
006	669-3094	SPRING CASE ASS'Y	1	
007	669-3061	STARTER PULLY	1	
008	668-7947	SPECIAL WASHER 5.2X15	1	
009	668-5275	TAPPING SCREW D5X14	1	
010	668-5191	TAPPING SCREW D4.5X20	4	
011	668-7326	AIR DEFLECTOR	1	

C17-08**CS30EG(S) CARBURETOR**

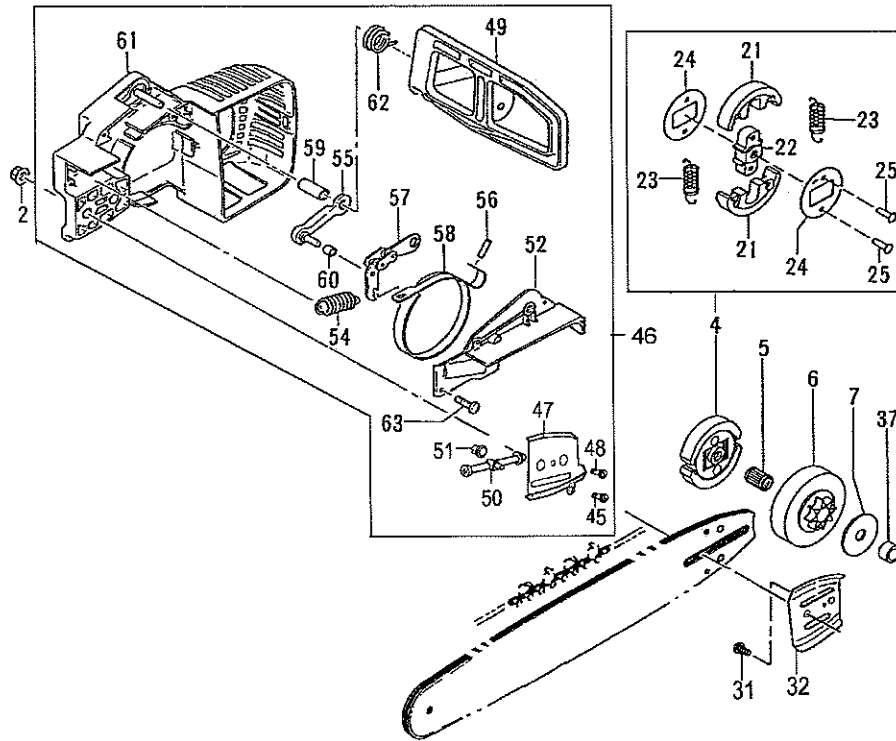
REF. NUMBER	PARTS NUMBER	DESCRIPTION	Q'TY	SERIAL NUMBER
002	668-4700	INLET SCREEN	1	
003	669-1416	PUMP BODY	1	
004	668-5210	SCREW	1	
005	668-5212	PUMP GASKET	1	
006	668-5213	PUMP DIAPHRAGM	1	
009	668-5217	CONTROL LEVER	1	
010	668-5218	HINGE PIN SET SCREW	1	
011	669-0873	VALVE SPRING	1	
012	668-5219	HINGE PIN	1	
013	668-5222	DIAPHRAGM COVER	1	
014	669-0827	METERING DIAPHRAGM COMP.	1	
015	668-5220	DIAPHRAGM PACKING	1	
016	668-5215	NEEDLE VALVE	1	
021	668-5297	IDLE ADJUST SPRING	1	
022	668-5298	IDLE ADJUST SCREW	1	
025	668-5223	SET SCREW	4	

C17-09

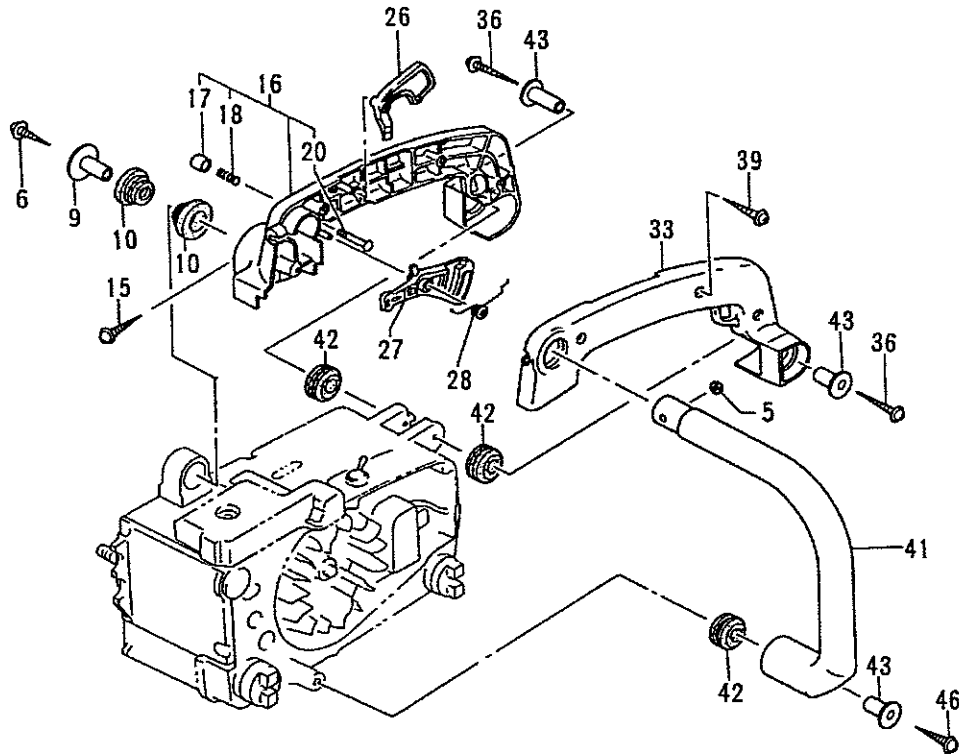
CS30EG(S) OIL PUMP



REF. NUMBER	PARTS NUMBER	DESCRIPTION	Q'TY	SERIAL NUMBER
008	669-5416	SCREW 5X14/WS	2	
011	668-6763	OIL PUMP COVER	1	
012	669-1223	OIL PIPE A	1	
013	668-6645	SCREW GEAR	1	
014	669-1400	AIR VENT SPONGE	1	
015	668-7324	OIL PUMP ASS'Y	1	
016	669-0956	OIL ADJUST GROMMET	1	
017	669-1070	OIL PUMP ADJUSTER	1	
018	669-5663	O-RING P-6	1	
019	668-6681	OIL PUMP CASE SET, SPARE	1	
020	669-5663	O-RING P-6	1	
036	668-5275	TAPPING SCREW D5X14	1	
038	668-5154	FUEL PIPE	1	
039	668-5155	CHAIN CATCHER	1	
042	668-5152	TAPPING SCREW D4.5X14	2	

C17-10**CS30EG(S) CLUTCH/CHAIN BRAKE**

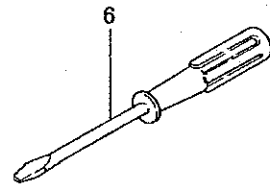
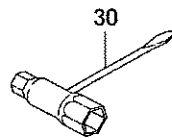
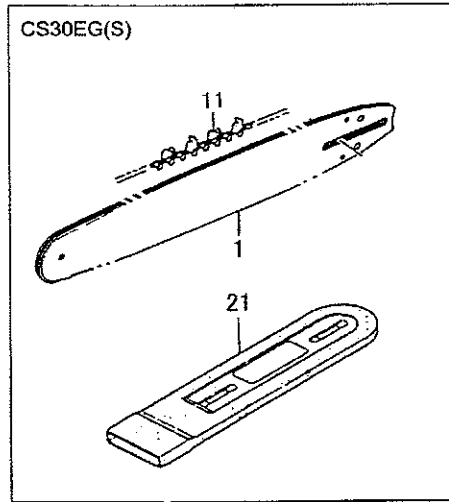
REF. NUMBER	PARTS NUMBER	DESCRIPTION	Q'TY	SERIAL NUMBER
002	668-5166	NUT	1	
004	668-8559	CLUTCH COMP.	1	
005	668-5143	NEEDLE BEARING	1	
006	668-5144	CLUTCH HOUSING COMP.	1	
007	668-5145	CLUTCH WASHER	1	
021	668-9491	CLUTCH SHOE	2	
022	668-9496	CLUTCH BOSS	1	
023	668-9424	CLUTCH SPRING	2	
024	668-9527	CLUTCH PLATE A	2	
025	669-5240	RIVET 4X14	2	
031	668-5161	TAPPING SCREW D4X10	1	
032	669-0733	GUIDE PLATE A	1	
037	668-5146	CRANK SHAFT COLLAR	1	
045	668-5161	TAPPING SCREW D4X10	1	
046	668-6107	SIDE CASE ASS'Y	1	
047	669-0755	GUIDE PLATE B	1	
048	669-5269	SCREW 2.6X5	1	
049	668-9676	BRAKE HANDLE COMP.	1	
050	668-5169	CHAIN PULLER COMP.	1	
051	668-5168	GEAR (A)	1	
052	668-9712	BRAKE LINK COVER, BLACK	1	
054	668-5167	BRAKE SPRING	1	
055	668-5119	BRAKE SUPPORT PLATE COM	1	
056	668-5141	NEEDLE ROLLER 3X9.8	1	
057	668-5121	BRAKE LINK COMP.	1	
058	668-9728	BRAKE BAND	1	
059	669-0805	CLEANER FIXING COLLAR	1	
060	668-5120	COLLAR	1	
061	668-6045	SIDE CASE COMP.	1	
062	668-5122	BRAKE LEVER SPRING	1	
063	668-5148	TAPPING SCREW D4X15	3	

C17-11**CS30EG(S) HANDLE**

REF. NUMBER	PARTS NUMBER	DESCRIPTION	Q'TY	SERIAL NUMBER
005	669-5163	NYLON LOCK NUT 4	1	
006	669-5108	TAPPING SCREW 5X40	1	
009	668-8480	DAMPER COLLAR A	1	
010	668-8117	DAMPER A	2	
015	669-5378	SCREW 4X30PS	1	
016	668-5645	REAR HANDLE B COMP.	1	
017	669-2680	PUSH PIN CAP	1	
018	668-6447	STOPPER SPRING	1	
020	668-6430	PUSH PIN	1	
026	668-8363	SAFETY LEVER	1	
027	668-6392	THROTTLE LEVER	1	
028	668-6416	THROTTLE LEVER SPRING	1	
033	668-5620	REAR HANDLE	1	
036	669-5107	TAPPING SCREW 5X35	2	
039	668-5148	TAPPING SCREW D4X15	3	
041	668-8083	FRONT HANDLE	1	
042	668-8412	DAMPER B	3	
043	668-8485	DAMPER COLLAR B	3	
046	669-5107	TAPPING SCREW 5X35	1	

C17-12

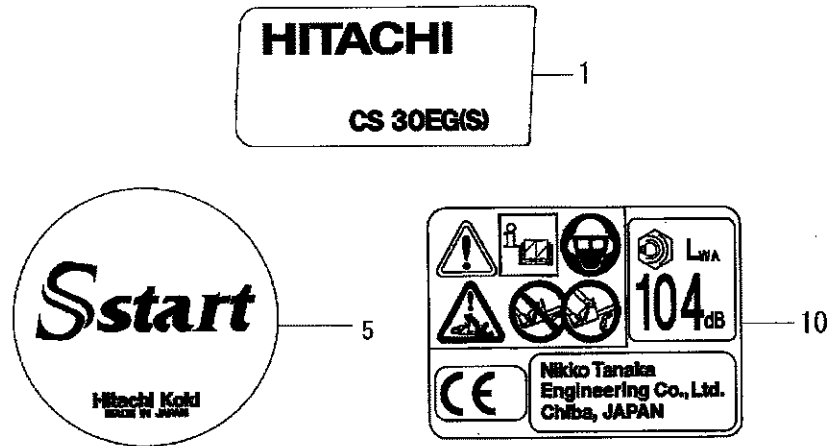
CS30EG(S) COVER/CHAIN/CHAIN BAR



REF. NUMBER	PARTS NUMBER	DESCRIPTION	Q'TY	SERIAL NUMBER
001	668-5294	CHAIN BAR 12 INCH 3/8 SP	1	
006	668-6632	4X50 MINUS DRIVER	1	
011	668-5170	SAW CHAIN (3/8X12") 91VG	1	
021	668-5255	CHAIN COVER 12"	1	
030	668-5257	COMBI BOX SPANNER 10/19	1	

C17-13

CS30EG(S) LABELS



REF. NUMBER	PARTS NUMBER	DESCRIPTION	Q'TY	SERIAL NUMBER
001	669-4408	NAME PLATE CS30EG(S)	1	
005	669-4470	STARTER MARK HITACH	1	
010	669-4446	CAUTION MARK A(ECS)	1	