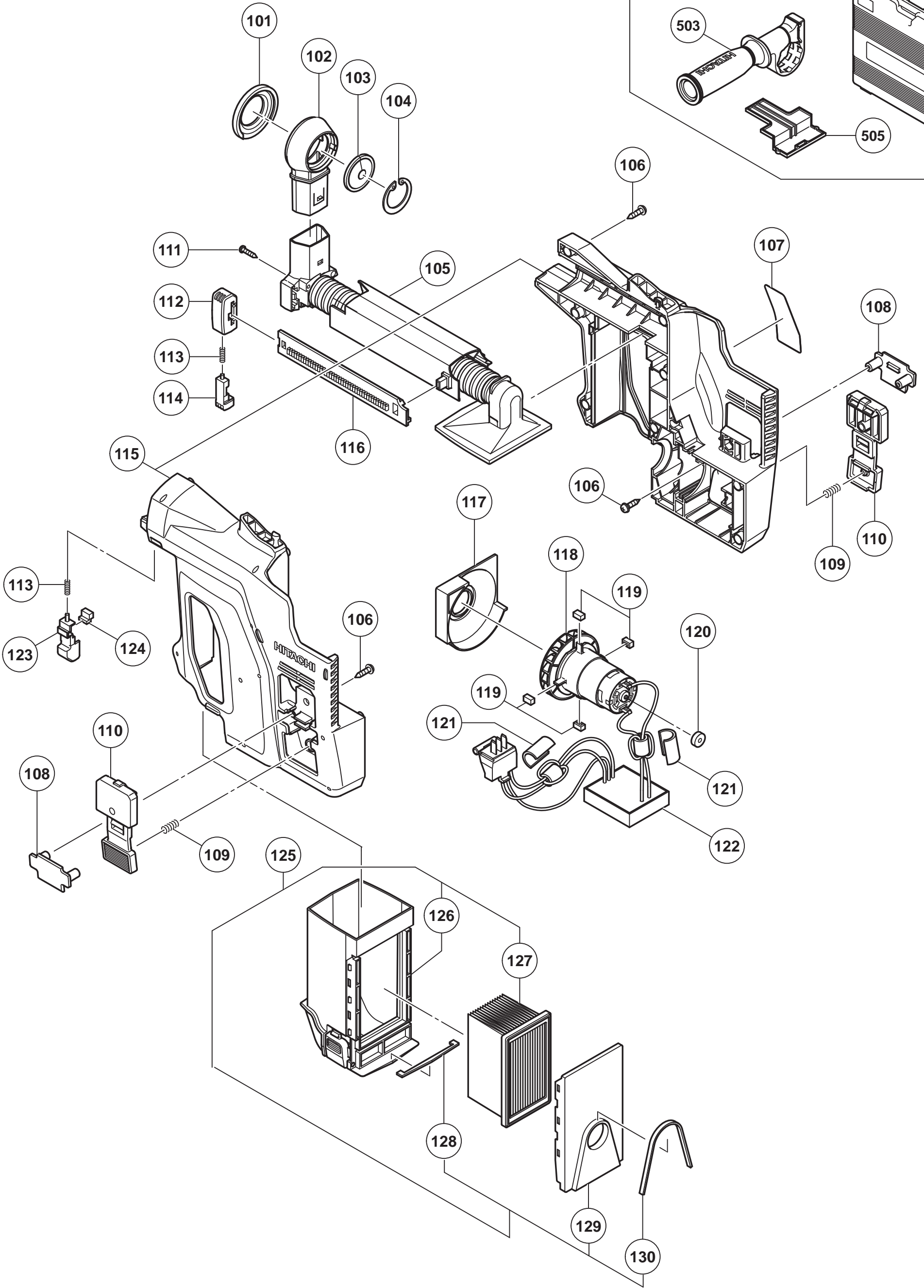


MODEL
DH36DBDL(1/2)



MODEL
DH36DBDL(2/2)