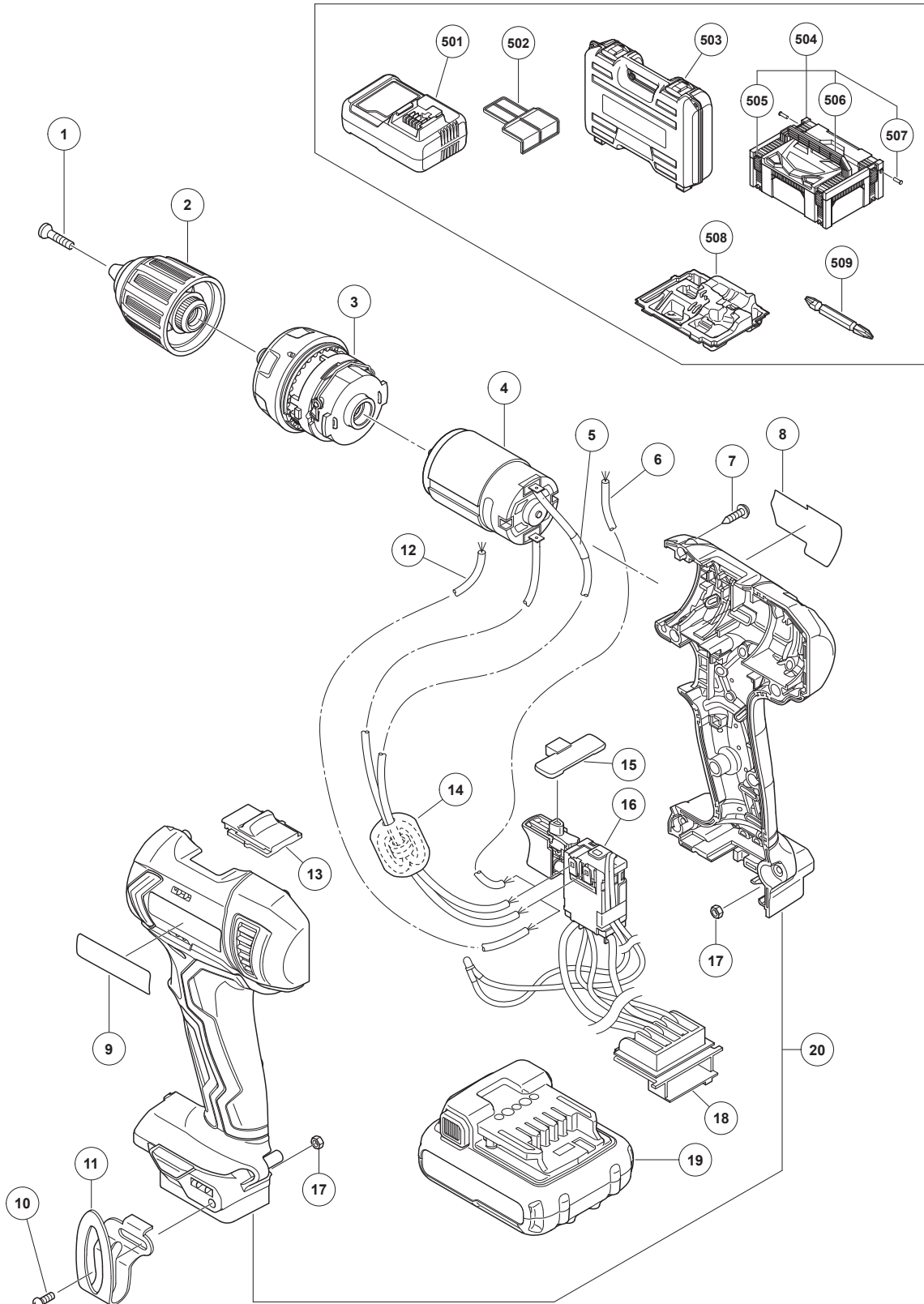


ELECTRIC TOOL PARTS LIST

CORDLESS DRIVER DRILL
Model DS 12DA

2019 · 4 · 25
(E1)



PARTS

DS 12DA

ITEM NO.	CODE NO.	DESCRIPTION	NO. USED	REMARKS	
1	337426	LEFT-HAND HEXALOBULAR M5	1		
2	337390	DRILL CHUCK 10TLRM-N (W/O CHUCK WRENCH)	1		
3	374938	GEAR BOX (D)	1		
4	374937	MOTOR DC 12V	1		
5	375587	TUBE	1		
*	6	375588	INTERNAL WIRE (RED) L110	1	EXCEPT FOR EUROPE,RUS
	7	313687	TAPPING SCREW (W/FLANGE) D3 X 16 (BLACK)	8	
	8		NAME PLATE	1	
	9		BRAND LABEL	1	
*	10	337357	TRUSS HD. SCREW M4 (BLACK)	1	FOR EUROPE
*	11	372229	HOOK	1	FOR EUROPE
*	12	375589	INTERNAL WIRE (BLACK) L80	1	EXCEPT FOR EUROPE,RUS
	13	374382	SHIFT KNOB	1	
*	14	375590	INTERNAL WIRE FERRITE SET	1	FOR EUROPE,RUS
	15	329548	PUSHING BUTTON (A)	1	
	16	374935	DC-SPEED CONTROL SWITCH	1	
	17	327002	LOCK NUT M4 (BLACK)	2	
	18	374387	BATTERY TERMINAL	1	
*	19	374954	BATTERY BSL 1225M (EUROPE)	2	INCLUD.502
*	19	374955	BATTERY BSL 1225M (THA)	2	INCLUD.502
*	19	375346	BATTERY BSL 1225M (CHN)	2	INCLUD.502
	20	374934	HOUSING (A).(B) SET	1	INCLUD.17

STANDARD ACCESSORIES

ITEM NO.	CODE NO.	DESCRIPTION	NO. USED	REMARKS
501		CHARGER (MODEL UC 12SL)	1	
502	374778	BATTERY COVER	1	
503	336642	CASE	1	
504	336471	CASE ASS'Y (STACKABLE 2)	1	INCLUD.505-507
505	336472	LATCH	4	
506	336473	HANDLE	1	
507	336474	HINGE	2	
508	374779	INNER TRAY	1	
509	983006	+ DRIVER BIT NO.2 65L	1	