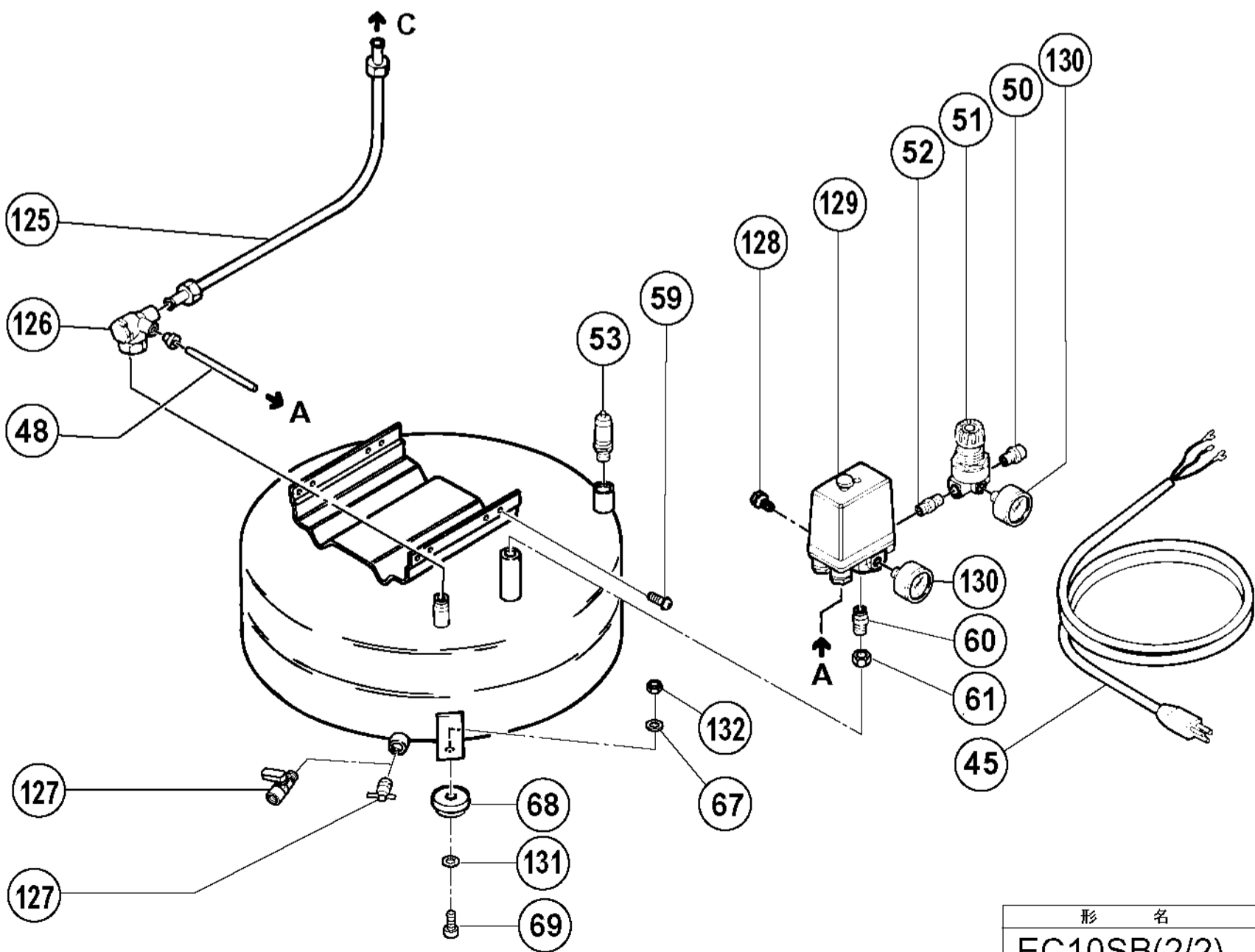
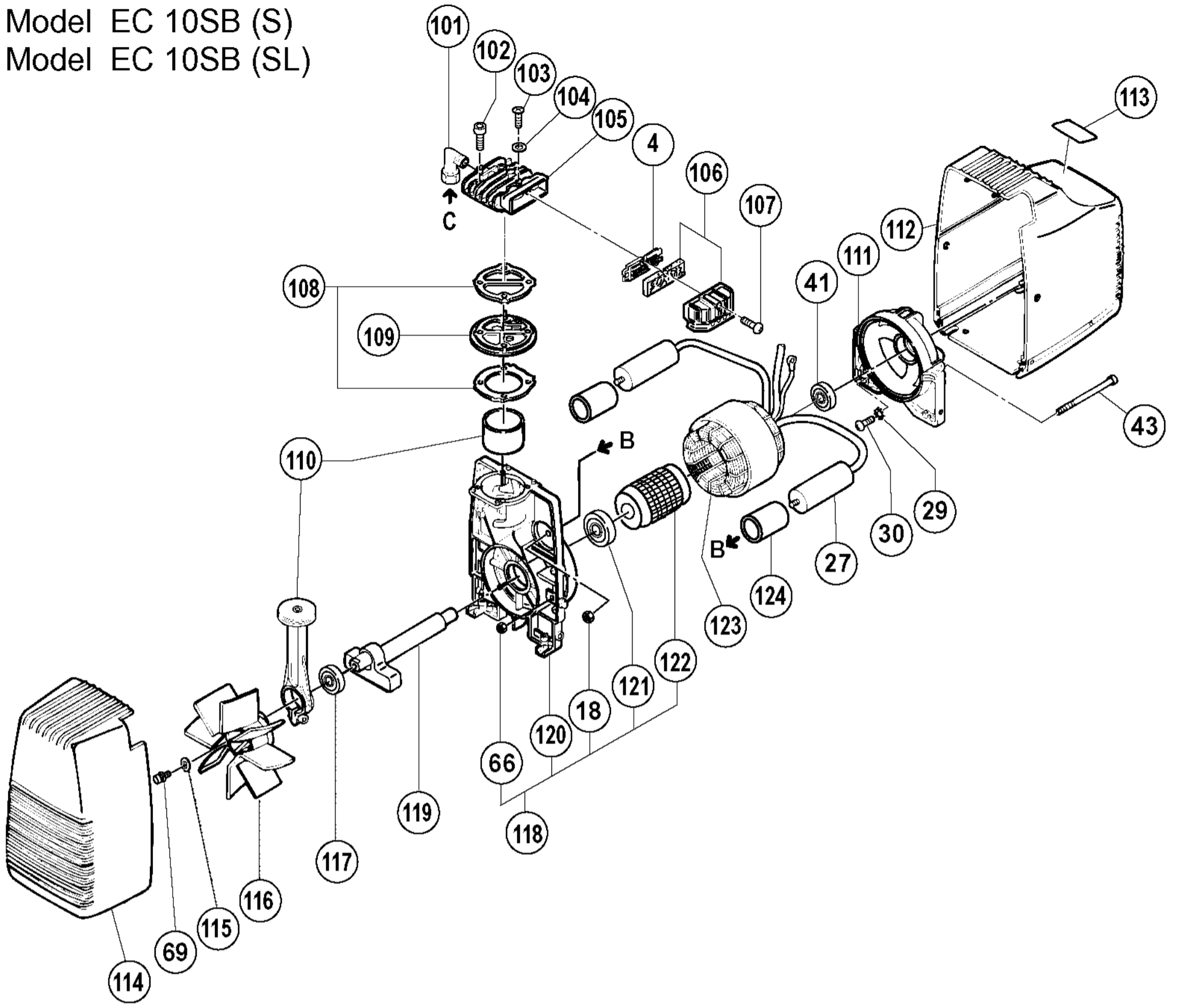


|             |  |  |
|-------------|--|--|
| 形名          |  |  |
| EC10SB(1/2) |  |  |

Model EC 10SB (S)  
 Model EC 10SB (SL)



|             |  |  |
|-------------|--|--|
| 形名          |  |  |
| EC10SB(2/2) |  |  |