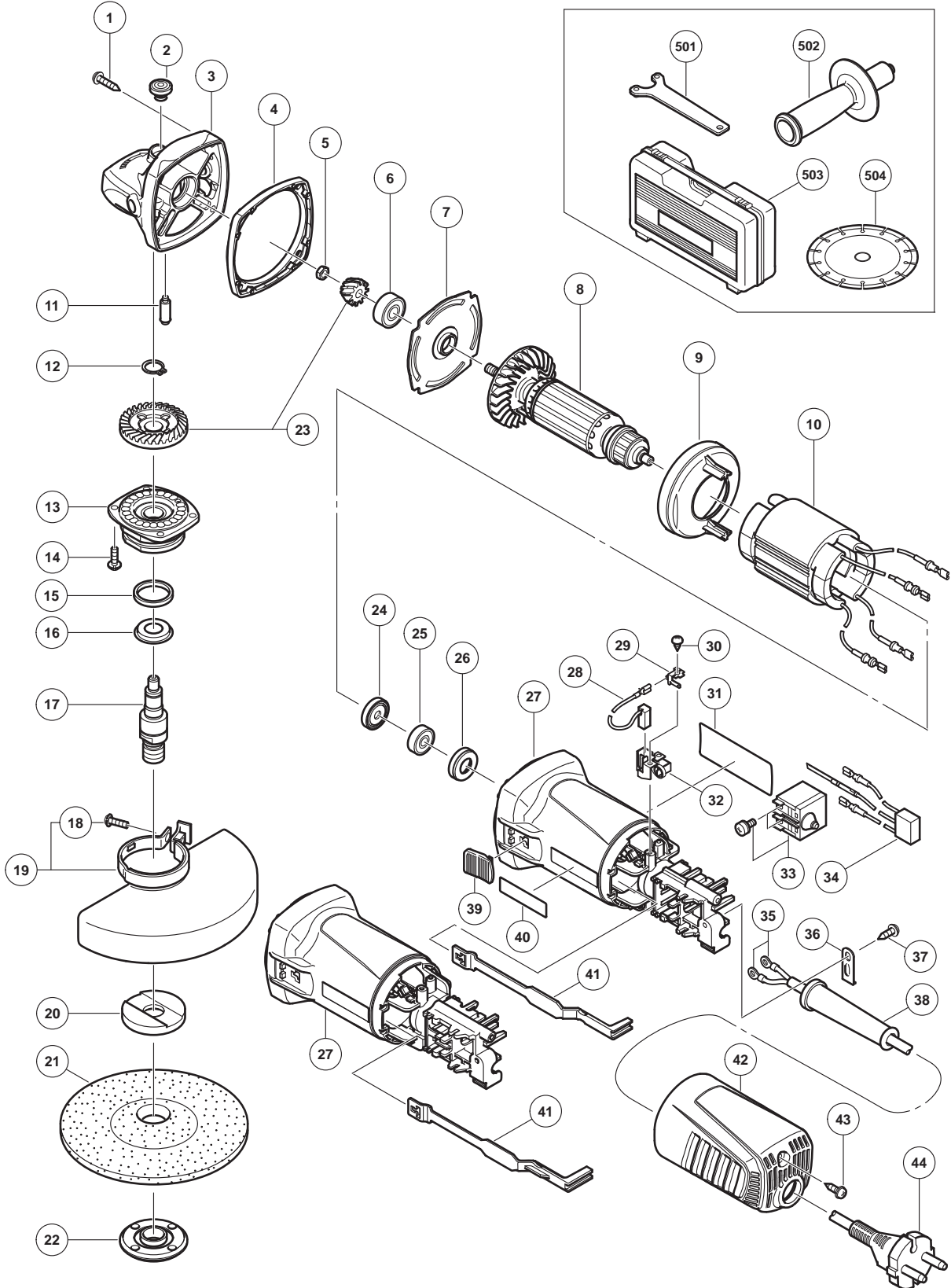


ELECTRIC TOOL PARTS LIST

DISC GRINDER
Model G 13SN2

2018· 4 ·19
(E1)



PARTS

G 13SN2

ITEM NO.	CODE NO.	DESCRIPTION	NO. USED	REMARKS
1	373174	MACHINE SCREW (W/FLANGE) D4 X 28	4	
2	301944	PUSHING BUTTON	1	
3	338332	GEAR COVER ASS'Y	1	INCLUD.2,11
4	373172	SPACER	1	
5	309191	SPECIAL NUT M6	1	
6	338337	BALL BEARING 608SS	1	
7	338850	BEARING HOLDER	1	
* 8	361082B	ARMATURE 110V	1	
* 8	361082E	ARMATURE 220V	1	
* 8	361082F	ARMATURE 230V	1	
* 8	361082G	ARMATURE 240V	1	
9	338853	FAN GUIDE	1	
* 10	340997B	STATOR 110V-120V	1	
* 10	340997D	STATOR 220V	1	
* 10	340997E	STATOR 230V-240V	1	
11	301943	LOCK PIN	1	
12	316487	RETAINING RING FOR D11 SHAFT	1	
13	338849	PACKING GLAND	1	
14	328628	SEAL LOCK SCREW (W/WASHER) M4 X 12	4	
15	373384	FELT PACKING	1	
16	373383	FRINGER	1	
17	373292	SPINDLE	1	
18	308386	MACHINE SCREW (W/SP. WASHER) M5 X 16 (BLACK)	1	
19	338845	WHEEL GUARD ASS'Y	1	INCLUD.18
20	937817Z	WHEEL WASHER	1	
* 21	316822	D. C. WHEELS 125MM A36Q (25 PCS.)	1	EXCEPT FOR RUS
22	339579	WHEEL NUT M14	1	
23	339265	GEAR AND PINION SET	1	
24	321722	DUST SEAL	1	
25	339145	BALL BEARING 626ZZ	1	
26	309929	RUBBER BUSHING	1	
* 27	339140	HOUSING	1	
* 27	370018	HOUSING	1	FOR EUROPE,GBR
28	999067	CARBON BRUSH 6.5 X 7.5 X 14 (1 PAIR)	2	
29	339185	TAB TERMINAL	2	
30	328210	TAPPING SCREW D3 X 8	4	
31		NAME PLATE	1	
32	333844	BRUSH HOLDER	2	
* 33	339149	PUSHING BUTTON SWITCH	1	
* 33	373298	PUSHING BUTTON SWITCH 230V	1	FOR EUROPE,GBR (230V)
* 33	373299	PUSHING BUTTON SWITCH 110V	1	FOR GBR (110V)
* 34	373290	NOISE SUPPRESSOR	1	EXCEPT FOR INA,SIN,IND
35	980063	TERMINAL	2	
36	338334	CORD CLIP	1	
37	305720	TAPPING SCREW (W/FLANGE) D4 X 12	1	
38	953327	CORD ARMOR D8.8	1	
39	338854	SLIDE SWITCH KNOB	1	
40		BRAND LABEL	1	
* 41	338855	SLIDE BAR	1	
* 41	370023	SLIDE BAR	1	FOR EUROPE, GBR

PARTS

G 13SN2

ITEM NO.	CODE NO.	DESCRIPTION	NO. USED	REMARKS
* 42	339141	TAIL COVER	1	
* 42	370019	TAIL COVER	1	FOR EUROPE,GBR
43	305812	TAPPING SCREW (W/FLANGE) D4 X 16 (BLACK)	1	
* 44	500409Z	CORD	1	(CORD ARMOR D8.8)
* 44	500436Z	CORD	1	(CORD ARMOR D8.8) FOR SIN,GBR (230V)
* 44	500439Z	CORD	1	(CORD ARMOR D8.8) FOR AUS,NZL
* 44	500247Z	CORD	1	(CORD ARMOR D8.8) FOR EUROPE
* 44	500461Z	CORD	1	(CORD ARMOR D8.8) FOR GBR (110V)
* 44	500468Z	CORD	1	(CORD ARMOR D8.8) FOR CHN

STANDARD ACCESSORIES

ITEM NO.	CODE NO.	DESCRIPTION	NO. USED	REMARKS
501	938332Z	WRENCH	1	
502	318312	SIDE HANDLE	1	
* 503	339263	CASE	1	FOR EUROPE,AUS,NZL
* 504		DIAMOND CUTTER 125MM-D22.2 HOLE	1	FOR EUROPE,RUS SUPPLIED WITH ITEM NO.601

OPTIONAL ACCESSORIES

ITEM NO.	CODE NO.	DESCRIPTION	NO. USED	REMARKS
* 601	994325	DIAMOND WHEEL (SEGMENT) 125MM-D22.2 HOLE	1	FOR EUROPE,RUS
602	314062	SANDING DISCS 125MM C-P16 (10 PCS.)	1	
603	314063	SANDING DISCS 125MM C-P20 (10 PCS.)	1	
604	314064	SANDING DISCS 125MM C-P24 (10 PCS.)	1	
605	314065	SANDING DISCS 125MM C-P30 (10 PCS.)	1	
606	314066	SANDING DISCS 125MM C-P36 (10 PCS.)	1	
607	314067	SANDING DISCS 125MM C-P40 (10 PCS.)	1	
608	314068	SANDING DISCS 125MM C-P50 (10 PCS.)	1	
609	314069	SANDING DISCS 125MM C-P60 (10 PCS.)	1	
610	314070	SANDING DISCS 125MM C-P80 (10 PCS.)	1	
611	314071	SANDING DISCS 125MM C-P100 (10 PCS.)	1	
612	314072	SANDING DISCS 125MM C-P120 (10 PCS.)	1	
613	937826Z	WASHER NUT	1	
614	937825Z	RUBBER PAD	1	