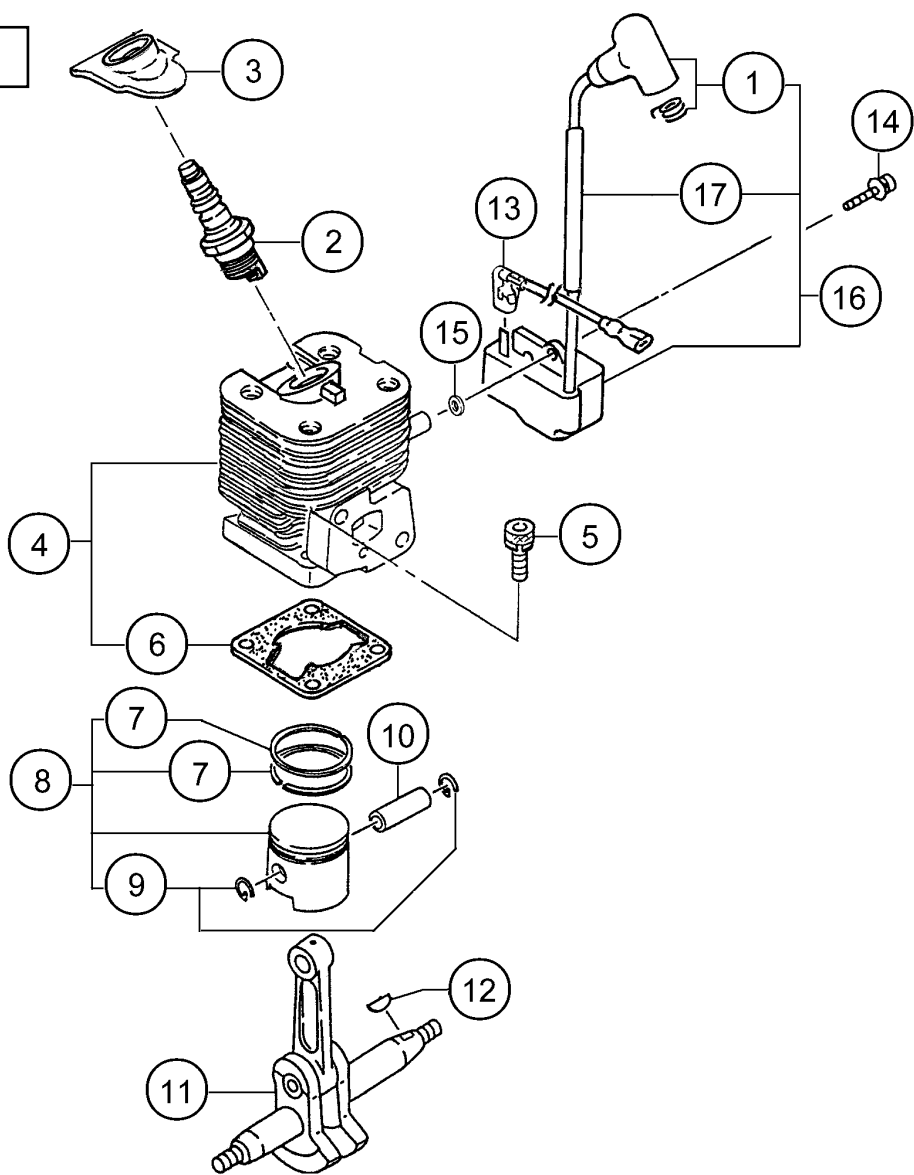
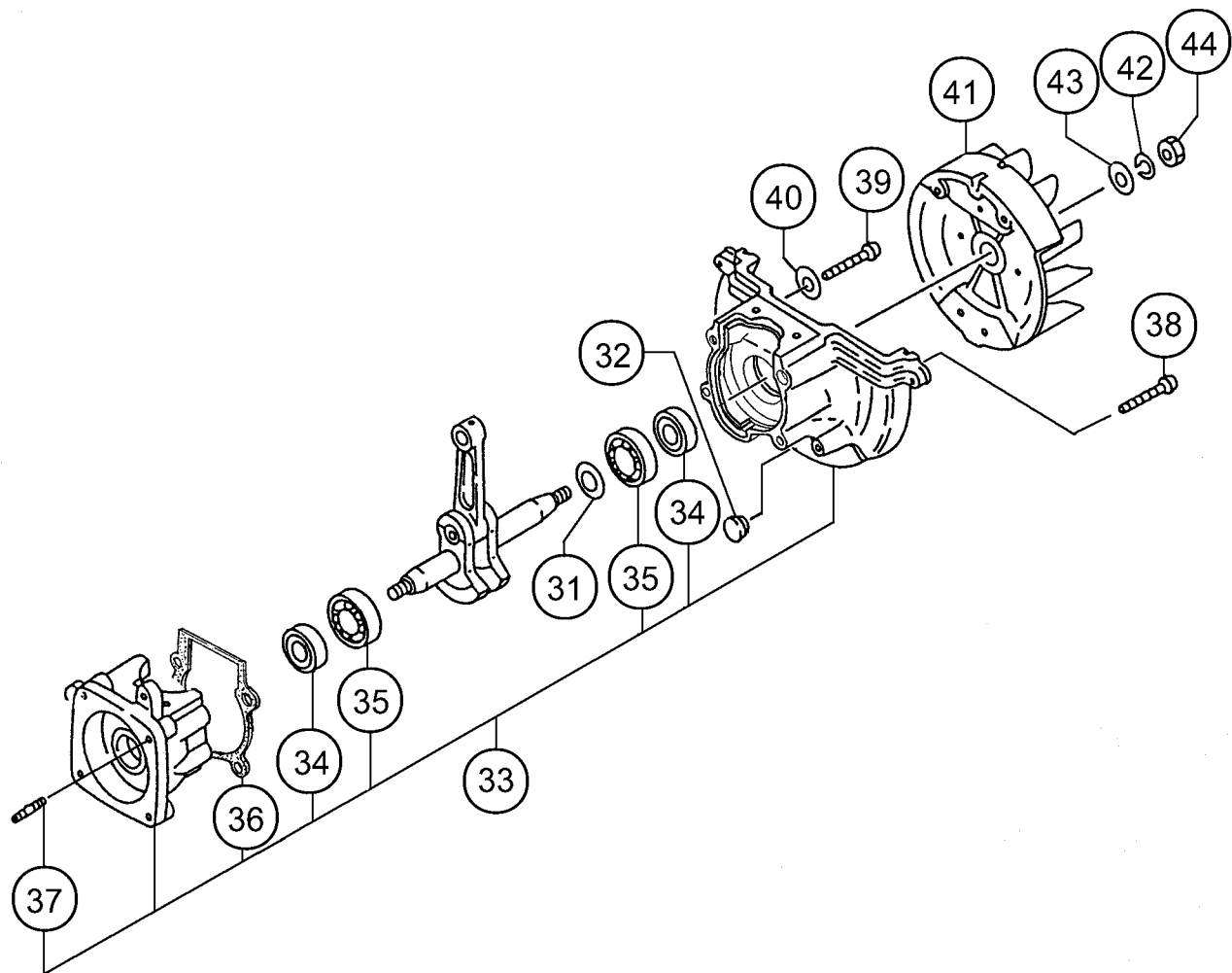
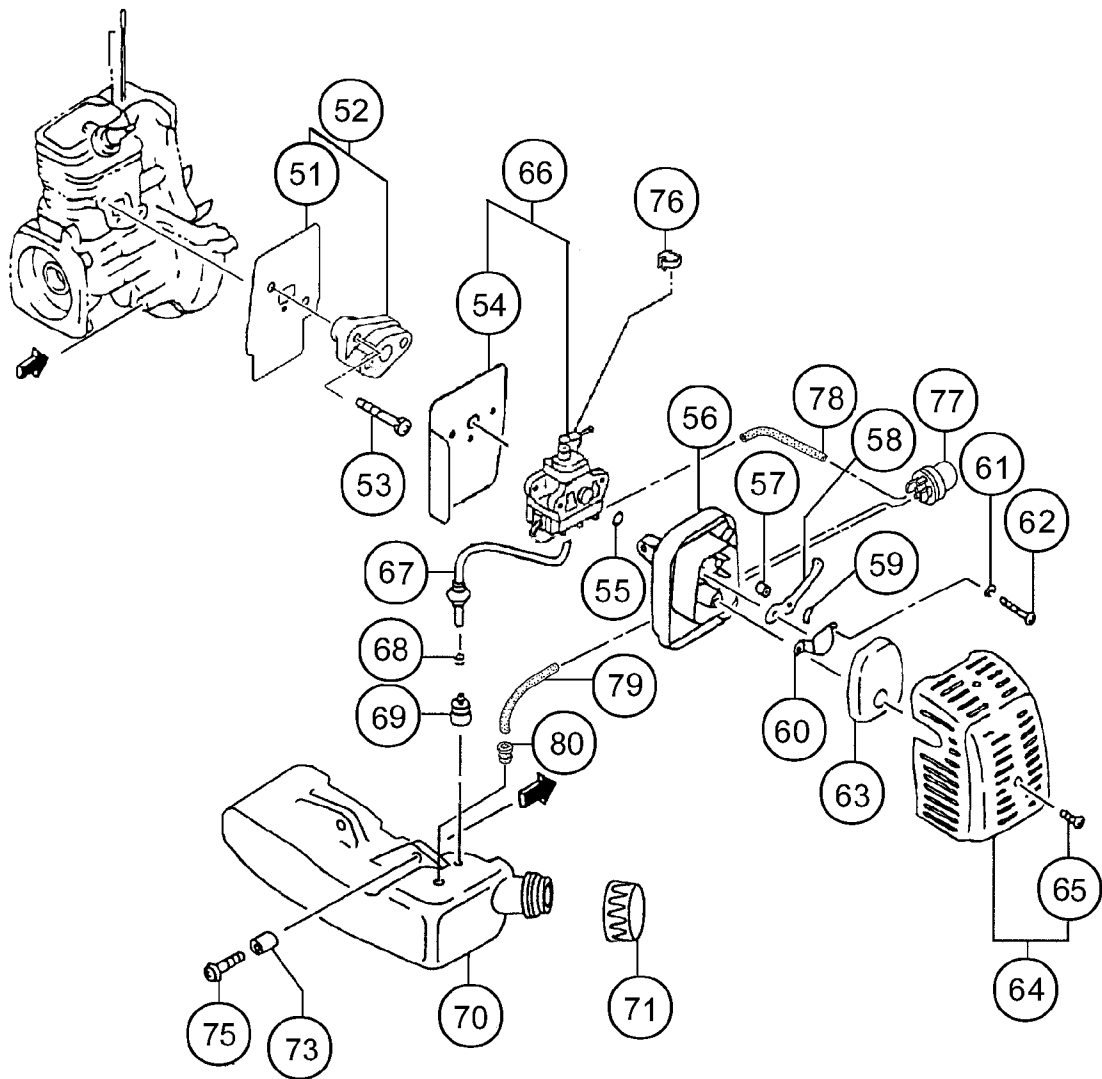
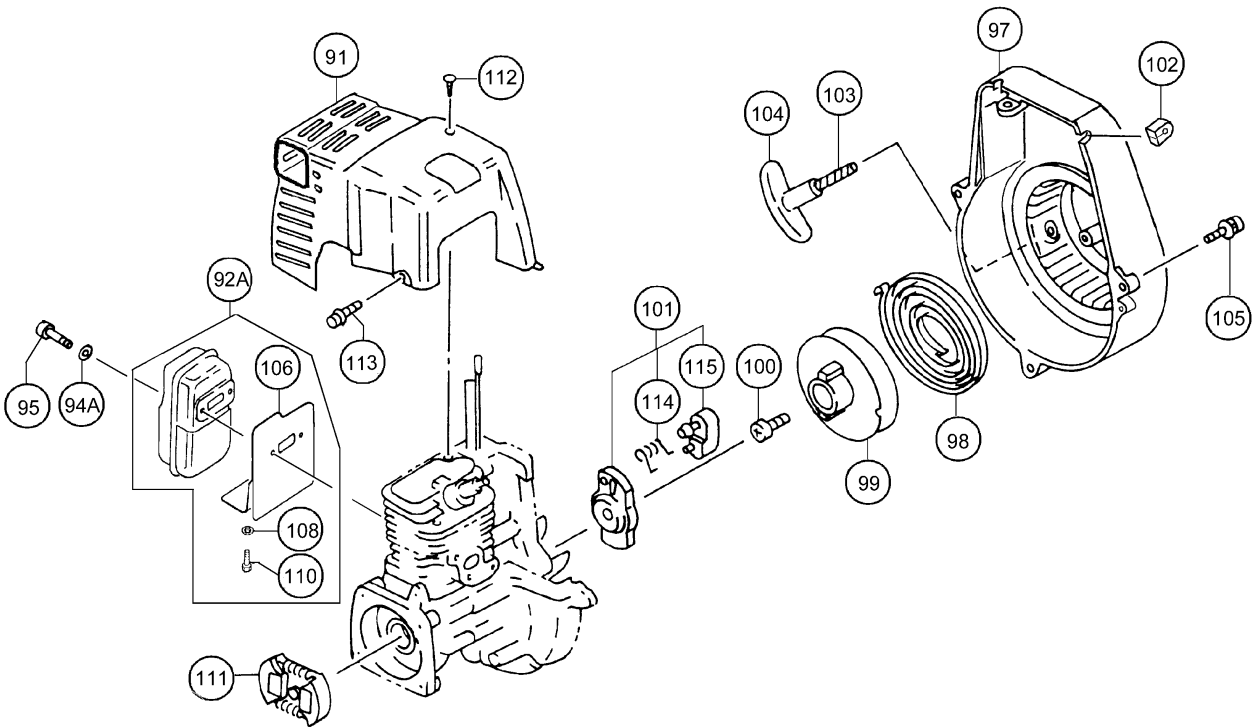


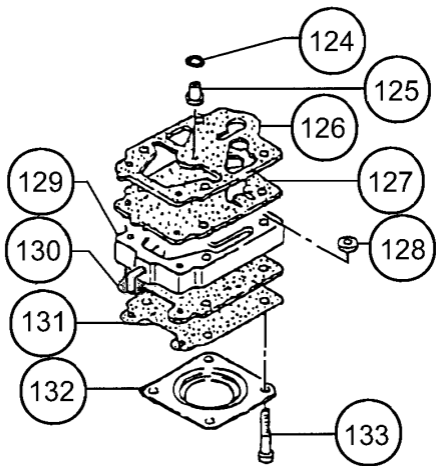
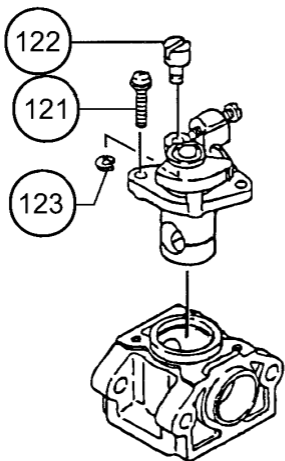
HTD-2526PFA

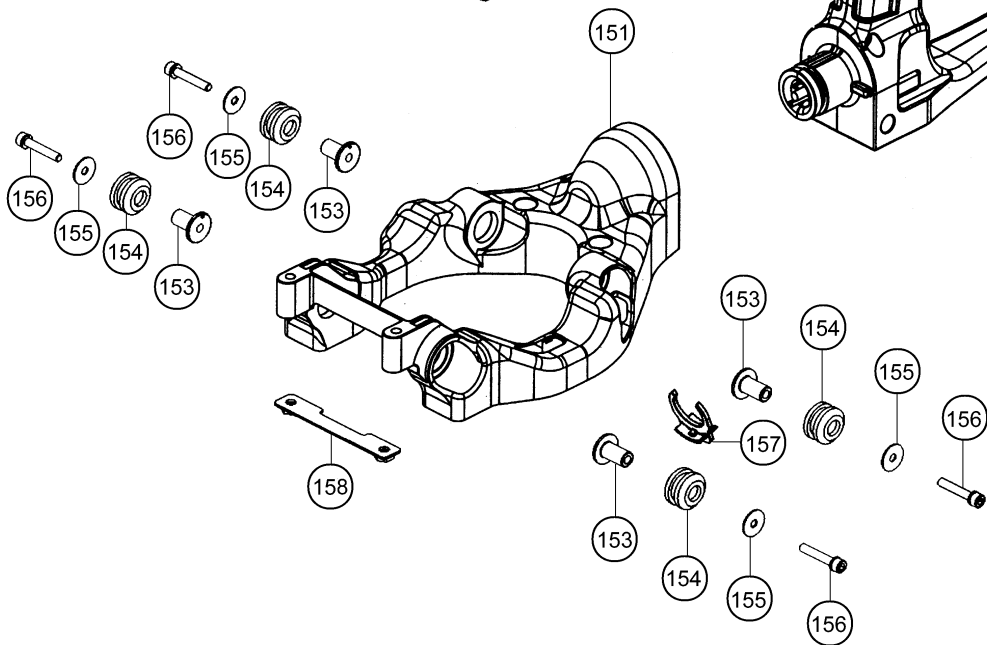
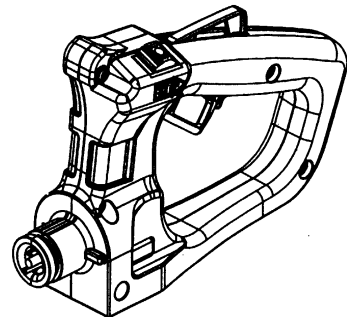
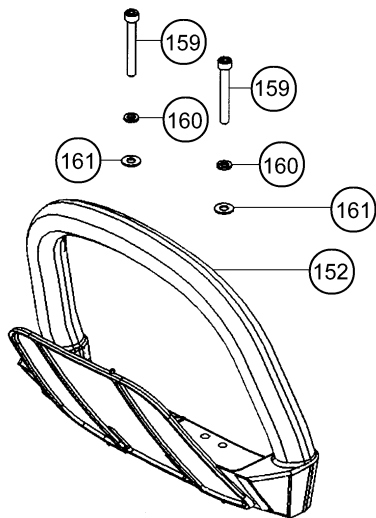


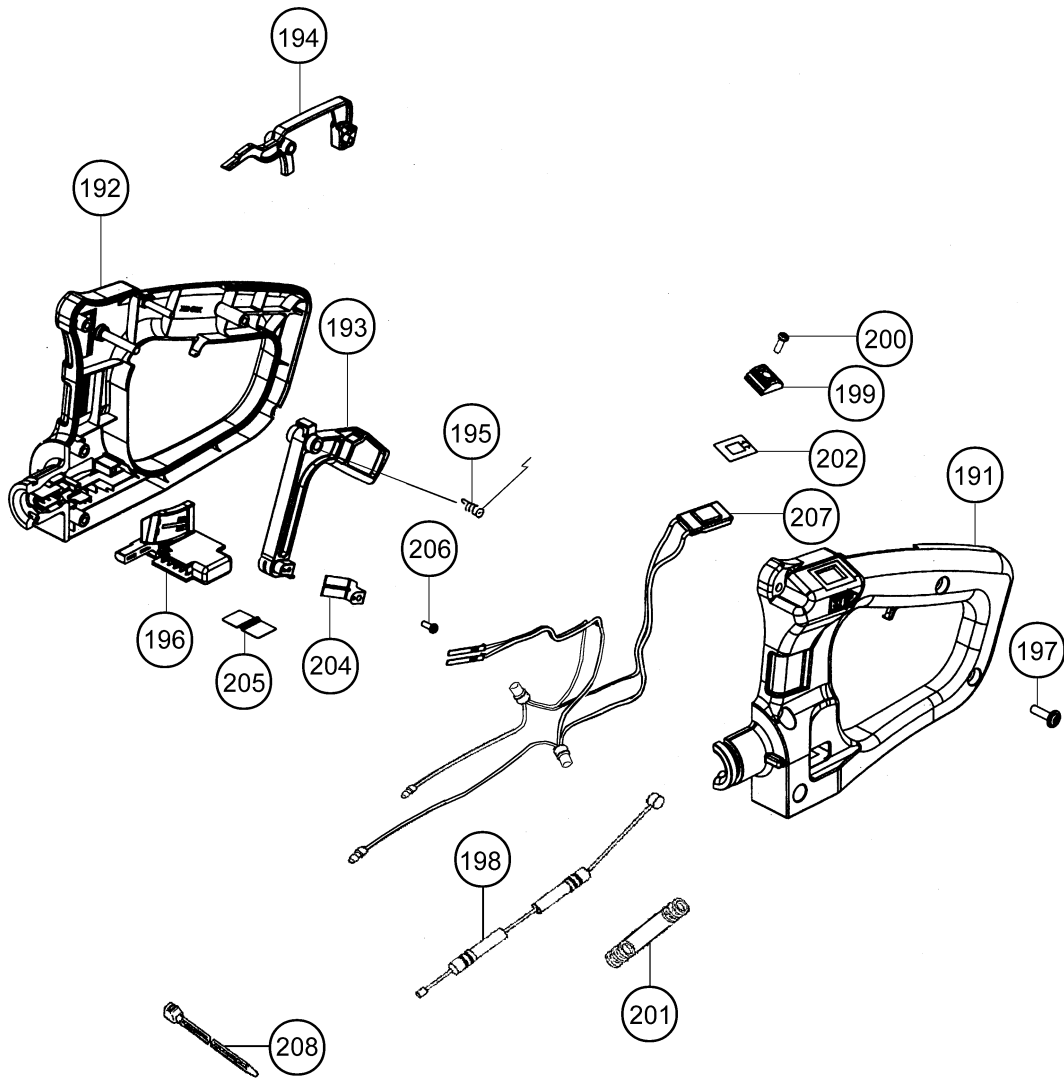


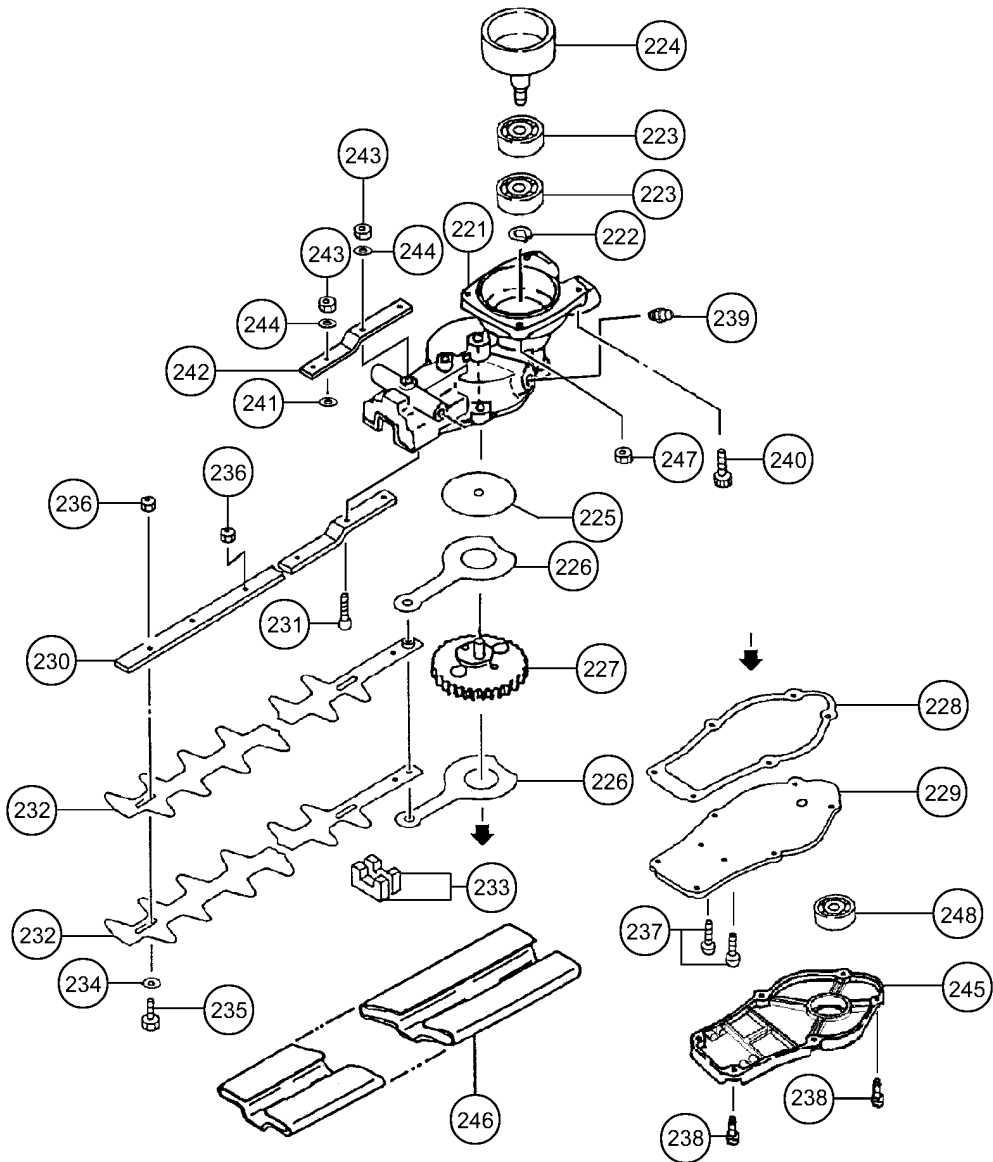












Pure Fire

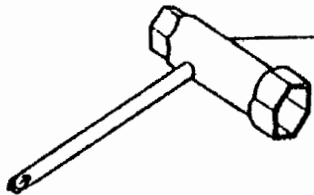
Low Emission Two-Stroke Engine

HTD-2526PFA

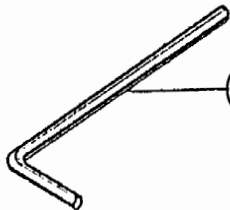
Tanaka

MADE IN JAPAN FABRIQUE AU JAPON

601



501



502