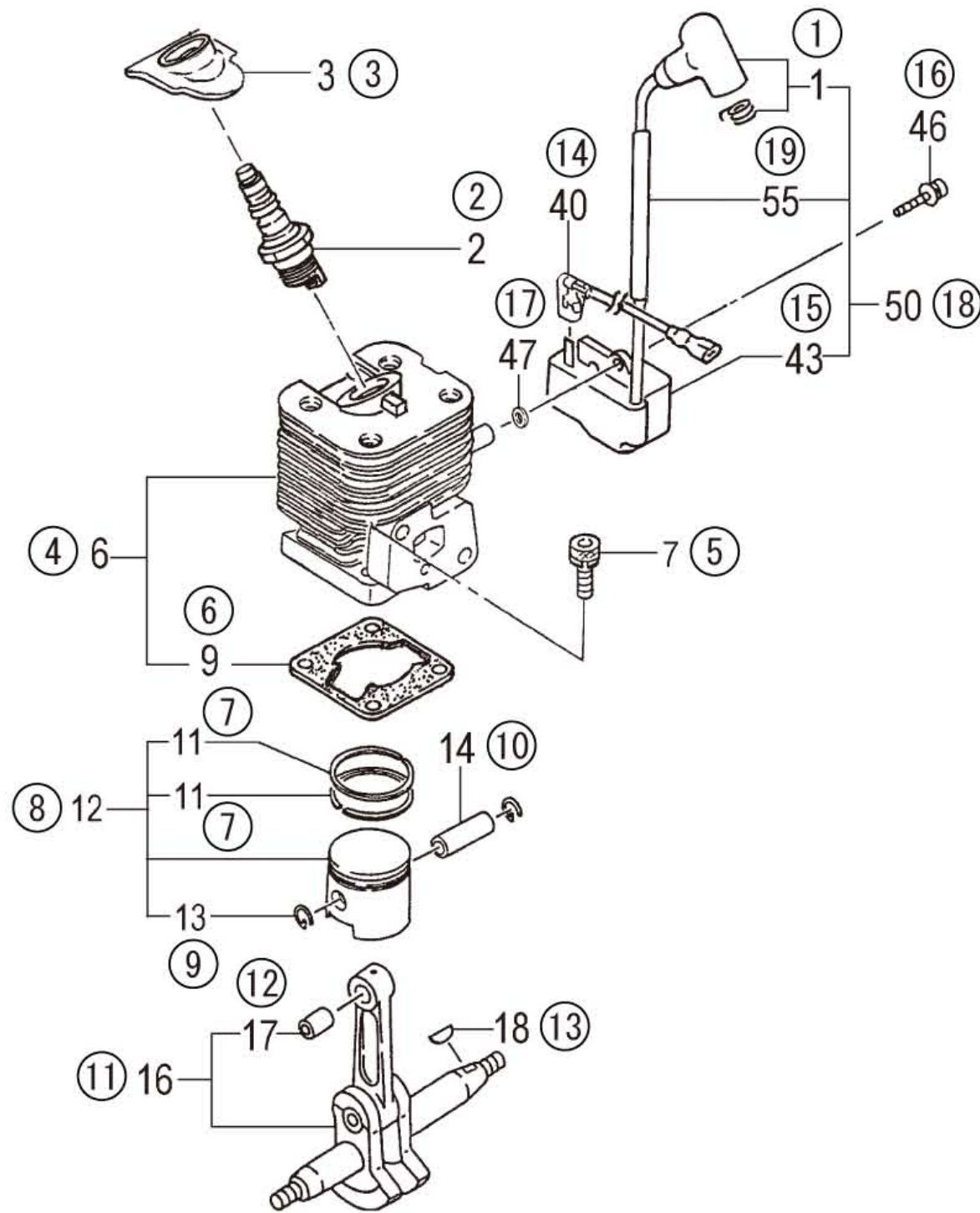


# H28-01 CYLINDER/PISTON/CRANK SHAFT

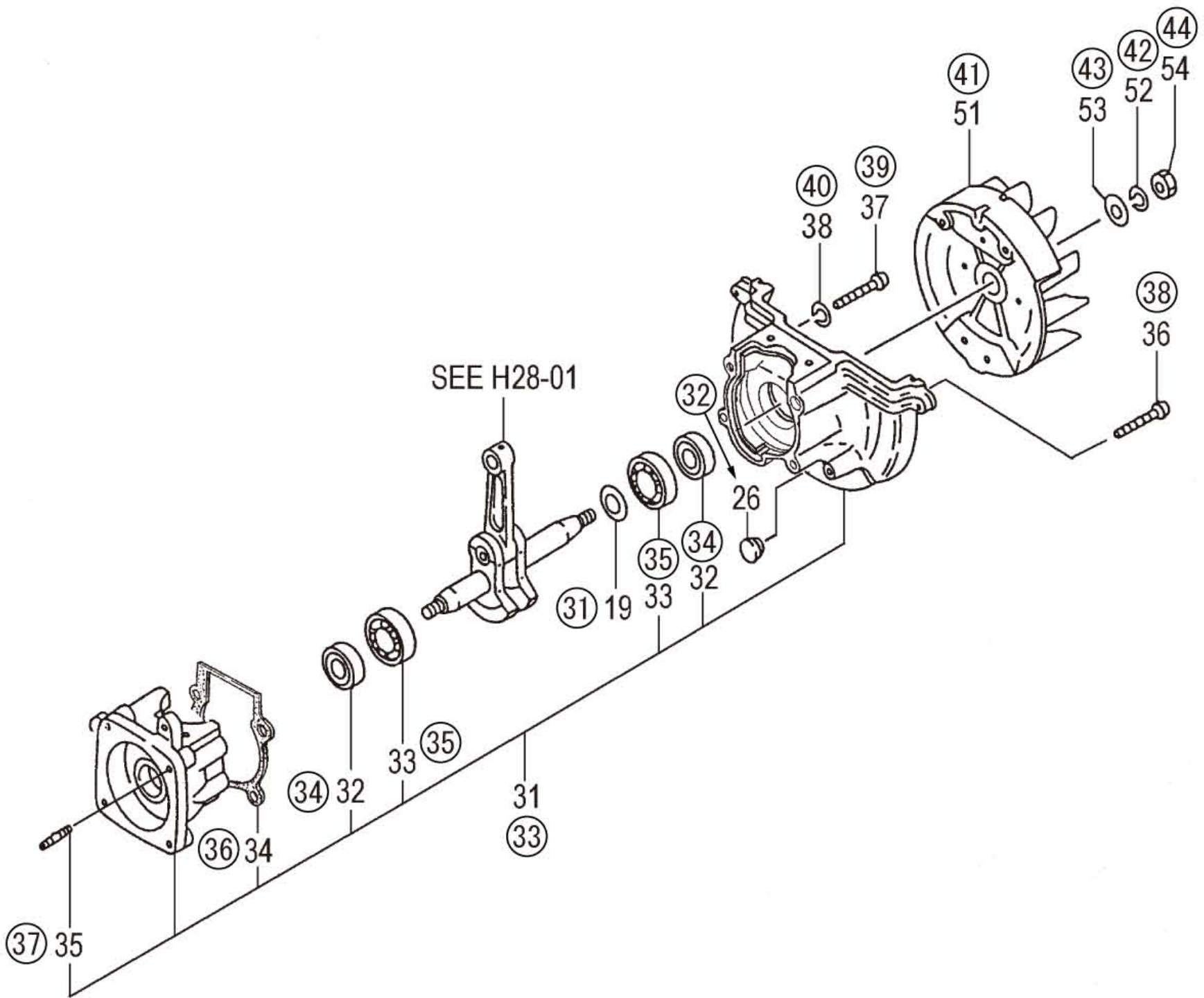


HITACHI NUMBER	REF. NUMBER	PARTS NUMBER	DESCRIPTION	Q'TY	TANAKA PARTS NUMBER
<b>H28-01 CYLINDER/PISTON/CRANK SHAFT</b>					
1	1	668-4894	PLUG CAP ASS'Y	1	157-01680-90
2	2	668-5085	SPARK PLUG BPM6A	1	018-11660-21
3	3	668-8334	SPARK PLUG RUBBER COVER	1	255-01680-20
4	6	668-5462	CYLINDER SET	1	001-03002-90
5	7	668-4586	HEX.HOLE BOLT M5X18/S	4	994-61050-184
6	9	668-5728	CYLINDER GASKET	1	017-03002-21
7	11	668-4588	PISTON RING	2	041-01601-20
8	12	668-5877	PISTON SET	1	030-01680-90
9	13	668-5078	CIRCLIP	2	039-00000-20
10	14	668-6011	PISTON PIN	1	037-01700-20
11	16	668-6176	CRANK SHAFT COMP.	1	046-03002-80
12	17	669-5592	NEEDLE BRG F-910 1.4X8.5	1	999-62091-325
13	18	668-4899	WOODRUFF KEY 3X13X4.5	1	068-10100-20
14	40	668-7840	CORD, B 140M	1	178-03002-80
15	43	668-7703	IGNITION COIL COMP.	1	167-21743-80
16	46	668-4599	HEX.HOLE BOLT M4X18/WS	2	994-64040-184
17	47	668-4600	WASHER	2	182-0186A-20
18	50	668-7704	IGNITION COIL ASS'Y	1	167-21743-90
19	55	668-8316	INSULATOR TUBE	1	250-01680-20

形 名

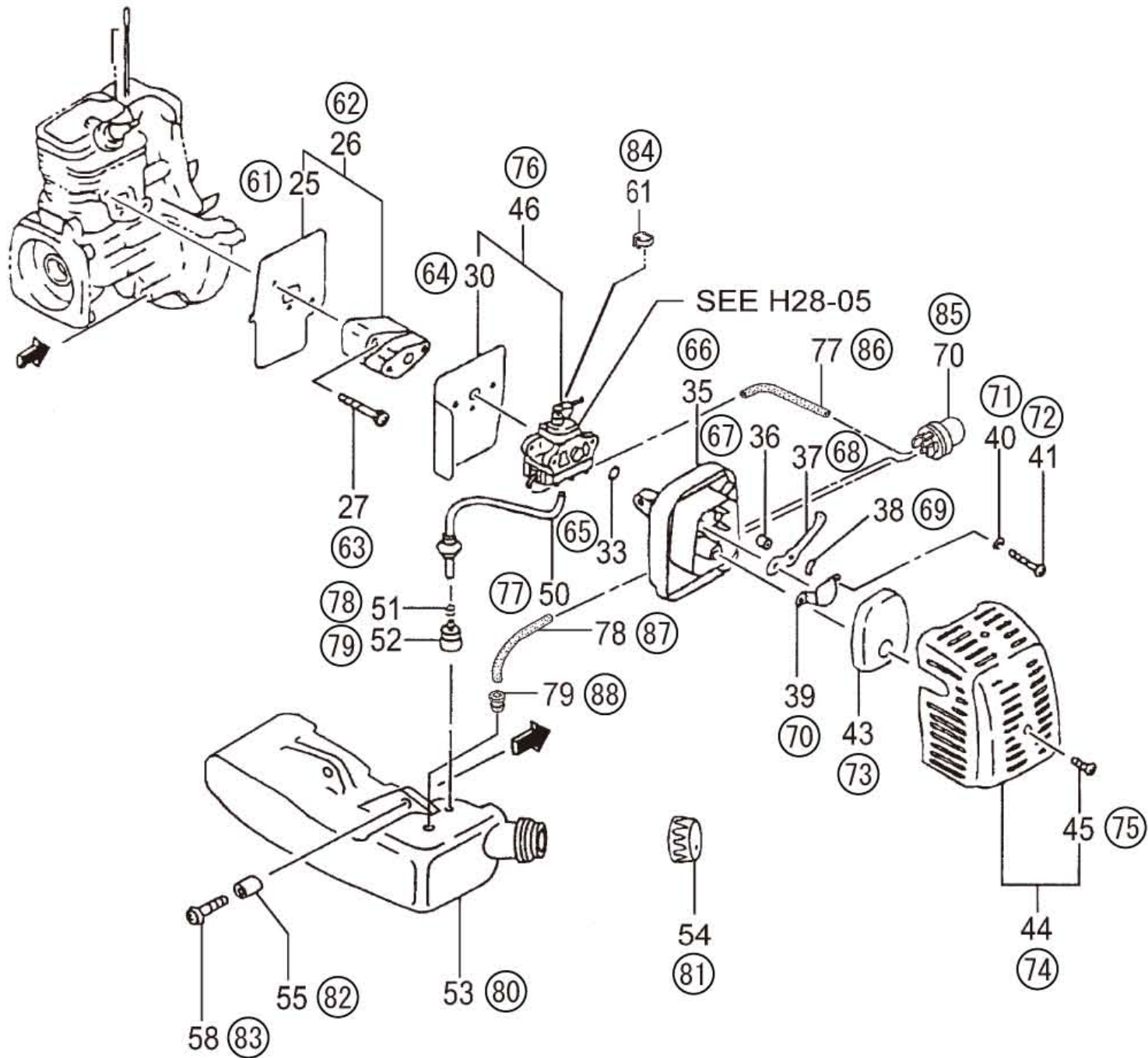
HTS2530PF

# H28-02 CRANK CASE



HITACHI NUMBER	REF. NUMBER	PARTS NUMBER	DESCRIPTION	Q'TY	TANAKA PARTS NUMBER
<b>H28-02 CRANK CASE</b>					
31	19	668-9177	GEAR SHAFT SHIM 0.10	V	330-00200-21
31	19	668-9178	GEAR SHAFT SHIM 0.15	V	330-00200-22
31	19	668-4604	GEAR SHAFT SHIM 0.20	V	330-00200-23
31	19	668-4605	GEAR SHAFT SHIM 0.30	V	330-00200-24
32	26	668-8047	GROMMET	1	203-03002-20
33	31	668-6529	CRANK CASE ASS'Y	1	072-03002-90
34	32	668-4607	OIL SEAL TB 12227	2	999-66122-200
35	33	669-5535	BALL BEARING 6001 C3	2	999-61600-115
36	34	668-6705	CRANK CASE GASKET	1	090-03002-20
37	35	668-6771	STUD BOLT 6X22	2	100-02100-20
38	36	668-4786	HEX. SOCKET HD. BOLT M5X30 S	2	994-61050-304
39	37	669-5350	SCREW 5X45S	2	994-14050-451
39	37	669-5055	HEX. HOLE BOLT 5X45	2	990-51050-453
40	38	668-4834	SPRING WASHER 5	2	992-10050-062
41	51	668-7418	MAGNETO ROTOR COMP.	1	155-21744-80
42	52	668-4971	S.WASHER 8	1	992-10080-012
43	53	668-4611	WASHER M8	1	992-01080-011
44	54	668-4612	HEX.NUT M8	1	991-01080-011

# H28-03 ENGINE-1

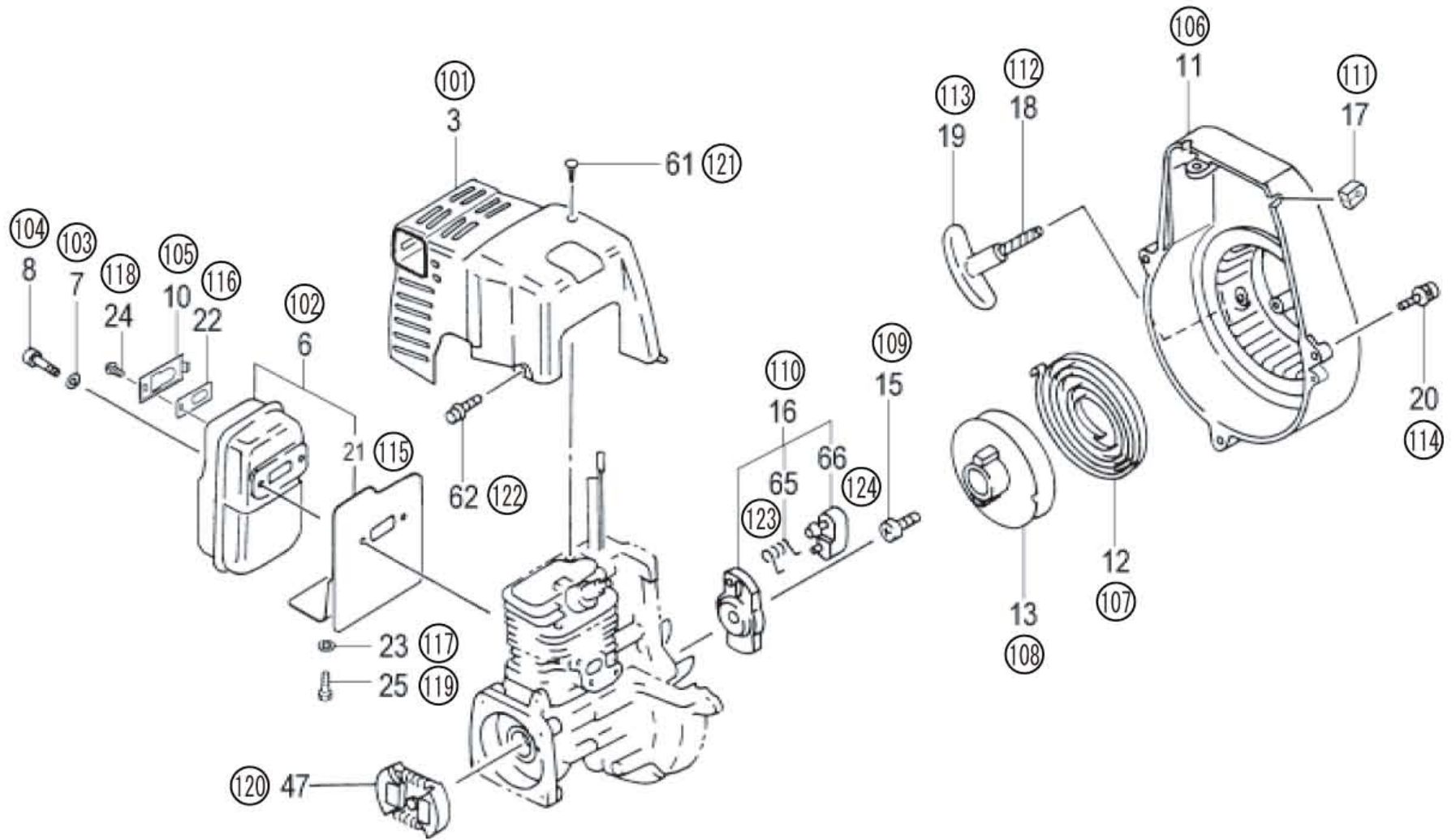


HITACHI NUMBER	REF. NUMBER	PARTS NUMBER	DESCRIPTION	Q'TY	TANAKA PARTS NUMBER
<b>H28-03 ENGINE-1</b>					
61	25	668-9874	INTAKE MANIFOLD GASKET	1	403-03002-20
62	26	668-9937	INSULATOR SET,SPARE	1	404-03002-91
63	27	669-5515	HEX. HOLE BOLT 5X25WS	2	994-64050-254
64	30	668-9828	CARBURETOR GASKET	1	402-03002-20
65	33	669-5670	O-RING P-15	1	999-67015-000
66	35	669-0119	CLEANER BODY COMP.	1	423-06500-81
67	36	669-0804	COLLAR 7.5	2	470-06500-20
68	37	669-1261	CHOKE VALVE	1	528-03002-20
69	38	668-4658	WAVE WASHER 8	1	992-04080-031
70	39	669-0843	BLOW OVER CHECK BOARD	1	476-01700-20
71	40	668-4662	S.WASHER 5	2	992-10050-012
72	41	668-4660	SCREW M5X60	2	990-11050-602
73	43	669-0364	CLEANER SPONGE	1	446-06500-21
74	44	669-0415	CLEANER COVER ASS'Y	1	452-06500-91
75	45	668-9737	SPECIAL SCREW	1	380-0637C-20
76	46	669-0461	CARBURETOR SET WYL139A	1	455-03002-90
77	50	668-8174	SHEILD TUBE	1	223-07000-90
78	51	668-4619	CLIP,6.3 DIA.	1	680-00731-20
79	52	668-4620	PUMP FILTER BODY COMP.	1	675-04042-80
80	53	669-1513	FUEL TANK	1	591-03005-20
81	54	669-1748	TANK CAP D ASS'Y	1	595-03002-90
82	55	669-2244	COLLAR 5.8	2	659-00801-20
83	58	669-5505	HEX. HOLE BOLT 5X18PS	2	994-63050-185
84	61	668-4628	SWIVEL CAP	1	560-07120-20
85	70	668-5139	PRIMING PUMP COMP.	1	442-25143-80
86	77	669-2347	FUEL PIPE 2.5X4X80	1	700-02504-08
87	78	669-2346	FUEL PIPE 2.5X4X70	1	700-02504-07
88	79	668-4627	RETURN GROMMET	1	534-32710-20

形 名

HTS2530PF

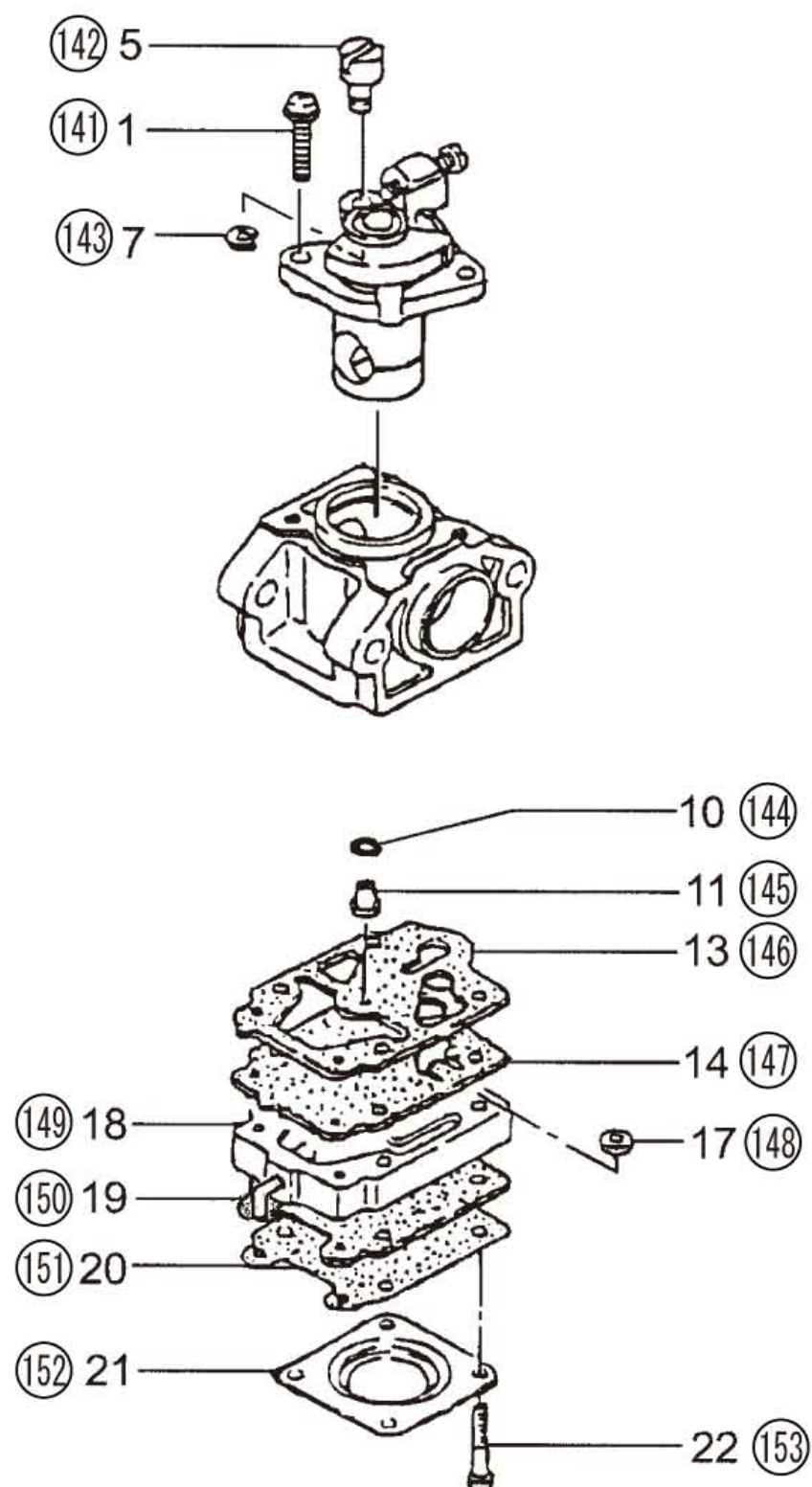
# H28-04 ENGINE-2



HITACHI NUMBER	REF. NUMBER	PARTS NUMBER	DESCRIPTION	Q'TY	TANAKA PARTS NUMBER
<b>H28-04 ENGINE-2</b>					
101	3	669-2772	MUFFLER PROTECTOR	1	738-03002-21
102	6	669-2451	MUFELER SET	1	704-03002-90
103	7	668-4639	WASHER 6	2	992-01060-011
104	8	669-5086	HEX. HOLE SCREW 6X55	2	990-53060-553
105	10	669-2652	TAIL PIPE	1	721-04400-20
105	10	669-2646	TAIL PIPE	1	721-03003-20
106	11	668-6957	FAN CASE COMP.	1	112-03002-80
107	12	668-4675	RECOIL SPRING	1	780-06097-20
108	13	669-3066	STARTER ROPE REEL	1	774-06097-20
109	15	669-3633	SET SCREW	1	839-02010-20
110	16	669-3405	STARTER PULLEY ASS'Y	1	798-06500-90
111	17	668-8049	PRIMARY CORD GROMMET	1	203-06000-20
112	18	669-3168	STARTER ROPE	1	783-06097-20
113	19	669-3237	STARTER HANDLE	1	785-06410-20
114	20	668-4682	HEX.HOLE BOLT 4X15/PS	3	994-63040-154
115	21	669-2718	MUFFLER COVER A COMP.	1	735-03002-81
116	22	669-2696	MUFFLER ARRESTOR	1	732-04400-20
117	23	668-4661	WASHER 5	1	992-01050-011
118	24	668-5109	MACHINE SCREW (W/SP. WASHER)	1	994-34040-081
118	24	669-5471	SCREW 4X8PS	1	994-35040-081
119	25	669-5332	SCREW 5X8/S	1	994-14050-081
120	47	668-8493	CLUTCH ASSY,48MM	1	277-0634F-90
121	61	669-5104	TAPPING SCREW 4.5X10	1	990-73045-104
122	62	669-5441	BOLT 4X12PS	1	994-25040-128
123	65	668-4684	STARTER PAWL SPRING	1	790-06097-20
124	66	669-3319	STARTER PAWL	1	788-06500-20

形 名  
**HTS2530PF**

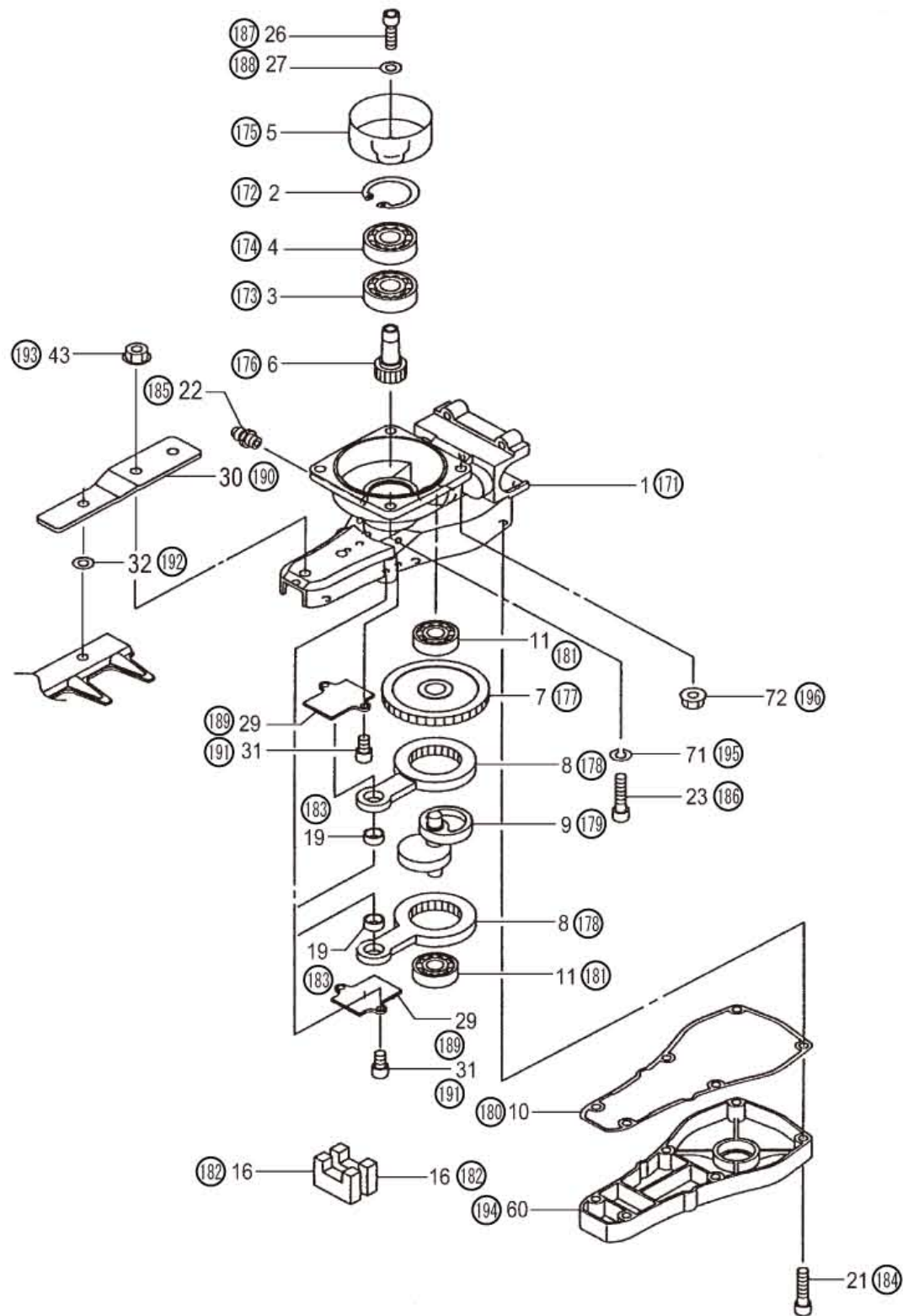
# H28-05 CARBURETOR



HITACHI NUMBER	REF. NUMBER	PARTS NUMBER	DESCRIPTION	Q'TY	TANAKA PARTS NUMBER
<b>H28-05 CARBURETOR</b>					
141	1	668-4698	THROTTLE SET SCREW	2	548-25140-20
142	5	668-4697	SWIVEL	1	539-25120-20
143	7	668-4696	STOP RING	1	489-25100-20
144	10	668-4695	O-RING	1	550-25100-20
145	11	669-1873	MAIN JET #35	1	599-2001W-35
146	13	669-1457	PUMP GASKET	1	577-25100-20
147	14	668-4693	PUMP DIAPHRAGM	1	576-25100-20
148	17	668-4700	INLET SCREEN	1	578-25007-20
149	18	669-1435	PUMP BODY COMP.	1	575-25225-80
150	19	668-5220	DIAPHRAGM PACKING	1	475-25038-20
151	20	669-0830	METERING DIAPHRAGM COMP.	1	474-25241-80
152	21	668-5222	DIAPHRAGM COVER	1	476-25004-20
153	22	669-1312	SET SCREW	4	548-25101-20
		669-2191	CARB. REPAIR KIT, K10-WYL	1	650-25140-90
		669-2200	GASKET/DIA. KIT,D10WYL	1	652-25140-90

形 名  
**HTS2530PF**

# H28-06 GEAR CASE

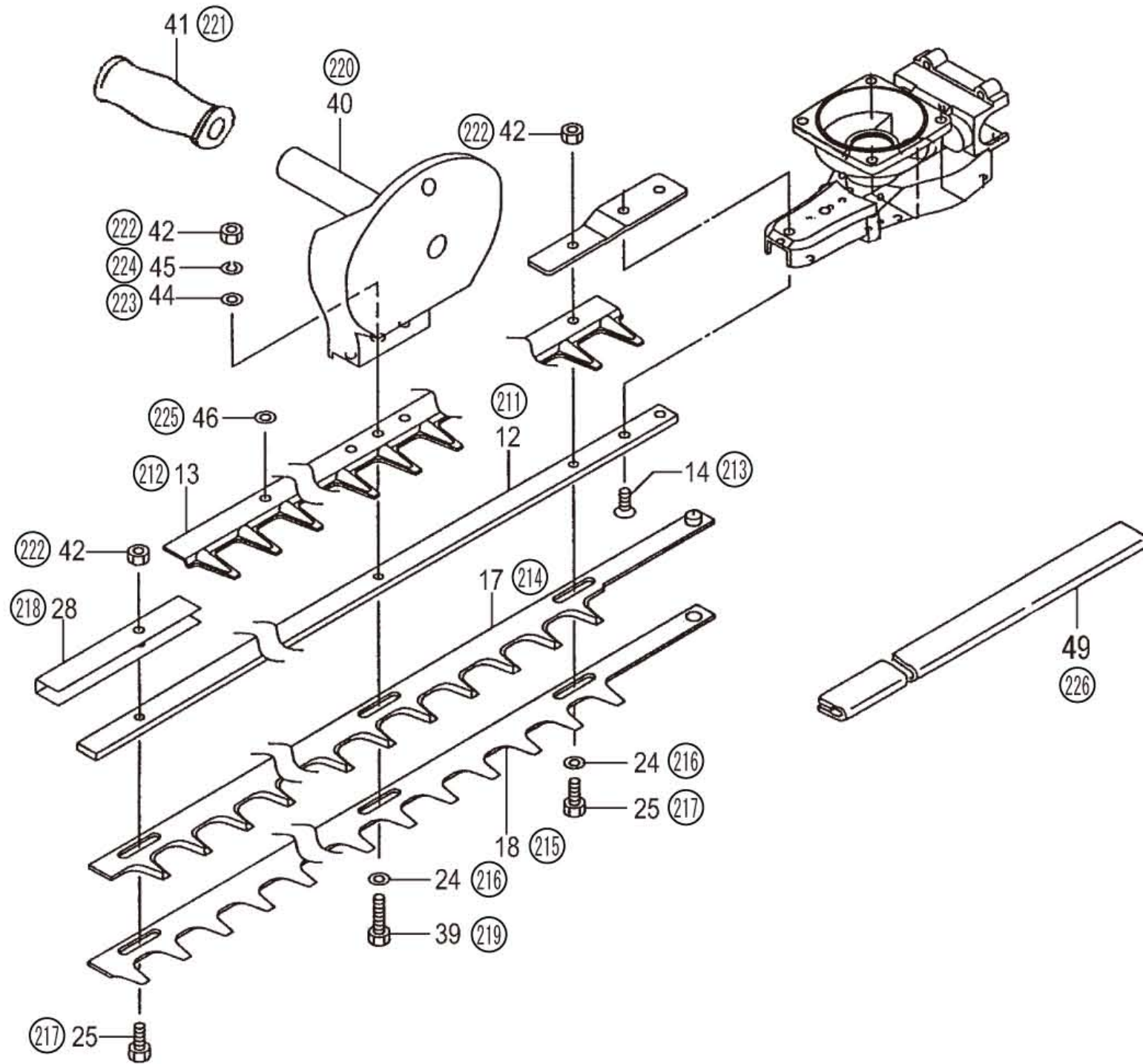


HITACHI NUMBER	REF. NUMBER	PARTS NUMBER	DESCRIPTION	Q'TY	TANAKA PARTS NUMBER
<b>H46-06 GEAR CASE</b>					
171	1	668-8672	GEAR CASE A	1	300-33185-20
172	2	669-5294	STOP RING C-26, INNER	1	993-51026-002
173	3	669-5524	BALL BEARING #6000, 26MM/OD	1	999-61600-000
174	4	669-5526	BALL BEARING #6000Z, 26MM/OD	1	999-61600-002
175	5	668-8571	CLUTCH HOUSING COMP.	1	288-33185-80
176	6	668-8967	GEAR 1	1	306-33185-20
177	7	668-8975	GEAR 2	1	307-33185-20
178	8	668-6810	CAM-ROD COMP.	2	101-33185-80
179	9	668-6791	CAM SHAFT	1	100-33185-20
180	10	668-8910	GEAR CASE GASKET	1	303-33185-20
181	11	668-4738	BALL BEARING #608, 22MM/OD	2	999-61608-000
182	16	668-6655	GREASE SEAL A	2	085-33185-20
183	19	668-8293	COLLAR	2	247-33185-20
184	21	668-4709	HEX.HOLE BOLT M5X25/S	6	994-61050-254
185	22	668-8643	GREASE NIPPLE COMP.	1	300-32250-80
186	23	669-5059	HEX. HOLE BOLT 6X18	2	990-51060-183
186	23	669-5495	HEX. HOLE BOLT 6X18/S	2	994-61060-184
187	26	669-5079	HEX HOLE BUTTON SCREW 6X15	1	990-53060-153
188	27	669-5183	SMALL WASHER 6	1	992-00060-011
189	29	668-6467	FIXING PLATE	2	070-33185-21
190	30	669-0758	SUPPORT PLATE	1	462-33185-20
191	31	668-5093	HEX. SOCKET HD. BOLT M4X10	4	990-51040-103
192	32	668-4822	SPECIAL WASHER B	1	871-32600-20
193	43	669-5475	SPRING NUT 6	2	994-40060-011
194	60	668-8848	GEAR CASE B	1	301-33185-20
195	71	669-5219	S.WASHER 6	2	992-10060-012
196	72	669-5475	SPRING NUT 6	2	994-40060-011

形 名

HTS2530PF

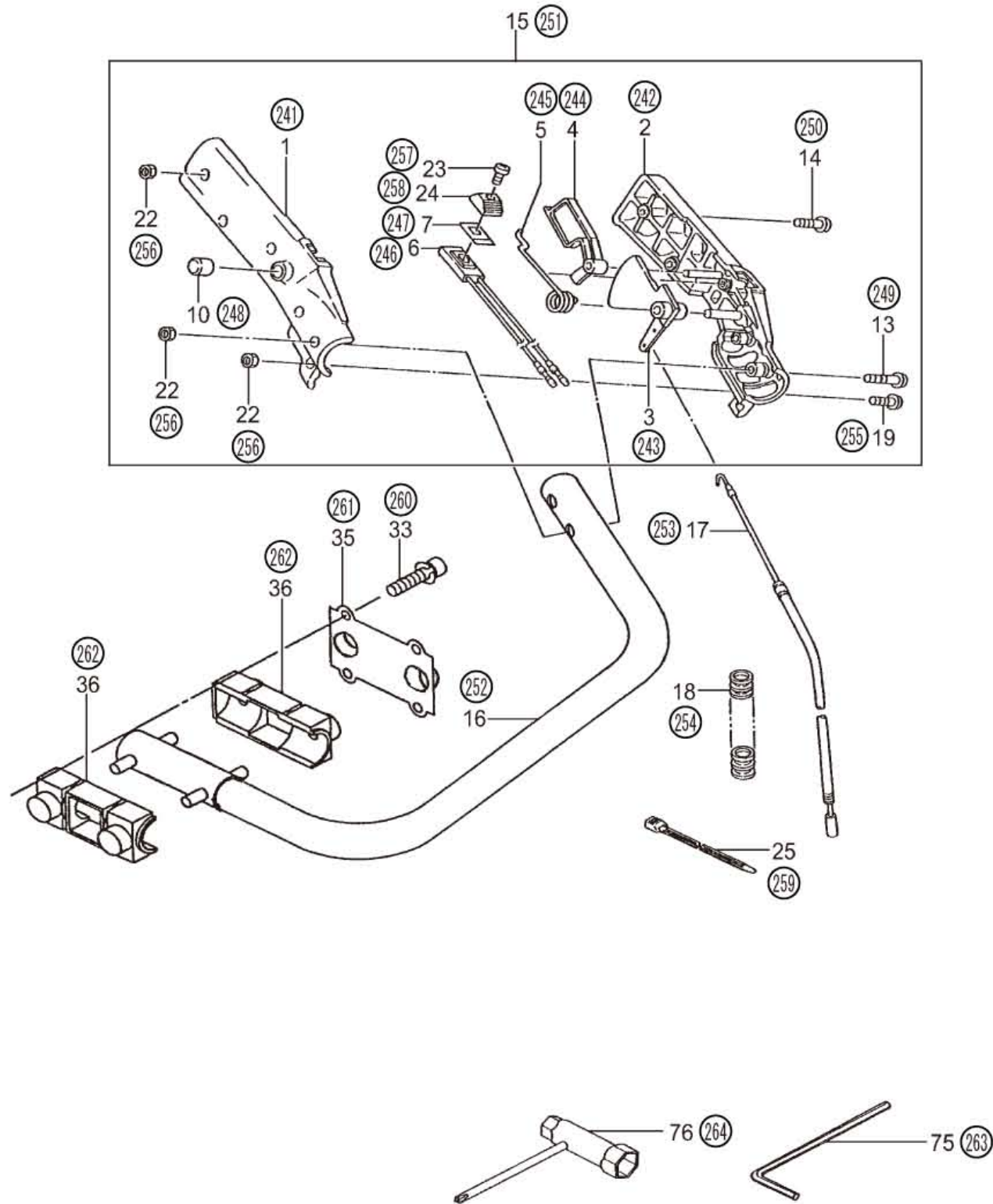
# H28-07 BLADE



HITACHI NUMBER	REF. NUMBER	PARTS NUMBER	DESCRIPTION	Q'TY	TANAKA PARTS NUMBER
<b>H28-07 BLADE</b>					
211	12	668-7142	CUTTER GUIDE	1	122-33187-20
211	12	668-7151	CUTTER GUIDE 830L M6	1	122-33285-20
212	13	668-7286	PROTECTION PLATE	1	136-33181-20
213	14	669-5074	HEX. HOLE SCREW 6X25	2	990-52060-253
214	17	668-7113	CUTTER B 852L	1	121-33187-21
215	18	668-7091	CUTTER A	1	120-33187-21
216	24	668-7187	WASHER 7 BLACK	4	129-33202-20
217	25	668-7160	CUTTER FIXING BOLT A	4	124-33202-21
217	25	668-7158	FIXING BOLT A M6	4	124-32287-20
218	28	668-7180	BLADE HOLDER	1	128-33202-20
219	39	668-7167	CUTTER FIXING BOLT B	1	125-33202-20
219	39	668-7168	FIXING BOLT B M6	1	125-33285-20
220	40	668-6311	HANDLE B COMP.	1	051-33185-81
221	41	668-4708	HANDLE GRIP	1	165-37590-20
222	42	668-7155	CUTTER FIXING NUT	5	123-3317A-20
222	42	669-5170	FLANGE NUT 6	5	991-82060-001
223	44	668-4639	WASHER 6	1	992-01060-011
224	45	669-5219	S.WASHER 6	1	992-10060-012
225	46	668-4639	WASHER 6	2	992-01060-011
225	46	668-4639	WASHER 6	2	992-01060-011
226	49	668-7308	CUTTER COVER, L-773	1	138-33215-20

形 名  
**HTS2530PF**

# H28-08 HANDLE



HITACHI NUMBER	REF. NUMBER	PARTS NUMBER	DESCRIPTION	Q'TY	TANAKA PARTS NUMBER
<b>H28-08 HANDLE</b>					
241	1	668-6338	HANDLE GRIP A	1	053-33231-22
242	2	668-6349	HANDLE GRIP B	1	054-33231-23
243	3	668-8229	THROTTLE LEVER	1	230-33210-20
244	4	668-8238	SAFETY LEVER	1	231-33210-20
245	5	668-6414	THROTTLE LEVER SPRING	1	061-32600-20
246	6	668-7766	STOP SWITCH COMP.	1	170-33189-80
247	7	669-4585	STOP BUTTON MARK	1	925-32530-20
248	10	669-3002	CAP	1	765-32120-20
249	13	669-5412	SCREW 4X30/WS	2	994-16040-301
250	14	669-5411	SCREW 4X25/WS	1	994-16040-251
251	15	668-6356	HANDLE GRIP ASS'Y	1	055-33189-90
252	16	668-6275	HANDLE A COMP.	1	050-33185-80
253	17	669-3877	THROTTLE WIRE 270+49	1	885-03014-80
254	18	668-7558	PROTECTION TUBE 10X150L	1	164-10015-00
255	19	669-5404	SCREW 4X16WS	3	994-16040-161
256	22	669-5163	NYLON LOCK NUT 4	6	991-78040-010
257	23	668-4913	SCREW 3X10	1	994-31030-101
258	24	668-8366	BUTTON STOP	1	258-11650-20
259	25	668-8015	CORD CLAMP	1	198-33130-20
260	33	668-4667	HEX.HOLE BOLT M5X12/S	4	994-61050-124
261	35	668-6370	HANDLE BRACKET	1	058-33185-20
262	36	668-6396	HANDLE DUMPER RUBBER	2	060-33185-20
263	75	668-4813	HEX. BAR WRENCH 4MM	1	813-20000-20
264	76	668-5997	COMBI. BOX SPANNER 10X19 ,PLUS	1	036-29331-50

形 名

HTS2530PF



# H28-09 LABELS



HITACHI NUMBER	REF. NUMBER	PARTS NUMBER	DESCRIPTION	Q'TY	TANAKA PARTS NUMBER
<b>H28-09 LABELS</b>					
281	1	669-4125	NAME PLATE HTS2530PF	1	906-03005-21
282	17	669-4564	CAUTION MARK	1	920-32466-20