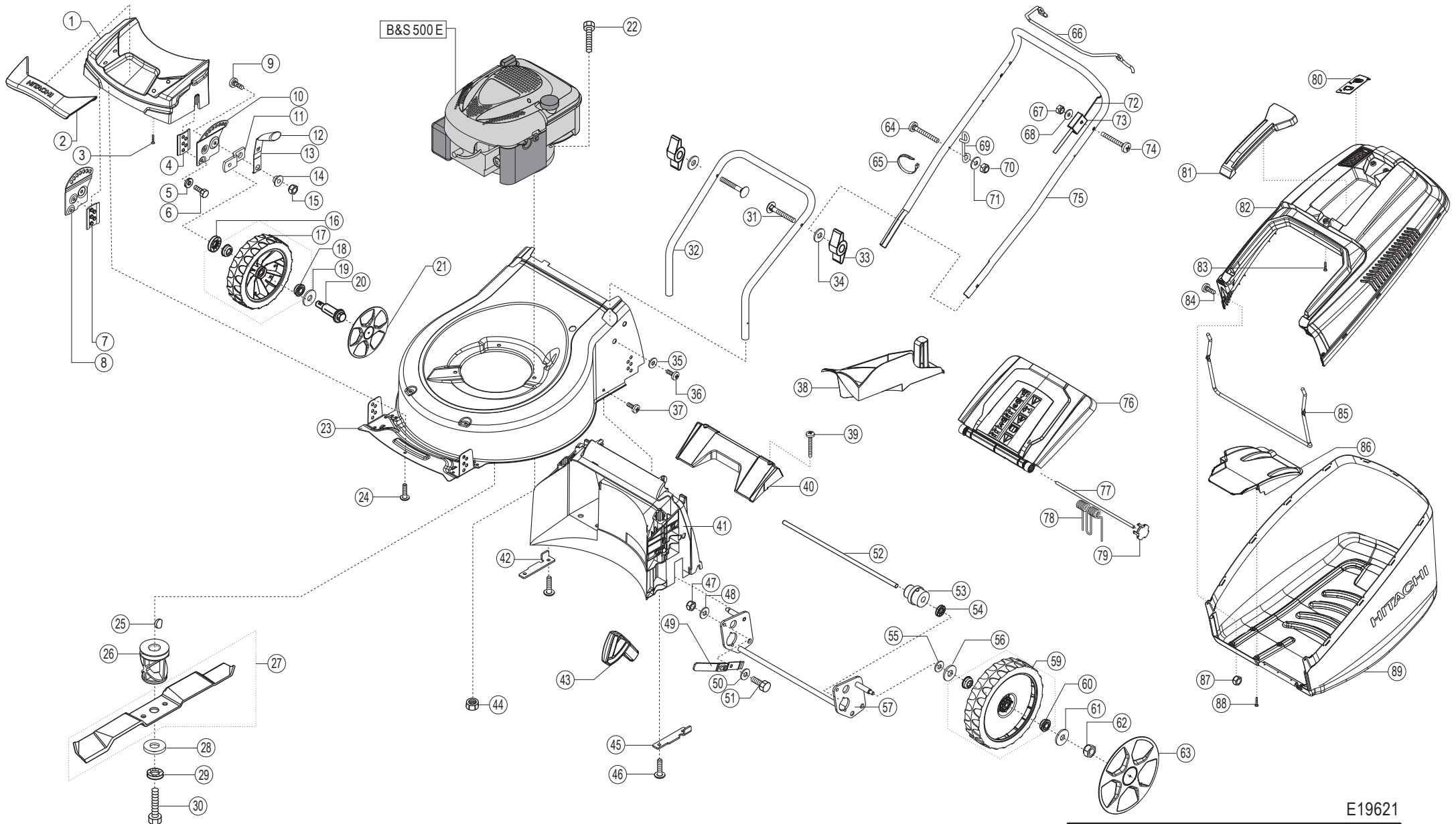


ML 140E

Art. Nr. 119621

Hitachi Koki



E19621

a	b	c	d	e	f
---	---	---	---	---	---

ML140E			
Illust No.	Qty.	Service Code No.	description ENGLISH
1	1	6600115	FRONT PART
2	1	6600108	FRONT GRIP
3	4	6600181	SCREW D4X16
4	1	6600157	WHEEL HOLDER
5	4	6600247	WASHER 8,2
6	4	6600254	SCREW 8X 16
7	1	6600158	WHEEL HOLDER
8	1	6600152	HANDLE ADJUSTMENT (R)
9	2	6600269	SCREW 8X25
10	1	6600153	HANDLE ADJUSTMENT (L)
11	2	6600230	WHEEL HOLDER
12	2	6600227	ADJUSTMENT LEVER
13	2	6600229	ADJUSTING SPRING
14	2	6600154	BUSH
15	2	6600272	NUT M8
16	6	6600247	WASHER 8,2
17	2	6600139	WHEEL
18	2	6600216	BALL BEARING KL4.12 MARKES
19	2	6600223	WASHER 13 1X24X0,6
20	2	6600225	BOLT D-12/M8
21	2	6600141	WHEEL COVER
22	3	6600096	SCREW M8X 30
23	1	6600119	DECK
24	7	6600237	SCREW D4X10
25	1	6600249	WASHER 4 X 6.5
26	1	6600217	BLADE HOLDER
27	1	6600100	MULCHING BLADE 46
28	1	6600093	WASHER D50X5
29	1	6600248	WASHER 10,5
30	1	6600094	HEXAGON SCREW 3/8"X 60
31	2	6600258	SCREW 8X 45
32	1	6600202	LOWER HANDLE
33	2	6600238	WING NUT
34	2	6600273	WASHER 8,4
35	2	6600243	WASHER 5,3
36	2	6600264	SCREW 4,8X19
37	4	6600214	SCREW D6X14
38	1	6600175	MULCHING WEDGE
39	2	6600181	SCREW D4X16
40	1	6600107	FLAP COVER
41	1	6600182	REAR PART
42	1	6600148	CLOSURE ANGLE 46 RIGHT
43	1	6600106	GRIP FOR HEIGHT ADJUSTMENT
44	3	6600211	NUT M8
45	1	6600156	CLOSURE ANGLE 46 LEFT
46	4	6600214	SCREW D6X14
47	1	6600272	NUT M8
48	1	6600273	WASHER 8,4
49	1	6600170	ADJUSTING LEVER
50	1	6600245	WASHER 8 X24
51	1	6600275	SCREW 8X 25
52	1	6600118	SHAFT
53	1	6600121	BEARING BUSH
54	2	6600222	BUSH
55	2	6600274	WASHER 12
56	2	6600250	SPRING WASHER 12
57	1	6600167	REAR AXLE
59	2	6600138	WHEEL 280
60	2	6600216	BALL BEARING KL4.12 MARKES
61	2	6600273	WASHER 8,4

ML140E			
Illust No.	Qty.	Service Code No.	description ENGLISH
62	2	6600272	NUT M8
63	2	6600142	WHEEL COVER
64	1	6600255	SCREW 6X 30
65	1	6600095	CABLE TIE 120x 4,5
66	1	6600234	STOP LEVER
67	1	6600252	NUT M6
68	1	6600244	WASHER 6,4
69	1	6600224	GUIDE OF STARTER CORD
70	1	6600252	NUT M6
71	1	6600244	WASHER 6,4
72	1	6600226	START CABLE 1060
73	1	6600207	CABLE GUIDE
74	1	6600267	SCREW 6X 40
75	1	6600129	UPPER HANDLE
76	1	6600110	FLAP
77	1	6600176	ROD FOR FLAP
78	1	6600147	SPRING
79	2	6600155	STOPPER
80	1	6600102	LEVEL INDICATOR
81	1	6600103	GRIP
82	1	6600104	BOX TOP
83	3	6600181	SCREW D4X16
84	2	6600259	SCREW 5X 16
85	1	6600113	BOX BRACKET
86	1	6600114	INSET FOR BOX
87	2	6600257	NUT M5
88	4	6600220	SCREW D5X18
89	1	6600105	BOX LOWER PART