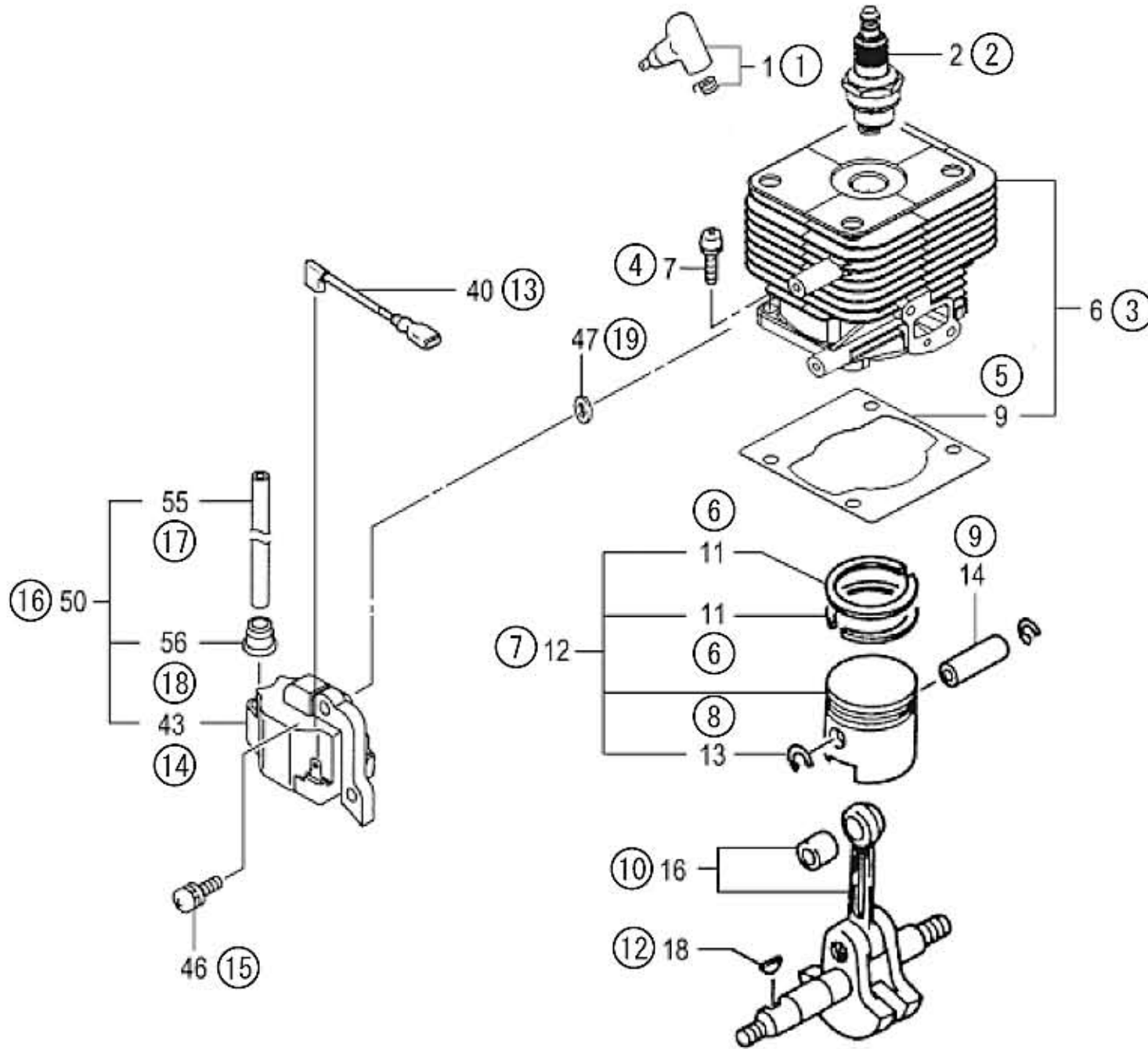
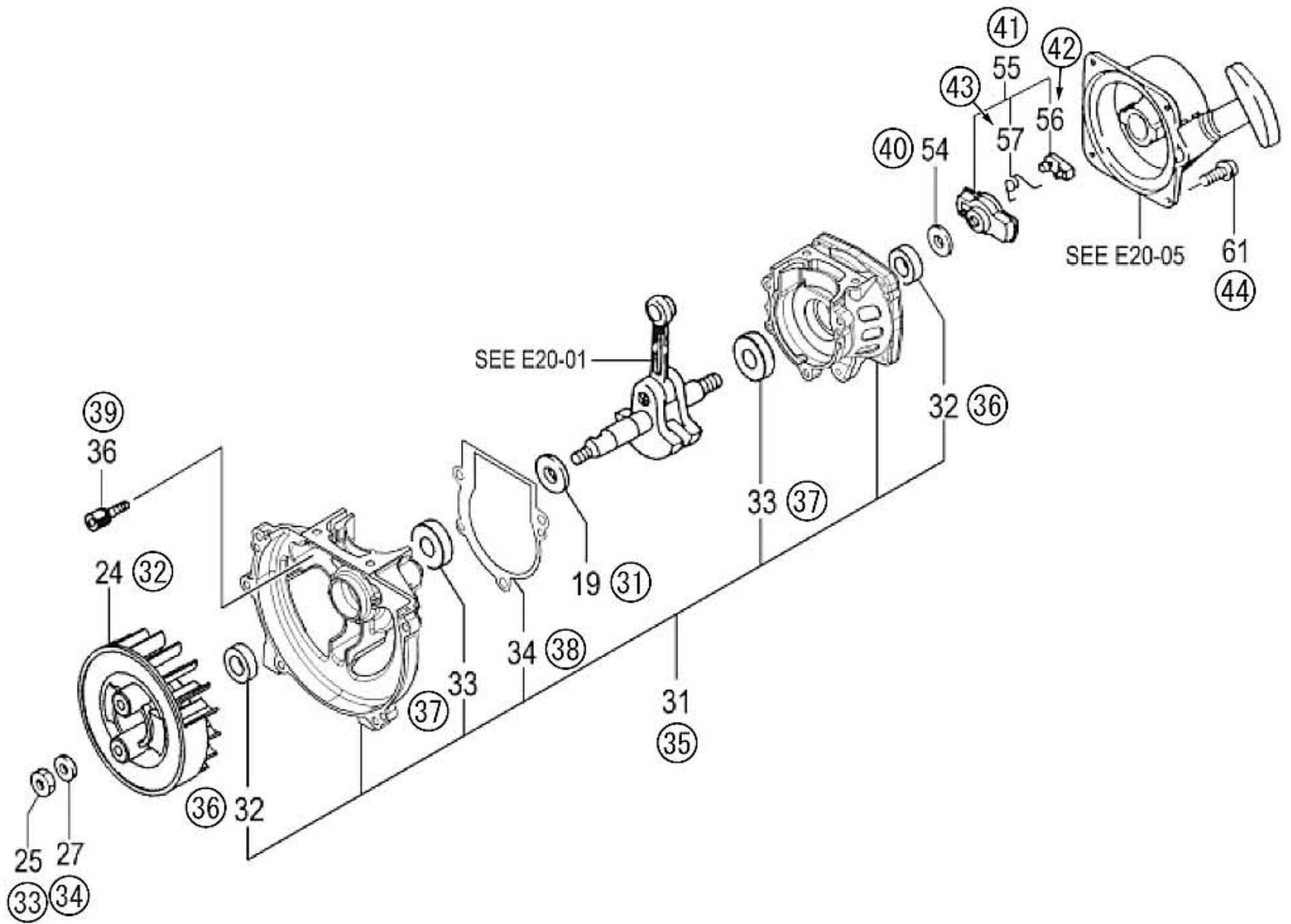


E20-01 CYLINDER/PISTON/CRANK SHAFT



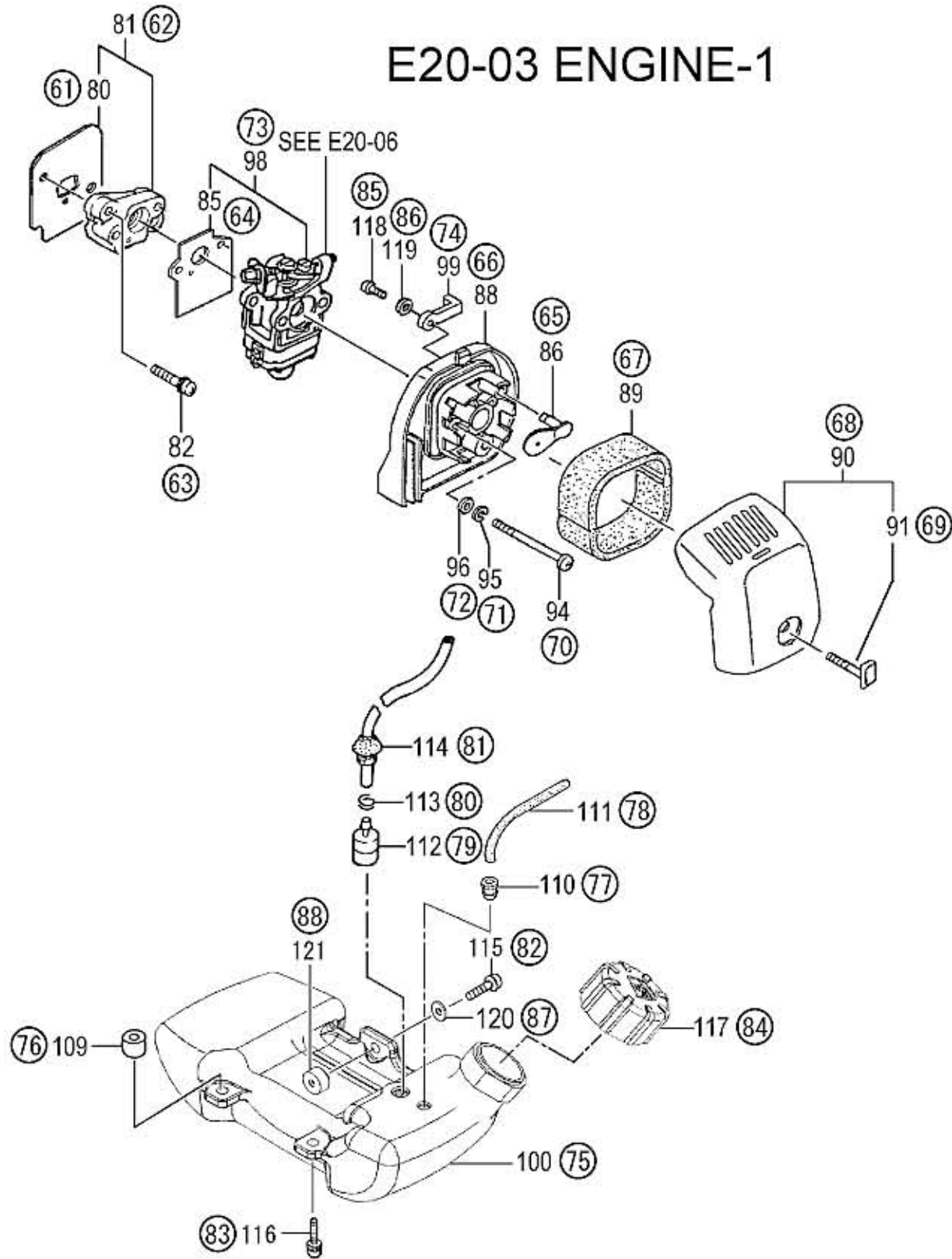
HITACHI NUMBER	REF. NUMBER	PARTS NUMBER	DESCRIPTION	Q'TY	TANAKA PARTS NUMBER
E20-01 CYLINDER/PISTON/CRANK SHAFT					
1	1	668-7468	SPARK PLUG CAP ASS'Y	1	157-01570-90
2	2	668-5772	SPARK PLUG CJ6Y	1	018-04064-20
3	6	668-5491	CYLINDER SET	1	001-07250-90
4	7	668-4903	HEX.HOLE BOLT M5X16/S	4	994-61050-164
5	9	668-5749	CYLINDER GASKET	1	017-07250-20
6	11	668-5331	PISTON RING(XR1-1856)	2	041-56400-20
7	12	668-5898	PISTON SET	1	030-07030-91
8	13	668-5078	CIRCLIP	2	039-00000-20
9	14	668-6008	PISTON PIN	1	037-01400-20
10	16	669-6499	CRANK SHAFT COMP	1	046-07221-80
12	18	668-4899	WOODRUFF KEY 3X13X4.5	1	068-10100-20
13	40	668-7876	STOP CORD W 190M	1	178-07250-80
14	43	668-7663	IGNITION COIL COMP	1	167-20549-80
15	46	668-4682	HEX.HOLE BOLT 4X15/PS	2	994-63040-154
15	46	668-4599	HEX.HOLE BOLT M4X18/WS	2	994-64040-184
19	47	668-4600	WASHER	1	182-0186A-20
16	50	668-7666	IGNITION COIL ASS'Y	1	167-20553-91
17	55	668-7889	HIGH TENSION CORD 180L	1	178-20553-20
18	56	668-4602	RUBBER CAP	1	560-20517-20

E20-02 CRANK CASE



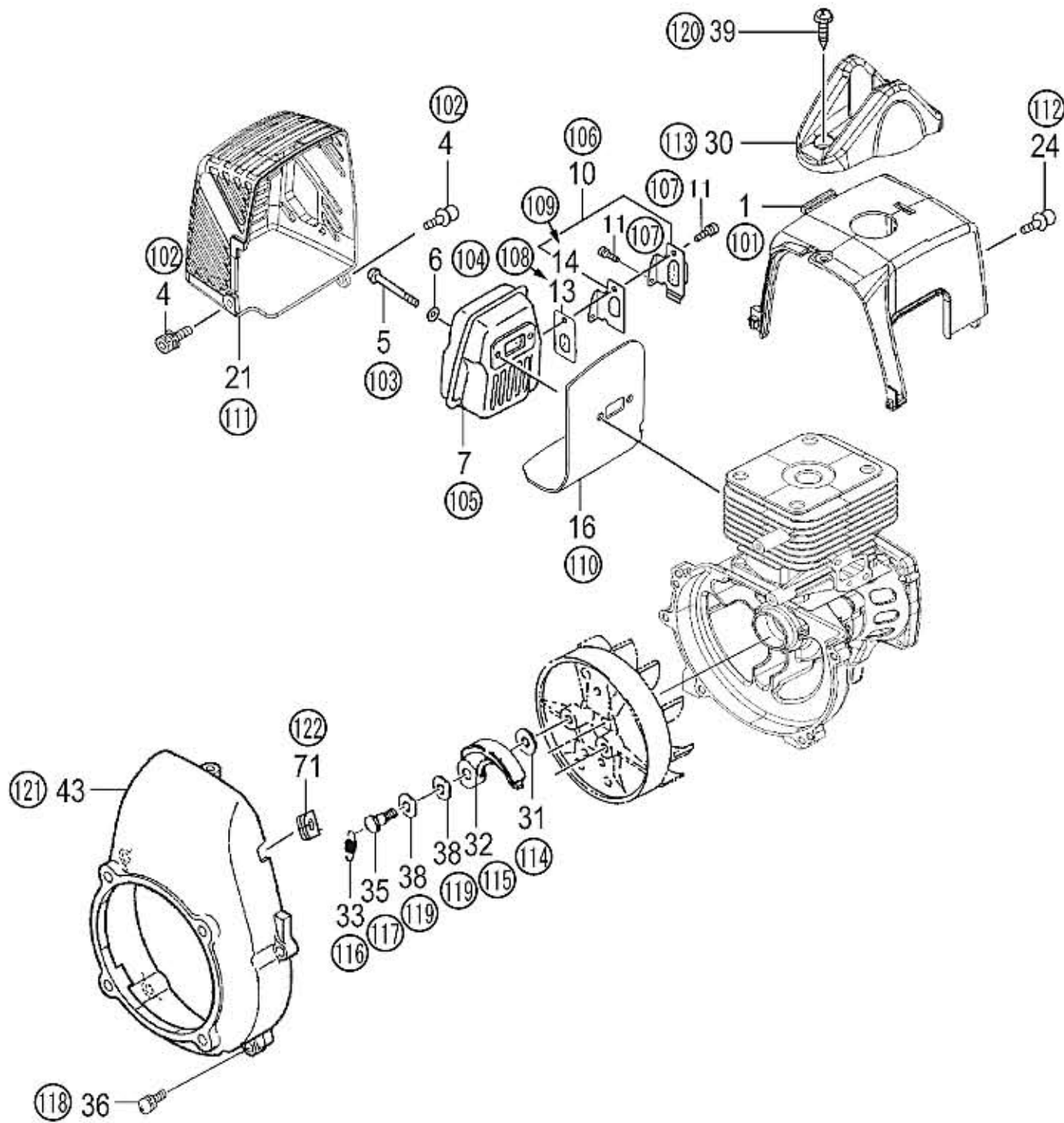
HITACHI NUMBER	REF. NUMBER	PARTS NUMBER	DESCRIPTION	Q'TY	TANAKA PARTS NUMBER
E20-02 CRANK CASE					
31	19	668-9177	GEAR SHAFT SHIM 0.10	V	330-00200-21
31	19	668-9178	GEAR SHAFT SHIM 0.15	V	330-00200-22
31	19	668-4604	GEAR SHAFT SHIM 0.20	V	330-00200-23
31	19	668-4605	GEAR SHAFT SHIM 0.30	V	330-00200-24
32	24	668-7375	MAGNETO ROTOR COMP.	1	155-20549-80
33	25	668-4612	HEX.NUT M8	1	991-01080-011
34	27	669-5184	SMALL WASHER 8	1	992-00080-011
35	31	668-6586	CRANK CASE ASSY	1	072-07250-90
36	32	668-4607	OIL SEAL TB 12227	2	999-66122-200
37	33	669-5535	BALL BEARING 6001 C3	2	999-61600-115
38	34	668-6723	CRANK CASE GASKET	1	090-07250-20
39	36	668-4903	HEX.HOLE BOLT M5X16/S	3	994-61050-164
40	54	668-4611	WASHER M8	1	992-01080-011
41	55	669-3394	STARTER PULLEY ASS'Y	1	798-0166R-90
42	56	669-3299	STARTER PAWL	1	788-0138A-20
43	57	669-3345	STARTER PAWL SPRING	1	790-0162V-20
44	61	669-5508	HEX. HOLE BOLT 4X18WS	2	994-64040-185

E20-03 ENGINE-1



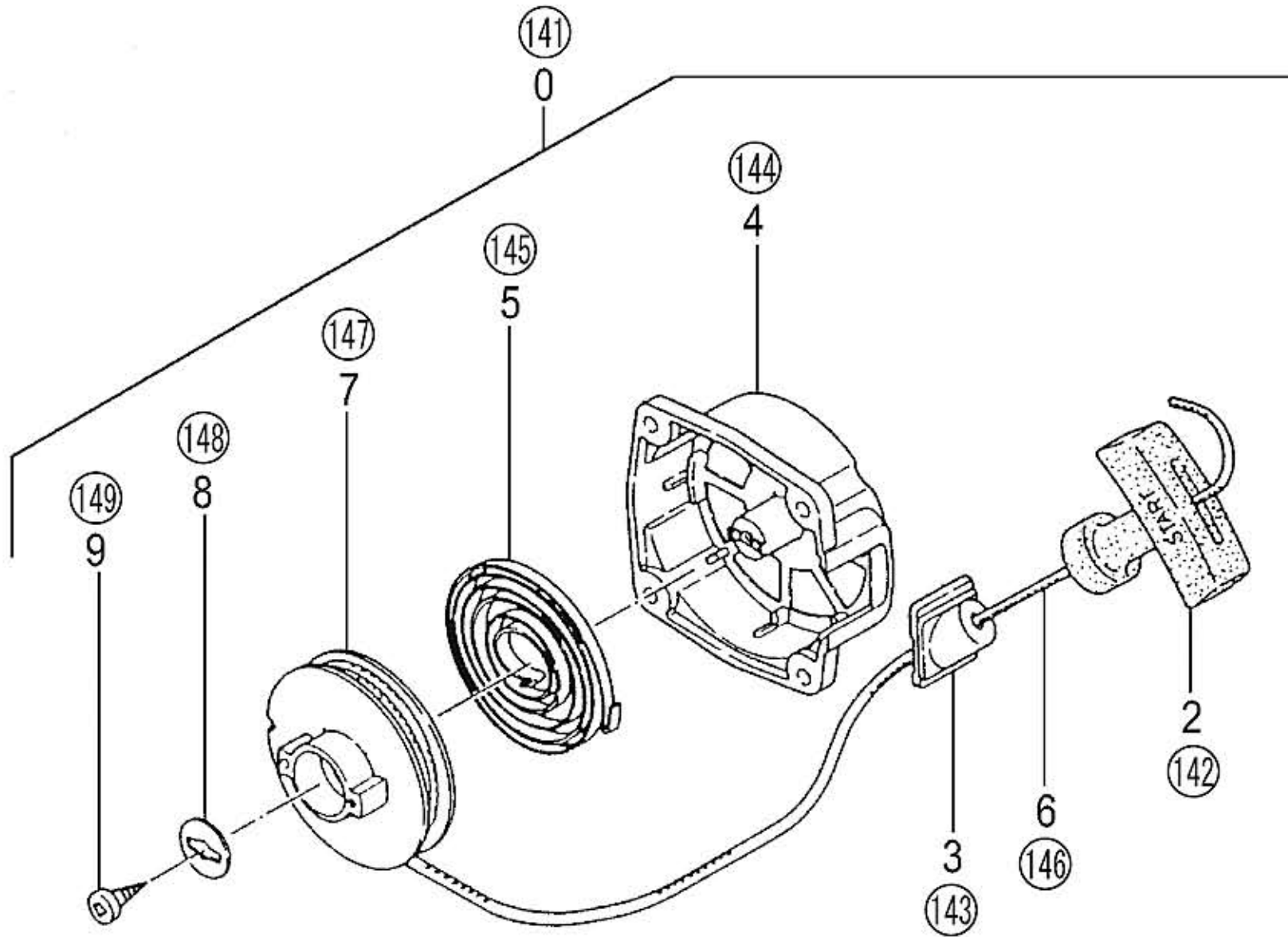
HITACHI NUMBER	REF. NUMBER	PARTS NUMBER	DESCRIPTION	Q'TY	TANAKA PARTS NUMBER
E20-03 ENGINE-1					
61	80	668-9895	INLET MANIFOLD GASKET	1	403-07020-21
62	81	668-9972	INSULATOR SET	1	404-07020-91
63	82	669-5515	HEX. HOLE BOLT 5X25WS	2	994-64050-254
64	85	668-4616	CARBURETOR GASKET	1	402-0656A-20
65	86	669-1276	CHOKE PLATE 2.0	1	528-0652N-22
66	88	669-0120	CLEANER BODY COMP.	1	423-0652N-80
67	89	669-0365	CLEANER SPONGE	1	446-0652N-20
68	90	669-0402	CLEANER COVER ASS'Y	1	452-03046-90
69	91	669-0384	COVER FIXING BOLT	1	450-07024-80
70	94	669-5056	HEX. HOLE BOLT 5X55	2	990-51050-553
71	95	668-4662	S.WASHER 5	2	992-10050-012
72	96	668-4864	SMALL WASHER 5	2	992-00050-011
73	98	669-0465	CARBURETOR SET WYJ318	1	455-03045-90
74	99	669-1239	CHOKE CONTROL LEVER	1	523-0652N-20
75	100	669-1597	TANK WHT	1	591-07250-21
75	100	669-1600	TANK (EVAPO)	1	591-0725F-21
76	109	669-2244	COLLAR 5.8	3	659-00801-20
77	110	668-4627	RETURN GROMMET	1	534-32710-20
78	111	668-4880	FUEL PIPE 3X5X80	1	700-03005-08
79	112	668-4620	PUMP FILTER BODY COMP.	1	675-04042-80
80	113	668-4619	CLIP,6.3 DIA.	1	680-00731-20
81	114	668-4618	FUEL PIPE	1	223-0097A-90
82	115	668-4709	HEX.HOLE BOLT M5X25/S	1	994-61050-254
83	116	669-5504	HEX.HOLE BOLT 5X16/PS	2	994-63050-164
84	117	669-1748	TANK CAP D ASS'Y	1	595-03002-90
85	118	669-5280	TAP SCREW 4X14P	1	993-49040-142
86	119	668-5070	BOLT WASHER M4	1	992-01040-011
87	120	668-4918	WASHER M5	1	992-01050-061
88	121	669-2183	TANK FIXING COLLAR	1	649-07250-20

E20-04 ENGINE-2



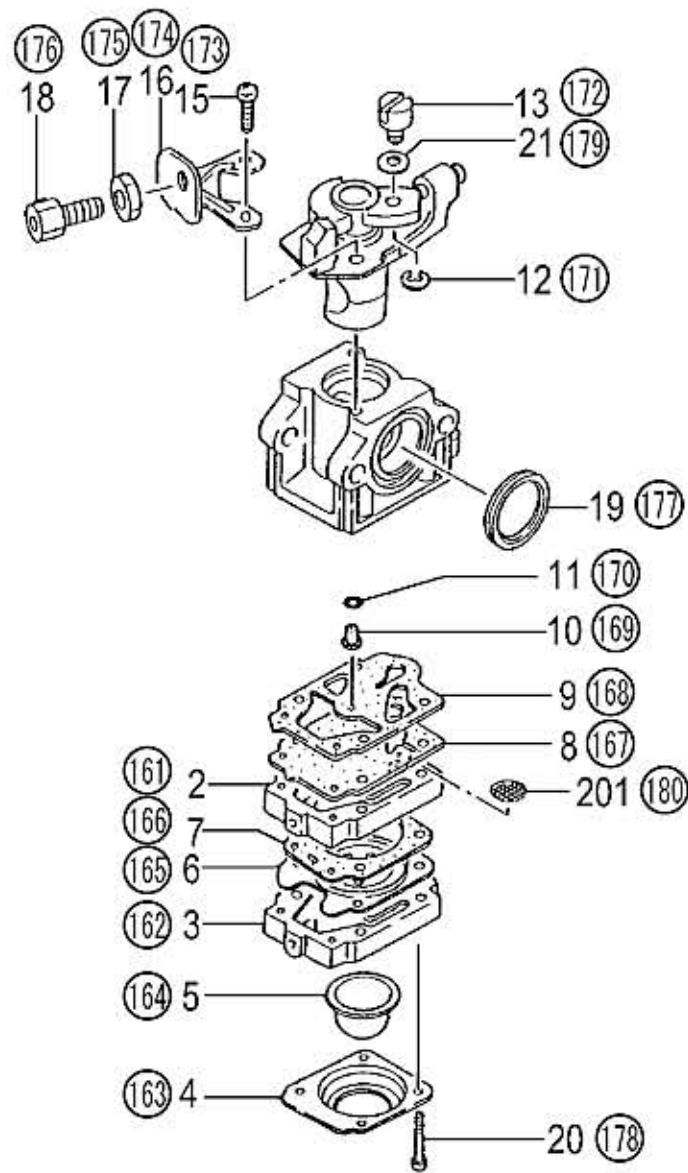
HITACHI NUMBER	REF. NUMBER	PARTS NUMBER	DESCRIPTION	Q'TY	TANAKA PARTS NUMBER
E20-04 ENGINE-2					
101	1	668-5689	CYLINDER COVER BLK	1	016-07250-21
102	4	669-5504	HEX.HOLE BOLT 5X16/PS	2	994-63050-164
103	5	669-5067	HEX.HOLE BOLT 6X65	2	990-51060-653
104	6	668-4639	WASHER 6	2	992-01060-011
105	7	669-2572	MUFFLER COMP	1	706-07250-80
106	10	669-2714	TAIL PIPE SET	1	734-07250-91
107	11	668-4651	SCREW M4X8/WS	2	994-36040-081
108	13	669-2701	SPARK ARRESTER	1	732-07250-20
109	14	669-2888	TAIL PIPE GASKET	1	751-07250-20
110	16	668-7263	HEAT SHIELD	1	133-07250-20
111	21	669-2811	MUFFLER PROTECTOR BLK	1	738-07250-20
112	24	669-5508	HEX. HOLE BOLT 4X18WS	2	994-64040-185
113	30	668-8351	PLUG COVER	1	257-07250-20
114	31	668-9645	CLUTCH WASHER B	2	359-10112-20
115	32	668-8610	CLUTCH ARM COMP.	2	290-0138A-80
116	33	668-9420	CLUTCH SPRING	1	342-0138A-20
117	35	668-9628	CLUTCH STEP BOLT	2	357-0136U-20
118	36	668-4647	HEX.HOLE BOLT M5X18/WS	4	994-64050-184
119	38	669-5203	WAVE WASHER 10	4	992-04100-030
120	39	668-4682	HEX.HOLE BOLT 4X15/PS	1	994-63040-154
121	43	668-7023	FAN CASE BARREL FINISH	1	112-07033-20
122	71	668-8057	PRIMARY CORD GROMMET	1	203-11660-20

E20-05 RECOIL STARTER



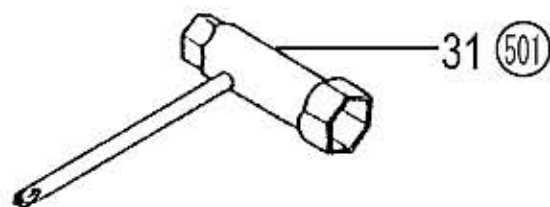
HITACHI NUMBER	REF. NUMBER	PARTS NUMBER	DESCRIPTION	Q'TY	TANAKA PARTS NUMBER
E20-05 RECOIL STARTER					
141	0	669-2969	RECOIL STARTER ASS'Y	1	762-0162V-91
142	2	669-3227	STARTER HANDLE	1	785-01620-20
143	3	669-3135	ROPE GUIDE	1	780-06150-20
144	4	669-3036	RECOIL STARTER BODY	1	772-06150-21
145	5	669-3111	RECOIL SPRING	1	779-0136U-20
146	6	669-3157	ROPE 3.5X890	1	783-0162V-20
147	7	669-3057	STARTER ROPE REEL	1	774-0162V-20
148	8	669-3419	ROPE REEL WASHER	1	801-0162V-20
149	9	669-3632	SET SCREW	1	839-00025-20

E20-06 CARBURETOR



HITACHI NUMBER	REF. NUMBER	PARTS NUMBER	DESCRIPTION	Q'TY	TANAKA PARTS NUMBER
E20-06 CARBURETOR					
161	2	668-4879	PUMP BODY COMP.	1	575-25153-80
162	3	668-4687	PRIMING PUMP COMP.	1	442-25151-80
163	4	668-4688	DIAPHRAGM COVER	1	476-25151-20
164	5	668-4689	PRIMING BODY	1	447-25108-20
165	6	669-0830	METERING DIAPHRAGM COMP.	1	474-25241-80
166	7	668-4691	DIAPHRAGM GASKET	1	475-25153-20
167	8	668-4693	PUMP DIAPHRAGM	1	576-25100-20
168	9	669-1457	PUMP GASKET	1	577-25100-20
169	10	669-6130	MAIN JET #38.5	1	599-200BW-38
170	11	668-4695	O-RING	1	550-25100-20
171	12	668-4696	STOP RING	1	489-25100-20
172	13	668-4697	SWIVEL	1	539-25120-20
173	15	668-4870	THROTTLE SET SCREW	2	514-25100-20
174	16	668-4873	CABLE ADJUSTER STAY	1	544-25164-20
175	17	668-4872	LOCK NUT M6	1	991-01060-013
176	18	668-4871	CABLE ADJUSTER	1	614-25137-20
177	19	668-4875	CLEANER PACKING	1	431-0634C-20
178	20	668-4699	SET SCREW	4	548-25151-20
179	21	668-4874	THRUST WASHER	1	549-25165-20
180	201	668-4700	INLET SCREEN	1	578-25007-20

E20-07 TOOLS



HITACHI NUMBER	REF. NUMBER	PARTS NUMBER	DESCRIPTION	Q'TY	TANAKA PARTS NUMBER
E20-13 TOOLS					
501	31	668-4764	BOX WRENCH (HEX. SOCKET 17/19)	1	826-20000-80