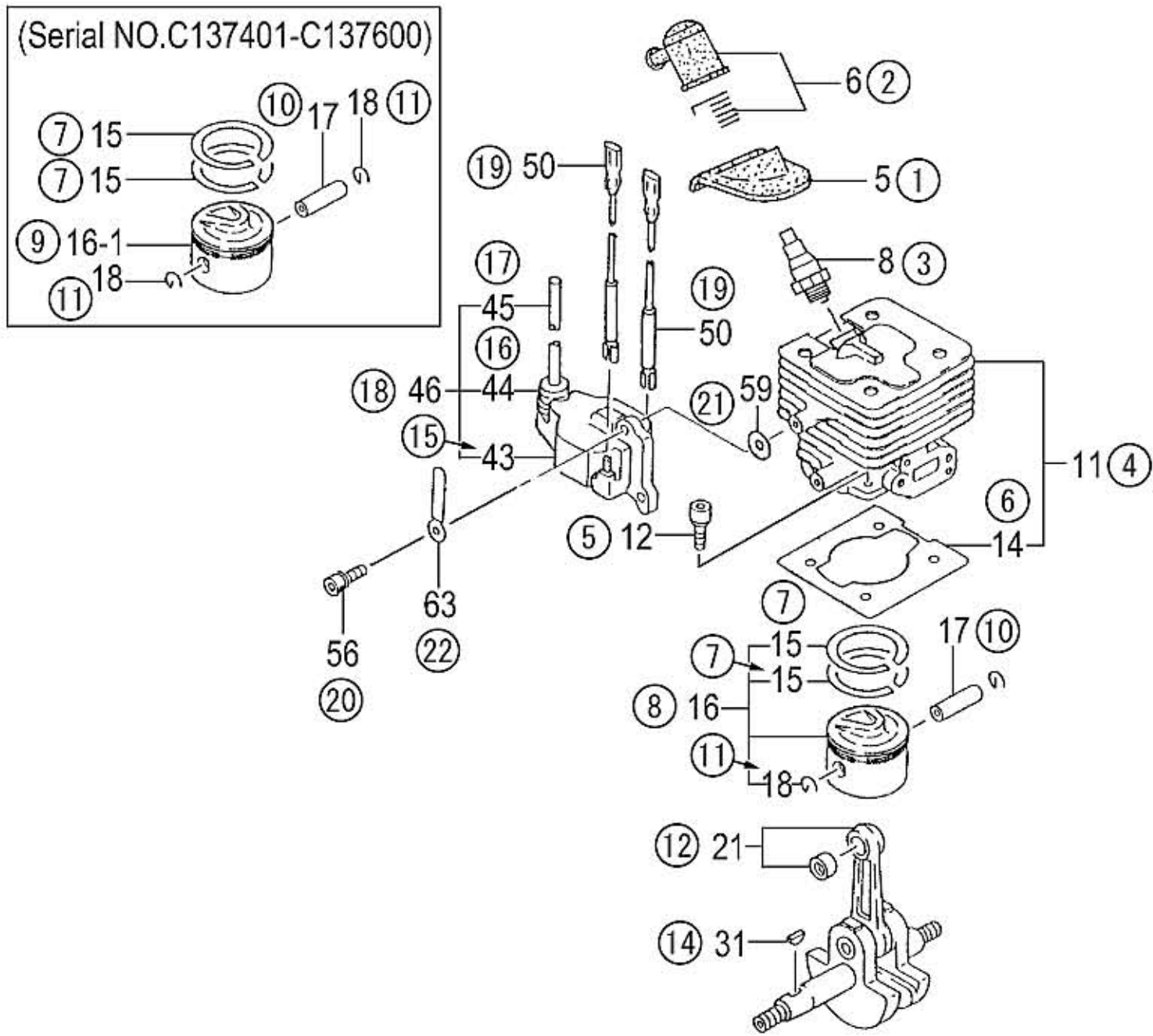


E08-01 CYLINDER/PISTON/CRANK SHAFT

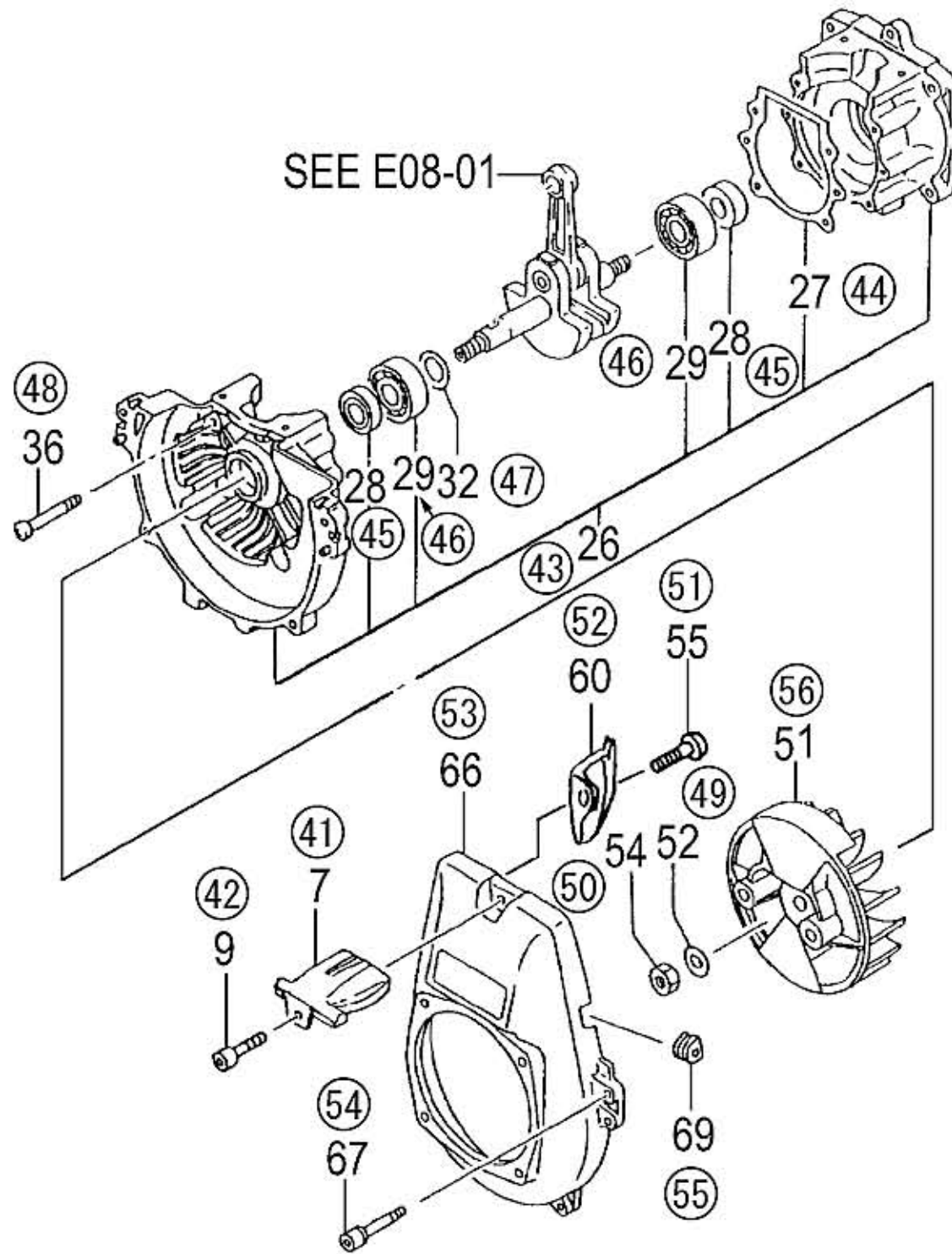


HITACHI NUMBER	REF. NUMBER	PARTS NUMBER	DESCRIPTION	Q'TY	TANAKA PARTS NUMBER
E08-01 CYLINDER/PISTON/CRANK SHAFT					
1	5	668-8336	SPARK PLUG RUBBER COVER	1	255-04200-20
2	6	668-7479	SPARK PLUG CAP ASS'Y	1	157-11666-90
3	8	668-5085	SPARK PLUG BPM6A	1	018-11660-21
4	11	668-5476	CYLINDER SET	1	001-04405-90
4	11	668-5477	CYLINDER SET PN	1	001-04413-90
4	11	668-5476	CYLINDER SET	1	001-04405-90
4	11	668-5477	CYLINDER SET PN	1	001-04413-90
5	12	668-4668	HEX.HOLE BOLT M5X20/S	4	994-61050-204
6	14	668-5741	CYLINDER GASKET	1	017-04400-20
7	15	668-6123	PISTON RING	2	041-04050-20
8	16	668-5889	PISTON SET	1	030-04400-90
9	16-1	NLA	No Longer Available	1	NLA
8	16	668-5889	PISTON SET	1	030-04400-90
8	16	668-5888	PISTON SET	1	030-0423Z-90
10	17	668-6007	PISTON PIN 10X30	1	037-01000-20
11	18	668-6032	PISTON PIN CIRCLIP	2	039-05004-20
11	18	668-6026	PISTON PIN CIRCLIP	2	039-01000-20
11	18	668-6032	PISTON PIN CIRCLIP	2	039-05004-20
12	21	668-6192	CRANK SHAFT COMP.	1	046-04400-80
14	31	668-6457	WOOD-RUFF KEY 3X13X5	1	068-02000-20
15	43	668-7655	IGNITION COIL COMP.	1	167-20543-80
16	44	668-4602	RUBBER CAP	1	560-20517-20
17	45	668-7885	HIGHT TENSION CORD	1	178-20543-22
18	46	668-7657	IGNITION COIL ASS'Y	1	167-20543-91
19	50	668-7924	STOP CORD, B 220M	2	179-00070-80
19	50	668-7924	STOP CORD, B 220M	1	179-00070-80
20	56	669-5406	SCREW 4X18/M/S	2	994-16040-183
21	59	668-4600	WASHER	2	182-0186A-20
22	63	668-8011	CORD CLAMP COMP.	1	198-11600-80

形 名

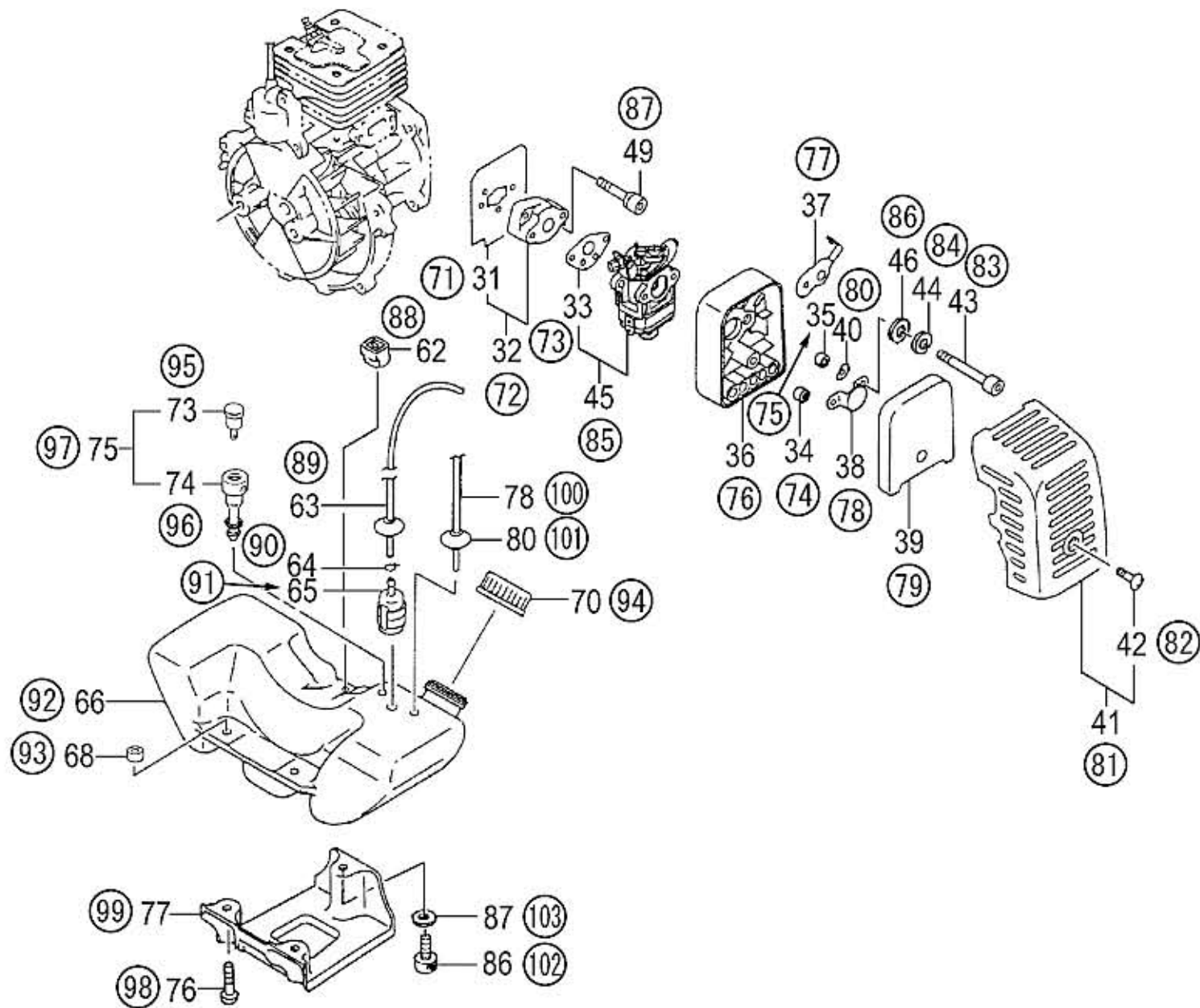
PF4210

E08-02 CRANK CASE



HITACHI NUMBER	REF. NUMBER	PARTS NUMBER	DESCRIPTION	Q'TY	TANAKA PARTS NUMBER
E08-02 CRANK CASE					
41	7	668-8348	PROTECTOR	1	257-04400-20
42	9	668-4634	HEX.HOLE BOLT 5X20/PS	1	994-63050-204
43	26	668-6559	CRANK CASE ASS'Y	1	072-04400-91
44	27	668-6715	CRANK CASE GASKET	1	090-04400-20
45	28	669-5637	OIL SEAL UD15257	2	999-66152-564
46	29	669-5557	BALL BEARING #6202, 35MM/OD	2	999-61620-200
47	32	668-6470	CRANK SHAFT SHIM 0.10	V	071-02007-21
47	32	668-6471	CRANK SHAFT SHIM 0.15	V	071-02007-22
47	32	668-6472	CRANK SHAFT SHIM 0.20	V	071-02007-23
47	32	668-6473	CRANK SHAFT SHIM 0.30	V	071-02007-24
48	36	668-4786	HEX. SOCKET HD. BOLT M5X30 S	4	994-61050-304
56	51	668-7372	MAGNETO ROTOR COMP.	1	155-20538-80
49	52	669-5198	WASHER 10	1	992-01100-011
50	54	669-5139	SMALL NUT 10	1	991-11100-013
51	55	669-5333	SCREW 5X10/S	1	994-14050-101
52	60	668-7208	AIR DEFLECTOR	1	132-04400-20
53	66	668-6983	FAN CASE (POLISHED)	1	112-04413-21
54	67	668-4668	HEX.HOLE BOLT M5X20/S	4	994-61050-204
55	69	668-8057	PRIMARY CORD GROMMET	1	203-11660-20

E08-03 ENGINE-1

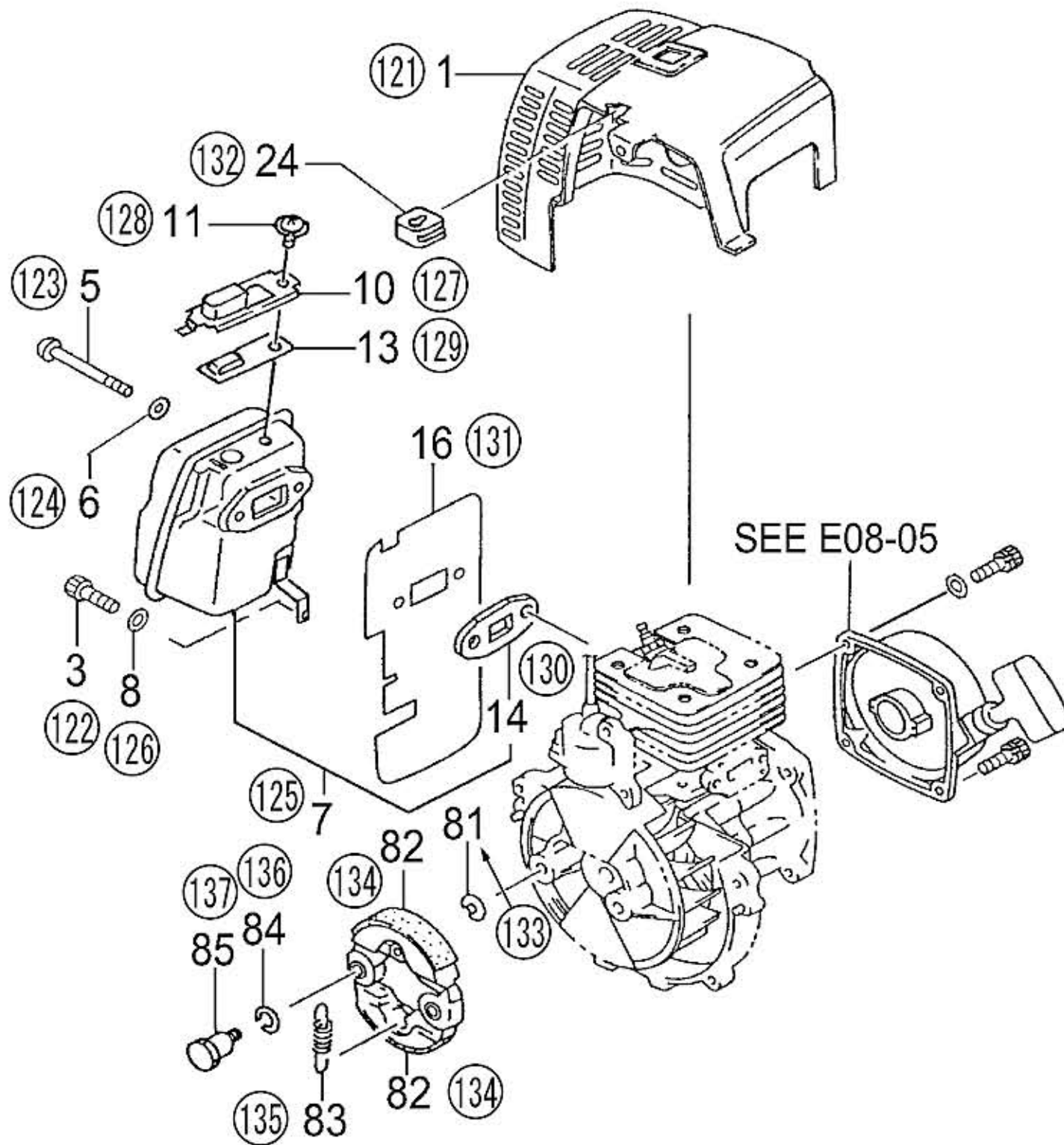


HITACHI NUMBER	REF. NUMBER	PARTS NUMBER	DESCRIPTION	Q'TY	TANAKA PARTS NUMBER
E08-03 ENGINE-1					
71	31	668-9885	INLET MANIFOLD GASKET	1	403-04300-20
72	32	668-9955	CARB.INSULATOR SET, SPARE	1	404-04300-90
73	33	668-9833	CARBURETOR GASKET	1	402-04300-20
74	34	669-0430	COLLAR	1	453-0637C-20
75	35	669-0802	COLLAR	1	470-01380-20
76	36	669-0099	CLEANER BODY COMP.	1	423-01380-82
77	37	669-1258	CHOKE VALVE	1	528-01380-21
78	38	669-0843	BLOW OVER CHECK BOARD	1	476-01700-20
79	39	669-6045	CLEANER SPONGE	1	446-01380-00
79	39	669-0352	CLEANER ELEMENT 6T	2	446-01380-21
80	40	668-4658	WAVE WASHER 8	1	992-04080-031
81	41	669-0397	CLEANER COVER ASS'Y	1	452-01380-91
82	42	668-9737	SPECIAL SCREW	1	380-0637C-20
83	43	668-4660	SCREW M5X60	2	990-11050-602
84	44	668-4662	S.WASHER 5	2	992-10050-012
85	45	669-0476	CARBURETOR SET, PN	1	455-04400-90
86	46	669-3248	STARTER PAWL WASHER	2	786-00601-20
87	49	669-5425	HEX. HOLE BOLT 5X25WS	2	994-16050-253
88	62	669-2182	TANK FIXING COLLAR	1	649-01680-20
89	63	668-4618	FUEL PIPE	1	223-0097A-90
90	64	668-4619	CLIP, 6.3 DIA.	1	680-00731-20
91	65	669-2273	PUMP FILTER BODY ASS'Y	1	675-01630-90
92	66	669-1539	TANK WHT	1	591-04413-22
92	66	669-1537	TANK (EVAPO)	1	591-0440F-20
93	68	668-4623	COLLAR C	3	659-04300-20
94	70	669-1768	TANK CAP ASS'Y, BLACK	1	595-0656B-90
95	73	669-2171	AIR VENT VALVE ASS'Y	1	646-06612-90
96	74	669-1395	AIR VENT PIPE	1	565-04410-20
97	75	669-1389	AIR VENT ASS'Y	1	564-06611-90
98	76	668-4634	HEX.HOLE BOLT 5X20/PS	2	994-63050-204
99	77	669-4785	ENGINE BED	1	940-04300-20
100	78	668-4880	FUEL PIPE 3X5X80	1	700-03005-08
101	80	668-8156	FUEL PIPE GROMMET	1	222-06300-20
102	86	668-4786	HEX. SOCKET HD. BOLT M5X30 S	1	994-61050-304
103	87	668-4918	WASHER M5	1	992-01050-061

形 名

PF4210

E08-04 ENGINE-2

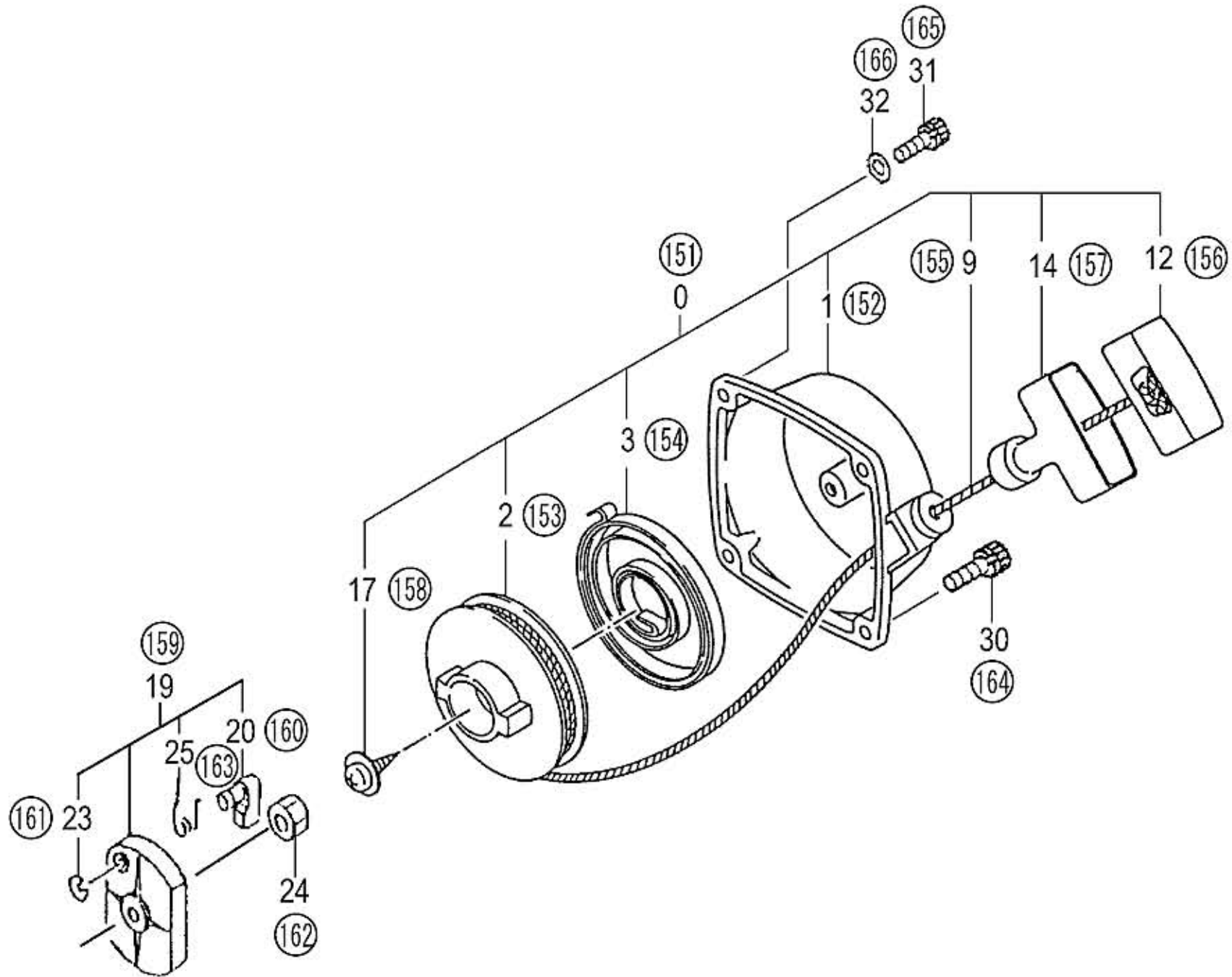


HITACHI NUMBER	REF. NUMBER	PARTS NUMBER	DESCRIPTION	Q'TY	TANAKA PARTS NUMBER
E08-04 ENGINE-2					
121	1	669-2783	MUFFLER PROTECTOR	1	738-0440A-21
122	3	668-4667	HEX.HOLE BOLT M5X12/S	1	994-61050-124
123	5	669-5067	HEX.HOLE BOLT 6X65	2	990-51060-653
124	6	668-4639	WASHER 6	2	992-01060-011
125	7	669-2472	MUFFLER SET, PN	1	704-04400-90
126	8	668-4918	WASHER M5	1	992-01050-061
127	10	669-2652	TAIL PIPE	1	721-04400-20
128	11	668-5109	MACHINE SCREW (W/SP. WASHER) M4X8	1	994-34040-081
129	13	669-2696	MUFFLER ARRESTOR	1	732-04400-20
130	14	669-2741	MUFFLER GASKET	1	737-04230-20
131	16	668-7246	HEAT SHIELD	1	133-04400-21
132	24	668-8055	PRIMARY CORD GROMMET	1	203-10000-20
133	81	668-9645	CLUTCH WASHER B	2	359-10112-20
134	82	668-8614	CLUTCH ARM COMP.	2	290-04200-81
135	83	668-9428	CLUTCH SPRING	1	342-04200-20
136	84	669-5203	WAVE WASHER 10	2	992-04100-030
137	85	668-9632	CLUTCH STEP BOLT	2	357-04201-20

形 名

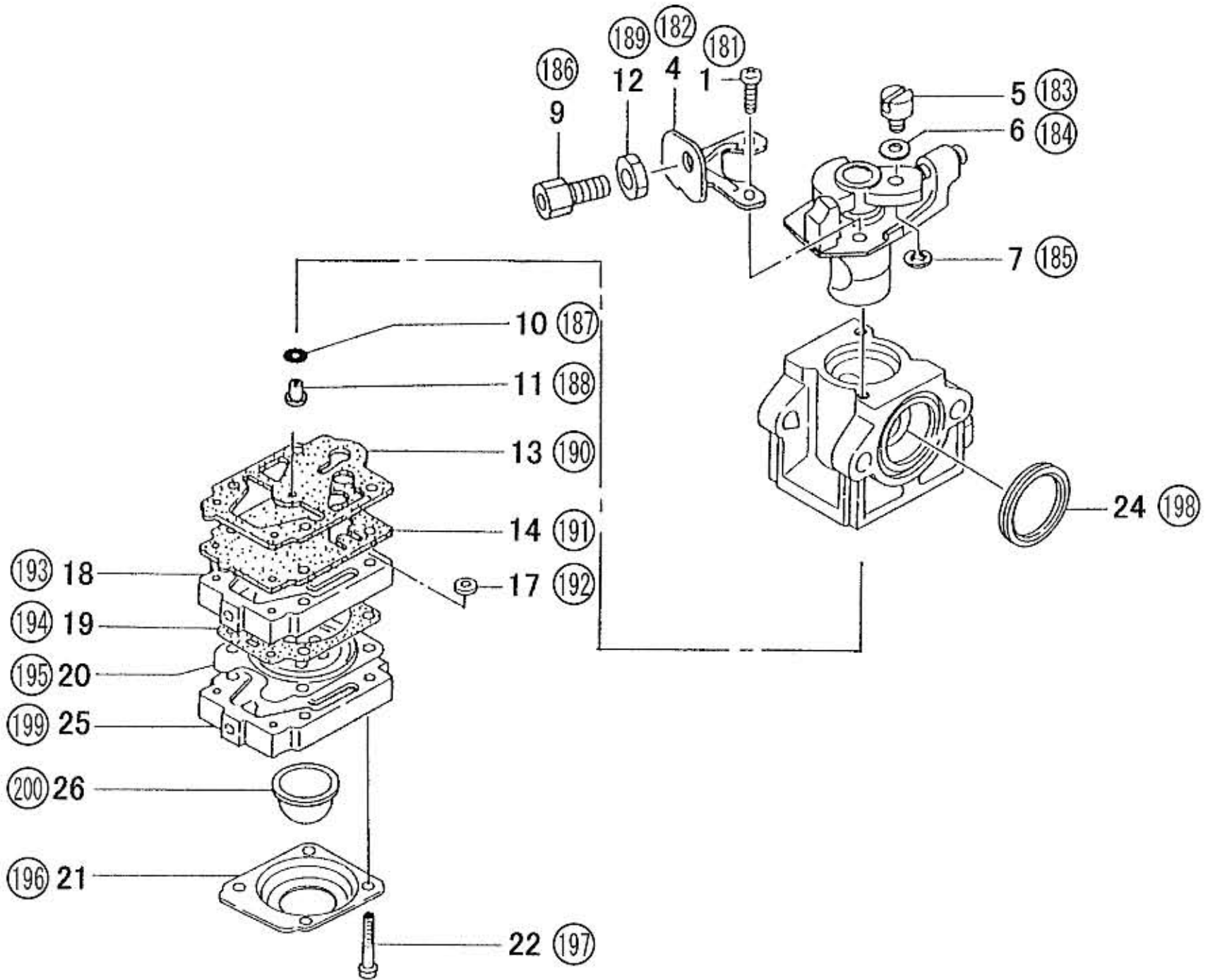
PF4210

E08-05 RECOIL STARTER



HITACHI NUMBER	REF. NUMBER	PARTS NUMBER	DESCRIPTION	Q'TY	TANAKA PARTS NUMBER
E08-05 RECOIL STARTER					
151	0	669-2970	RECOIL STARTER BODY ASS'Y	1	762-04220-90
152	1	669-3025	RECOIL STARTER BODY COMP.	1	772-04220-80
153	2	669-3007	STARTER ROPE REEL	1	769-04220-20
154	3	669-3114	RECOIL SPRING	1	779-04220-20
155	9	669-3165	STARTER ROPE	1	783-04270-20
156	12	669-3607	STARTER HANDLE CAP	1	835-04220-20
157	14	669-3232	STARTER HANDLE	1	785-04220-20
158	17	669-3634	SET SCREW	1	839-04220-20
159	19	669-3395	STARTER PULLEY	1	798-04220-90
160	20	669-3302	STARTER PAWL	1	788-0162V-20
161	23	668-4683	STOP RING E-5	1	993-55050-000
162	24	669-5139	SMALL NUT 10	1	991-11100-013
163	25	669-3345	STARTER PAWL SPRING	1	790-0162V-20
164	30	668-4634	HEX.HOLE BOLT 5X20/PS	2	994-63050-204
165	31	668-4709	HEX.HOLE BOLT M5X25/S	2	994-61050-254
166	32	668-4918	WASHER M5	2	992-01050-061

E08-06 CARBURETOR

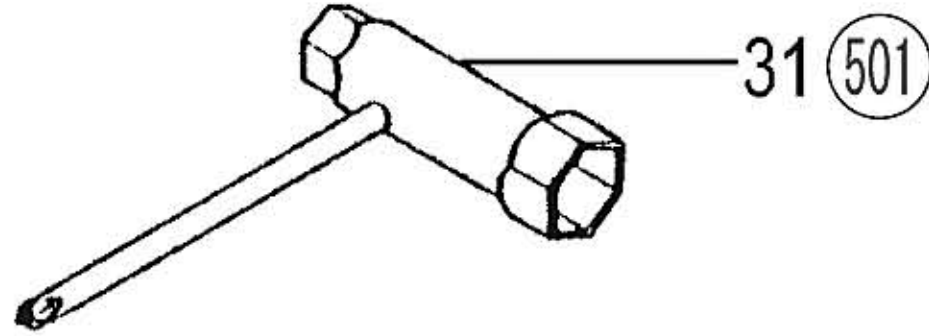


HITACHI NUMBER	REF. NUMBER	PARTS NUMBER	DESCRIPTION	Q'TY	TANAKA PARTS NUMBER
E08-06 CARBURETOR					
181	1	668-4870	THROTTLE SET SCREW	2	514-25100-20
182	4	668-4873	CABLE ADJUSTER STAY	1	544-25164-20
183	5	668-4697	SWIVEL	1	539-25120-20
184	6	668-4874	THRUST WASHER	1	549-25165-20
185	7	668-4696	STOP RING	1	489-25100-20
186	9	668-4871	CABLE ADJUSTER	1	614-25137-20
187	10	668-4695	O-RING	1	550-25100-20
188	11	669-6131	MAIN JET, #44.5	1	599-200BW-44
189	12	668-4872	LOCK NUT M6	1	991-01060-013
190	13	669-1457	PUMP GASKET	1	577-25100-20
191	14	668-4693	PUMP DIAPHRAGM	1	576-25100-20
192	17	668-4700	INLET SCREEN	1	578-25007-20
193	18	668-4879	PUMP BODY COMP.	1	575-25153-80
194	19	668-4691	DIAPHRAGM GASKET	1	475-25153-20
195	20	669-0827	METERING DIAPHRAGM COMP. #	1	474-25001-80
196	21	668-4688	DIAPHRAGM COVER	1	476-25151-20
197	22	668-4699	SET SCREW	4	548-25151-20
198	24	668-4875	CLEANER PACKING	1	431-0634C-20
199	25	668-4687	PRIMING PUMP COMP.	1	442-25151-80
200	26	668-4689	PRIMING BODY	1	447-25108-20

形 名

PF4210

E08-07 TOOLS



HITACHI NUMBER	REF. NUMBER	PARTS NUMBER	DESCRIPTION	Q'TY	TANAKA PARTS NUMBER
E08-07 TOOLS					
501	31	668-4764	BOX WRENCH (HEX. SOCKET 17/19)	1	826-20000-80