

HITACHI

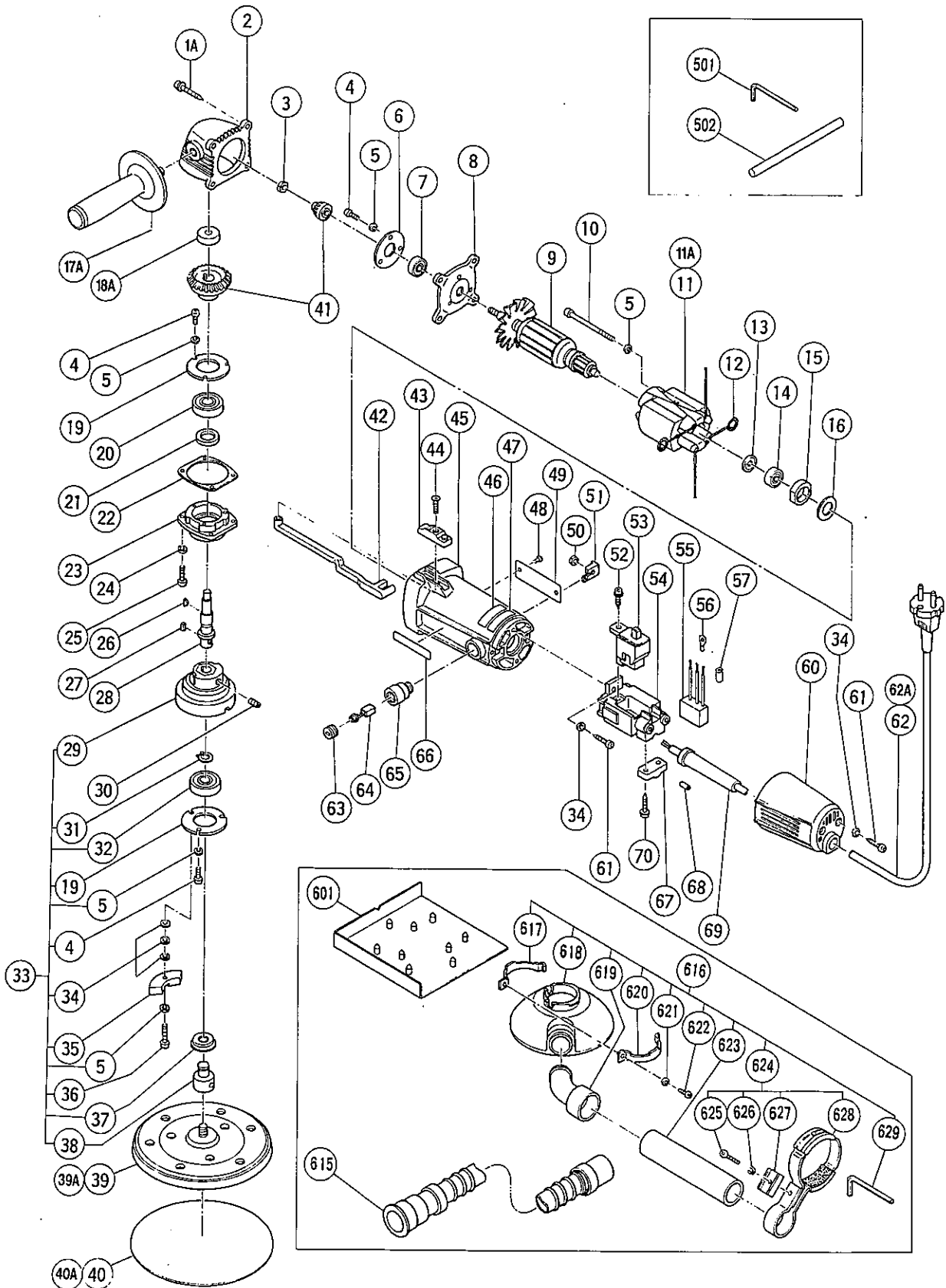
ORIGINAL

LIST NO. 0328

ELECTRIC TOOL PARTS LIST

■ ROTARY ORBITAL SANDER
Model SAY - 150A

1996 · 12 · 10
(E5)



PARTS

SAY - 150A

ITEM NO.	CODE NO.	DESCRIPTION	NO. USED	REMARKS	
1A	937-807	TAPPING SCREW D5X25	4		
2	980-770	GEAR COVER	1		
3	949-566	LOCK NUT M5 (10 PCS.)	1		
4	949-216	MACHINE SCREW M4X10 (10 PCS.)	8		
5	949-453	SPRING WASHER M4 (10 PCS.)	11		
6	937-125	BEARING COVER (A)	1		
7	608-VVM	BALL BEARING 608VVMC2EPS2L	1		
8	937-124	INNER COVER	1		
*	9	980-785C	ARMATURE 110V - 127V	1	
*	9	980-785E	ARMATURE 220V - 230V	1	
*	9	980-785F	ARMATURE 240V	1	
	10	930-176	MACHINE SCREW M4X65	2	
*	11	980-783C	STATOR ASS'Y 110V - 127V	1	INCLUD.12
*	11	980-783E	STATOR ASS'Y 220V - 230V	1	INCLUD.12
*	11	980-783H	STATOR ASS'Y 240V	1	INCLUD.12
*	11	980-783G	STATOR ASS'Y 220V - 230V	1	INCLUD.12 FOR NZL,DEN,SWE,AUT,NOR,SUI, GBR
*	11	980-783L	STATOR ASS'Y 220V	1	INCLUD.12 FOR ITA
*	11	980-783J	STATOR ASS'Y 110V	1	INCLUD.12 FOR GBR
*	11A	980-783K	STATOR ASS'Y 220V	1	INCLUD.12 FOR FRG,FRA,HOL
	12	930-630	BRUSH TERMINAL	2	
	13	937-706	DUST SEAL	1	
	14	626-VVM	BALL BEARING 626VVMC2ERPS2S	1	
	15	937-810	BEARING BUSHING	1	
	16	980-801	STOP PLATE	1	
	17A	956-633	SIDE HANDLE	1	
	18A	935-522	METAL	1	
	19	936-680	BEARING COVER (B)	2	
	20	620-1VV	BALL BEARING 6201VVMCPS2S	1	
	21	937-135	FELT PACKING	1	
	22	936-682	SEAL PACKING	1	
	23	980-772	PACKING GLAND	1	
	24	949-454	SPRING WASHER M5 (10 PCS.)	4	
	25	949-239	MACHINE SCREW M5X16 (10 PCS.)	4	
	26	940-220	WOODRUFF KEY 2.5X8	1	
	27	980-809	FEATHER KEY 4X4X8	1	
	28	980-806	SPINDLE (A)	1	
	29	980-810	SPINDLE CONNECTOR (A)	1	
	30	980-808	HEX. SOCKET SET SCREW M6X12	1	
	31	939-542	RETAINING RING FOR D12 SHAFT (10 PCS.)	1	
	32	620-1DD	BALL BEARING 6201DDUCMAV2S	1	
	33	980-807	CONNECTOR (A) ASS'Y	1	INCLUD.4,5,19,29,31,32,34 - 38
	34	949-423	WASHER M4 (10 PCS.)	5	
	35	980-777	COUNTER WEIGHT	1	
	36	949-221	MACHINE SCREW M4X20 (10 PCS.)	1	
	37	980-775	DUST SEAL	1	
	38	980-776	PAD SPINDLE	1	
*	39	980-780	SANDING PAD 150MM	1	
*	39A	985-684	PAD (PRESSURE SENSITIVE TYPE) 150MM	1	FOR FRA,SUI
*	40		SANDING PAPER (A) WA120	1	W/O HOLE

*: ALTERNATIVE PARTS

PARTS

SAY - 150A

ITEM NO.	CODE NO.	DESCRIPTION	NO. USED	REMARKS
* 40A		SANDING PAPER (ROUND) AA120	1	FOR FRA,SUI (W/O HOLE,PRESSURE SENSITIVE TYPE)
41	937-733	GEAR	1	
42	937-809	SLIDE BAR	1	
43	937-808	SLIDE KNOB	1	
44	949-317	FLAT HD. SCREW M3X10 (10 PCS.)	1	
45	937-800	HOUSING ASS'Y	1	INCLUD.63,65
* 46		CAUTION PLATE	1	FOR DEN,SWE,NOR
* 47		CAUTION PLATE	1	
48	932-642	RIVET D2.5X2.8	2	
49		NAME PLATE	1	
50	949-554	NUT M4 (10 PCS.)	2	
51	937-802	NUT COVER	2	
52	982-034	TAPPING SCREW (W/WASHER) D4X12	1	
53	980-778	SLIDE SWITCH (2P PILLAR TYPE)	1	
54	937-811	SWITCH HOLDER	1	
* 55	994-273	NOISE SUPPRESSOR	1	FOR NZL,ITA,FRG,GBR,DEN,NOR,SUI,FRA,HOL, SWE
* 55	971-828	NOISE SUPPRESSOR	1	FOR AUT
* 56	959-144	TERMINAL 50051 (10 PCS.)	1	FOR AUT
* 56	980-063	TERMINAL	1	FOR NZL,ITA,FRG,GBR,FRA,DEN,NOR,SUI,HOL, SWE
* 57	981-373	TUBE (D)	2	FOR NZL,GBR,ITA,FRG,FRA,HOL,DEN,SWE,AUT, NOR,SUI
60	937-812	TAIL COVER	1	
61	954-004	TAPPING SCREW D4X16	4	
* 62	500-201Z	CORD	1	(CORD ARMOR D10.2)
* 62	500-226Z	CORD	1	(CORD ARMOR D8.2) FOR NGU,NZL,AUS
* 62	500-234Z	CORD	1	(CORD ARMOR D8.2) FOR INA,SUR,MLT,ITA, FRG,FRA
* 62	500-247Z	CORD	1	(CORD ARMOR D10.2) FOR HOL,DEN,SWE,AUT, NOR
* 62	500-248Z	CORD	1	(CORD ARMOR D10.2) FOR SUI
* 62	500-231Z	CORD	1	(CORD ARMOR D8.2) FOR GBR (110V)
* 62A	500-436Z	CORD	1	(CORD ARMOR D8.2) FOR GBR (240V)
* 62A	500-423Z	CORD	1	(CORD ARMOR D8.2) FOR SIN,KUW
* 62A	500-447Z	CORD	1	(CORD ARMOR D8.2) FOR SYR
63	937-847	BRUSH CAP	2	
64	999-021	CARBON BRUSH (1 PAIR)	2	
65	937-846	BRUSH HOLDER	2	
66	957-561	HITACHI LABEL	1	
67	937-631	CORD CLIP	1	
68	981-373	TUBE (D)	2	
* 69	930-487	CORD ARMOR D8.2	1	
* 69	930-026	CORD ARMOR D10.2	1	
* 69	980-193	CORD ARMOR D10.2	1	FOR NOR
70	984-750	TAPPING SCREW (W/FLANGE) D4X16	2	

*: ALTERNATIVE PARTS

