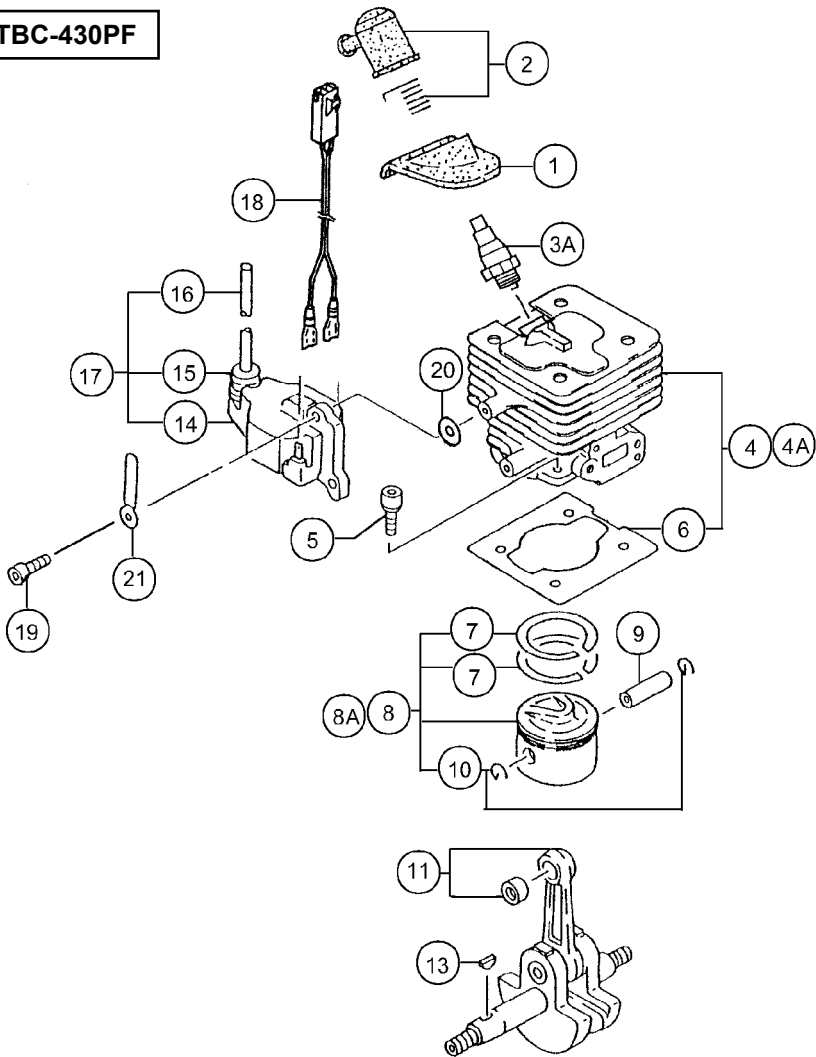
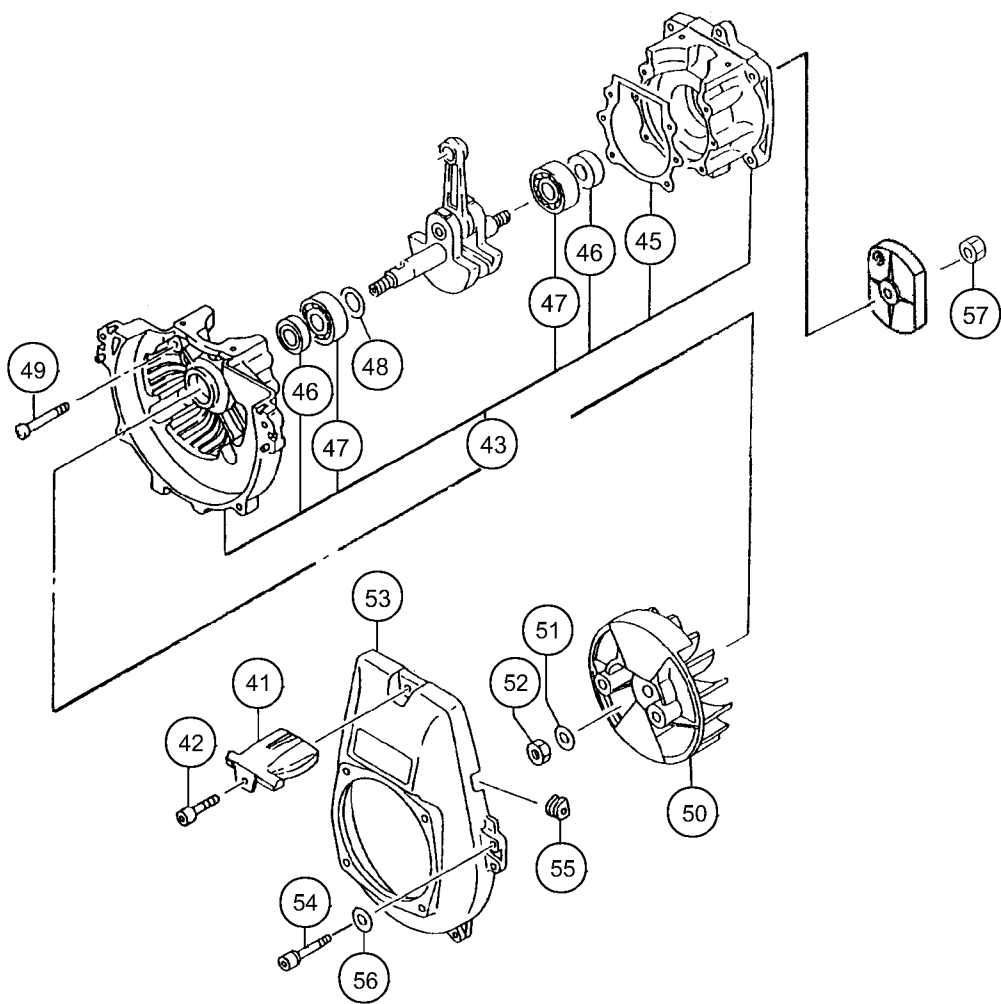
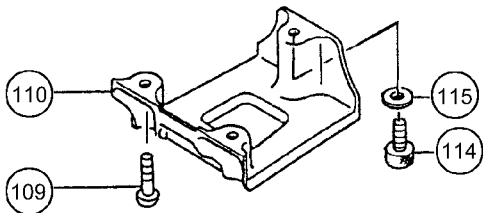
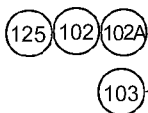
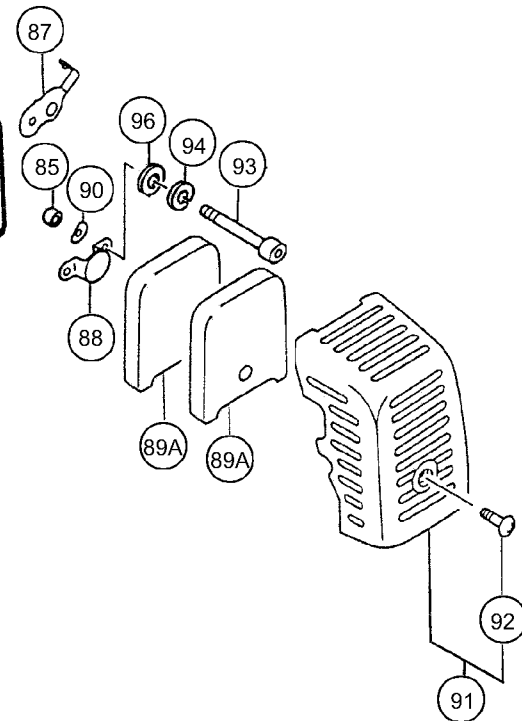
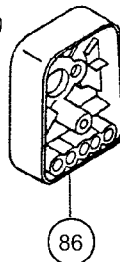
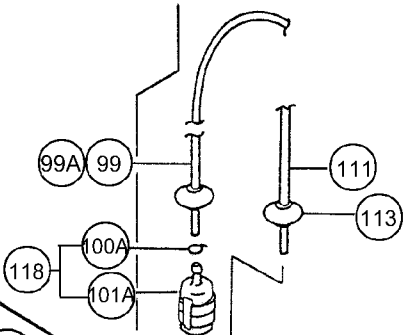
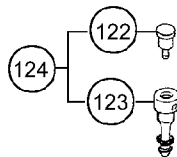
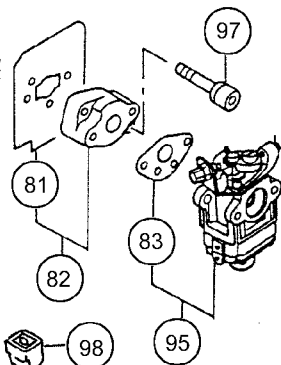
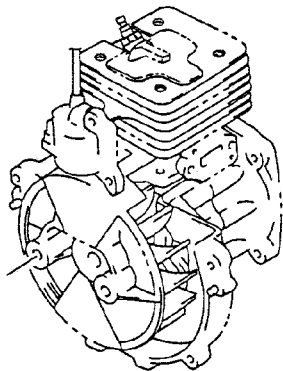
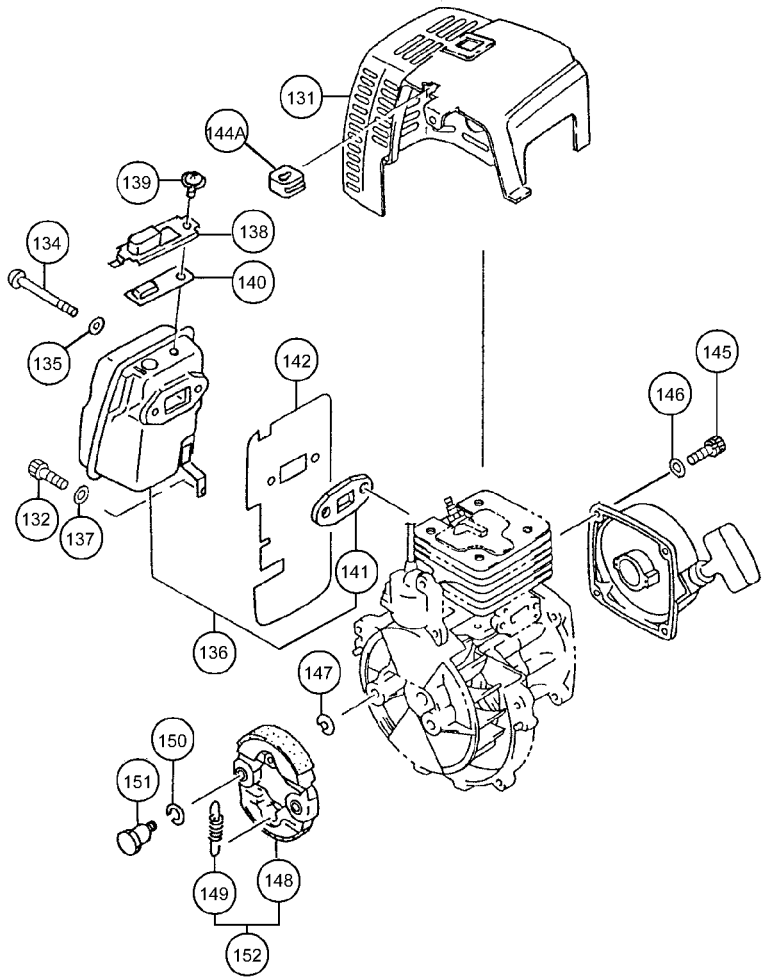


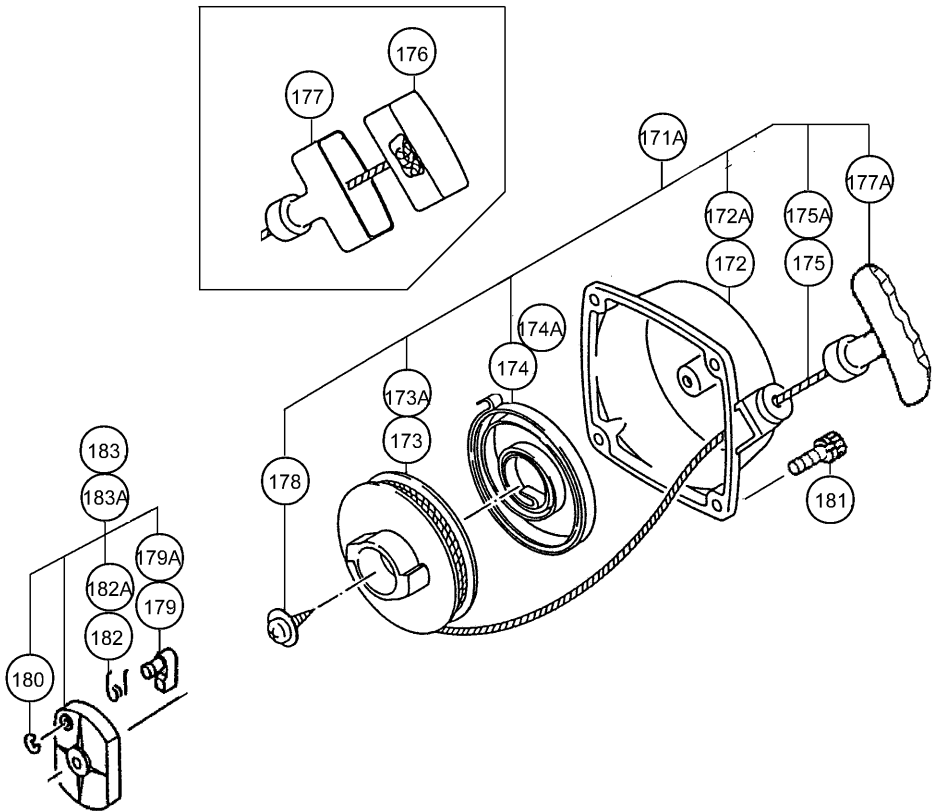
TBC-430PF

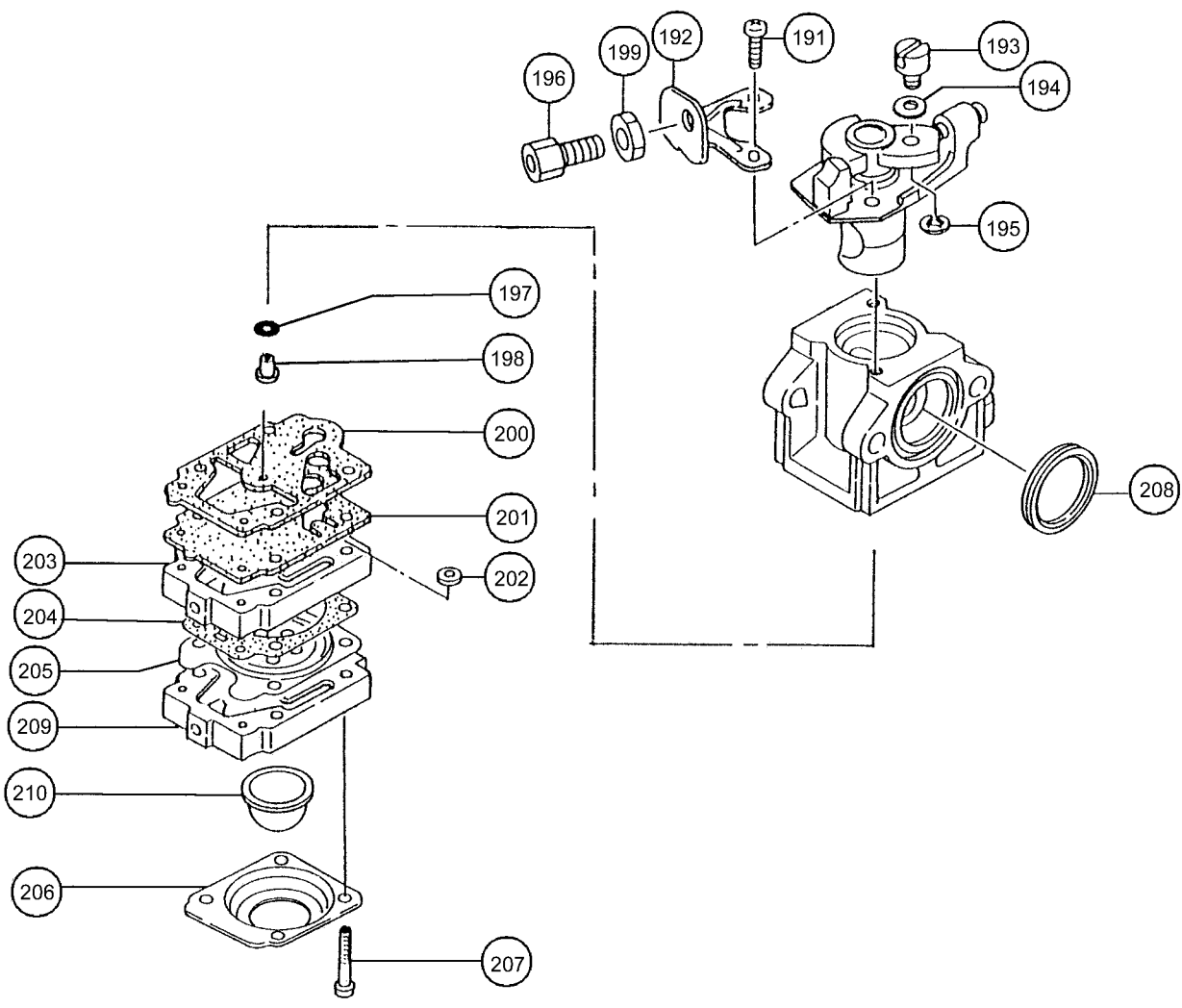


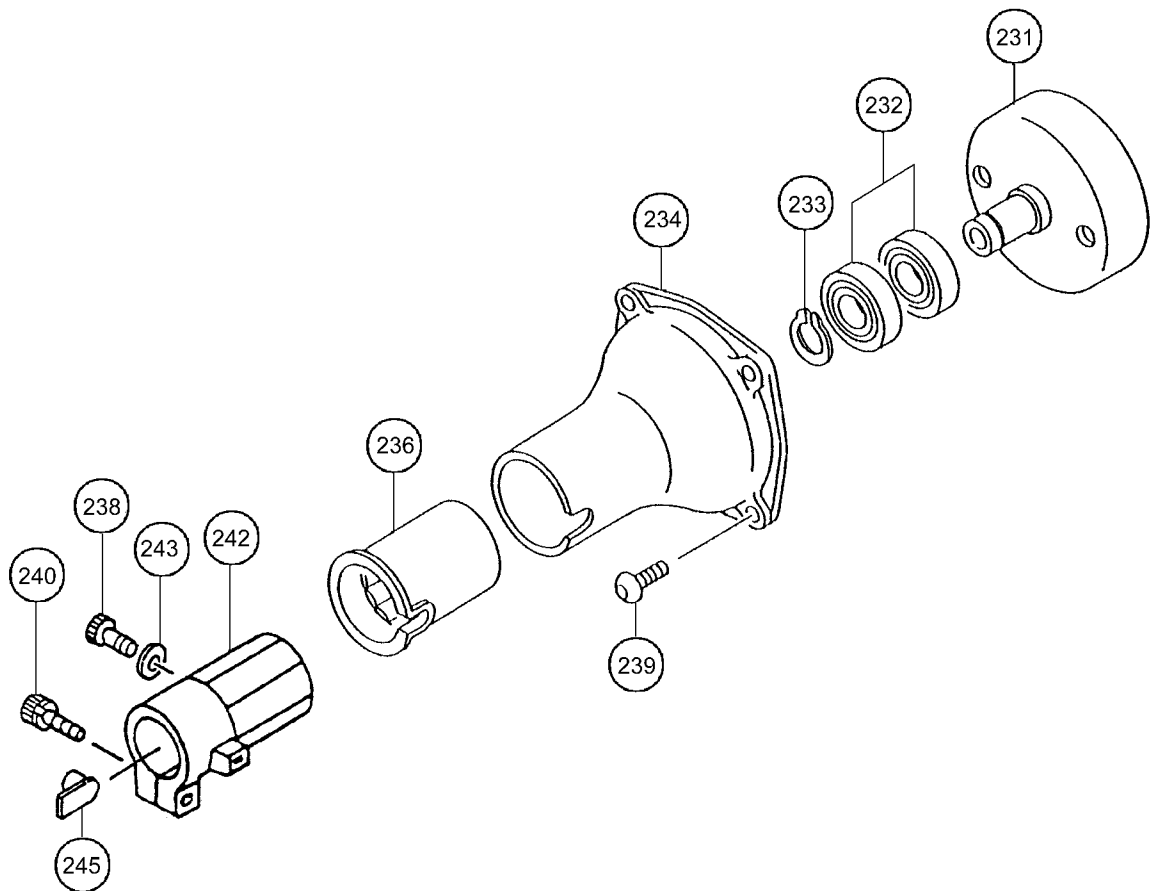


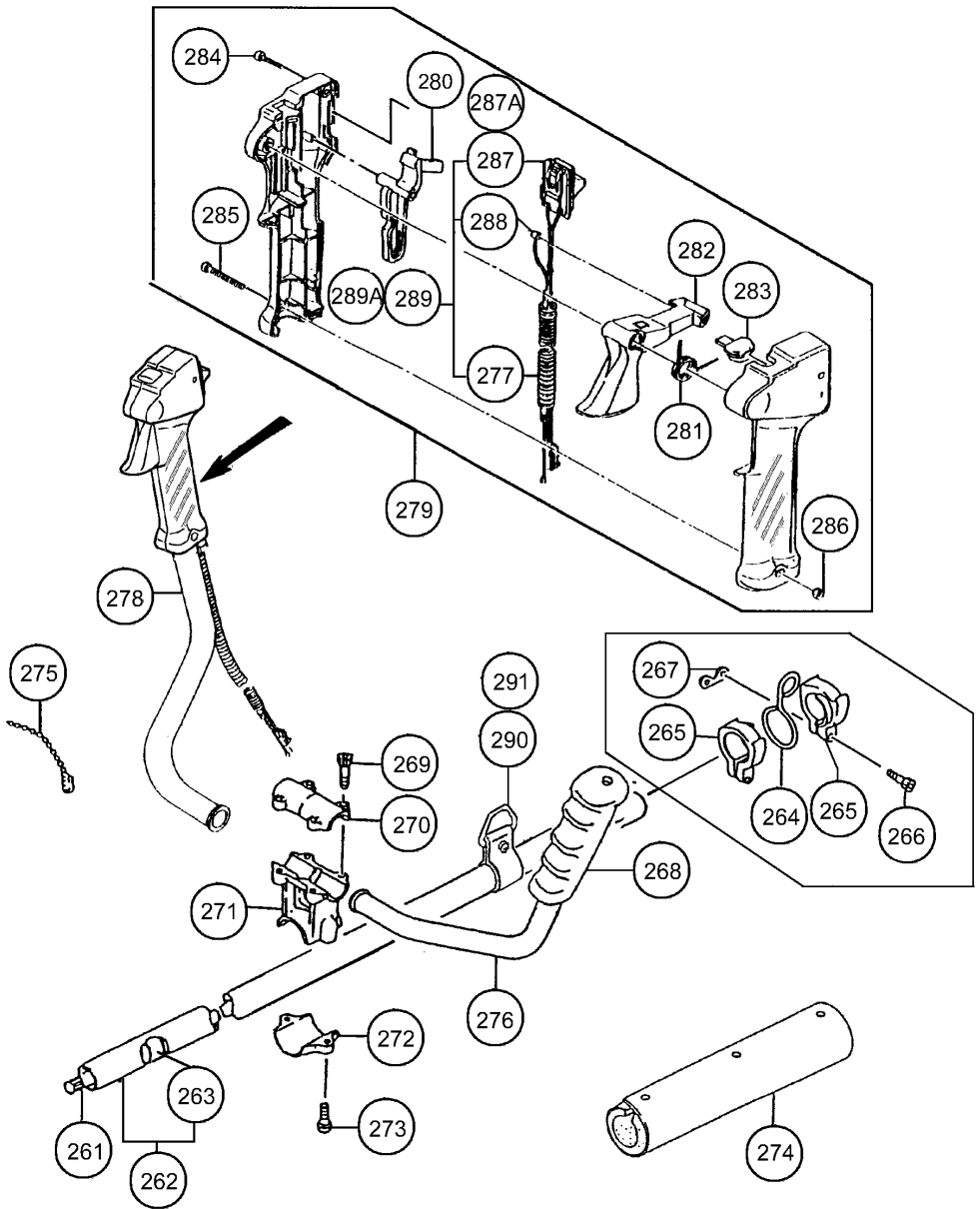


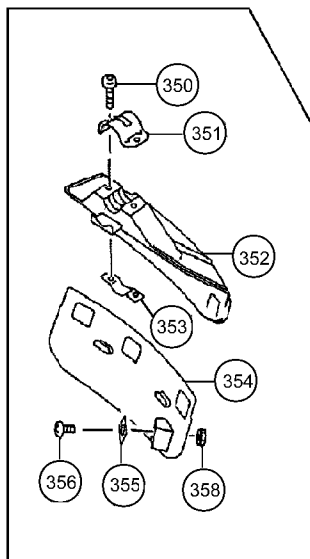
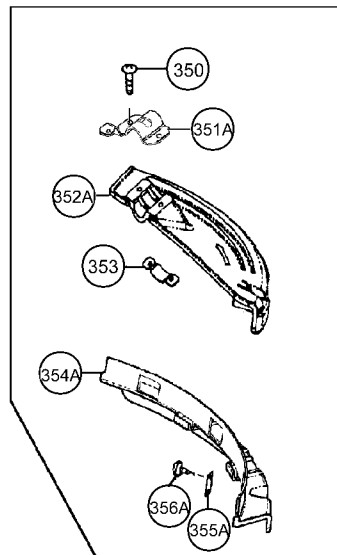
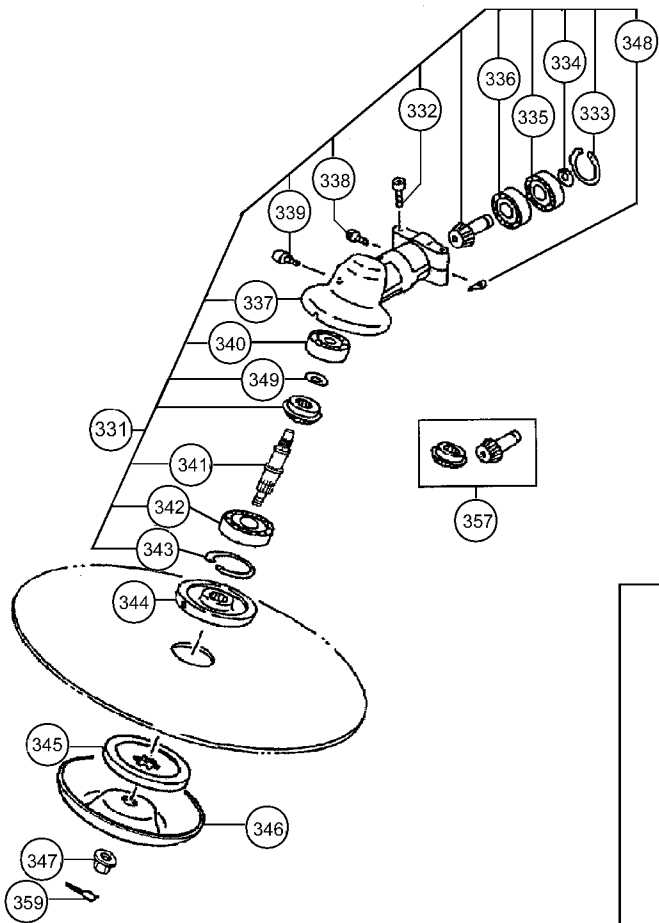


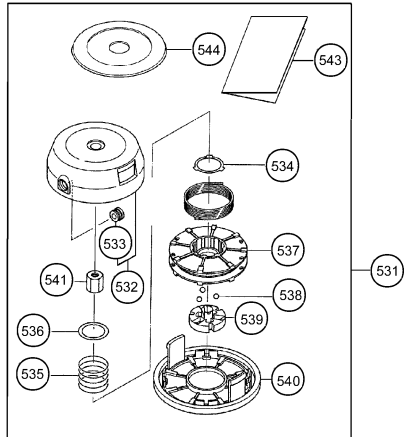
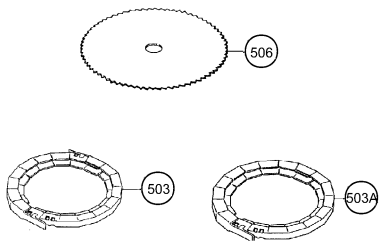
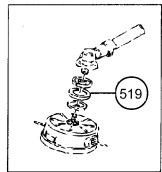
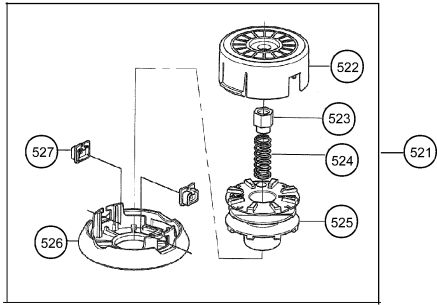
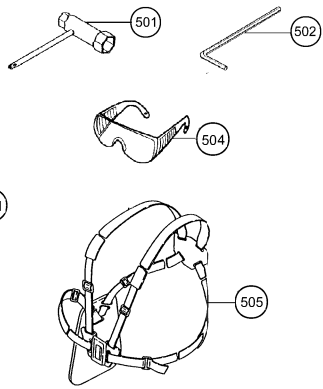
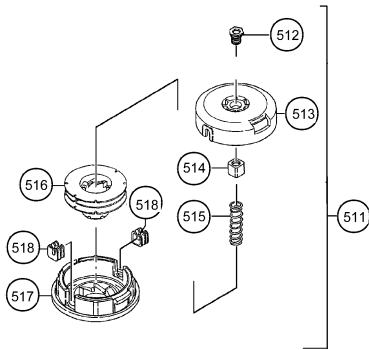












A circular logo with a dark background and a white, smoky or cloudy texture. The text "PureFire" is written in a large, white, stylized font. Below it, in a smaller white font, is the text "Low Emission Two-Stroke Engine". At the bottom of the circle, there is a small, faint logo that appears to be "Toto".

PureFire

Low Emission Two-Stroke Engine

601

A rectangular logo with rounded corners, featuring a dark background with a white, smoky or cloudy texture. The text "TBC-430PF" is written in a large, white, stylized font.

TBC-430PF

602

A rectangular logo with rounded corners, featuring a dark background with a white, smoky or cloudy texture. The text "PureFire" is written in a large, white, stylized font. A small "TM" trademark symbol is visible at the bottom right of the word "Fire".

PureFireTM

603