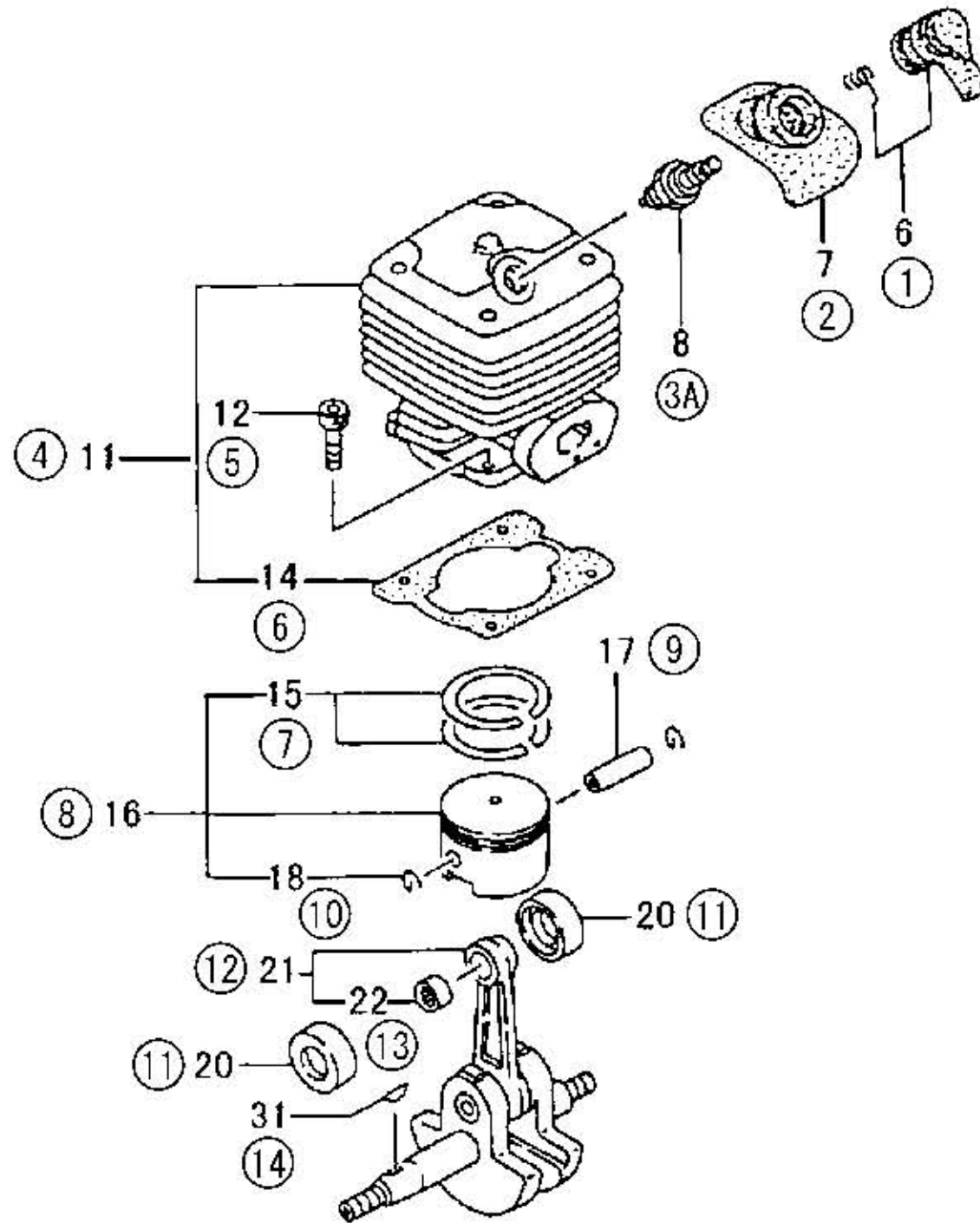
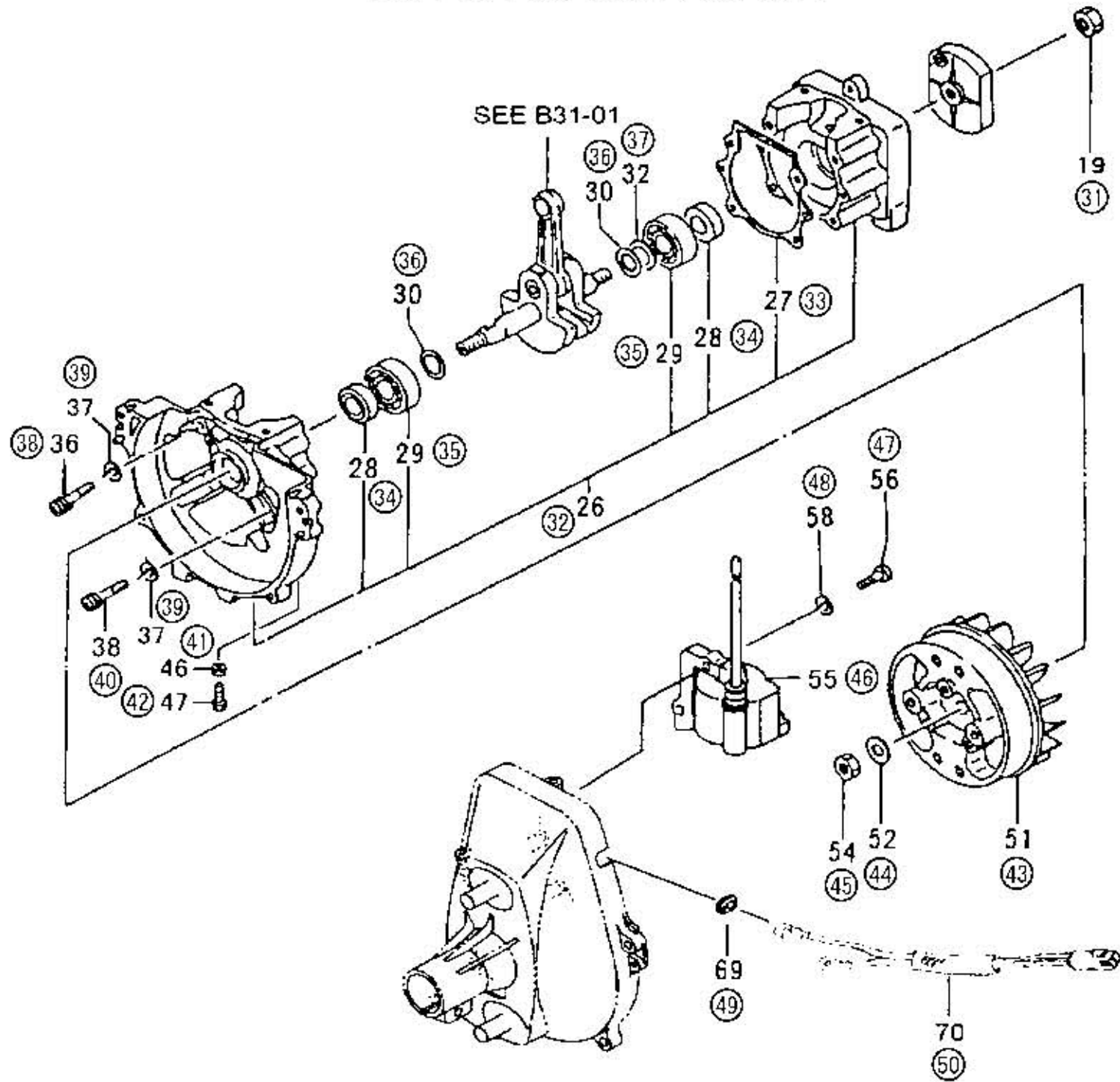


# B31-01 CYLINDER/PISTON/CRANK SHAFT



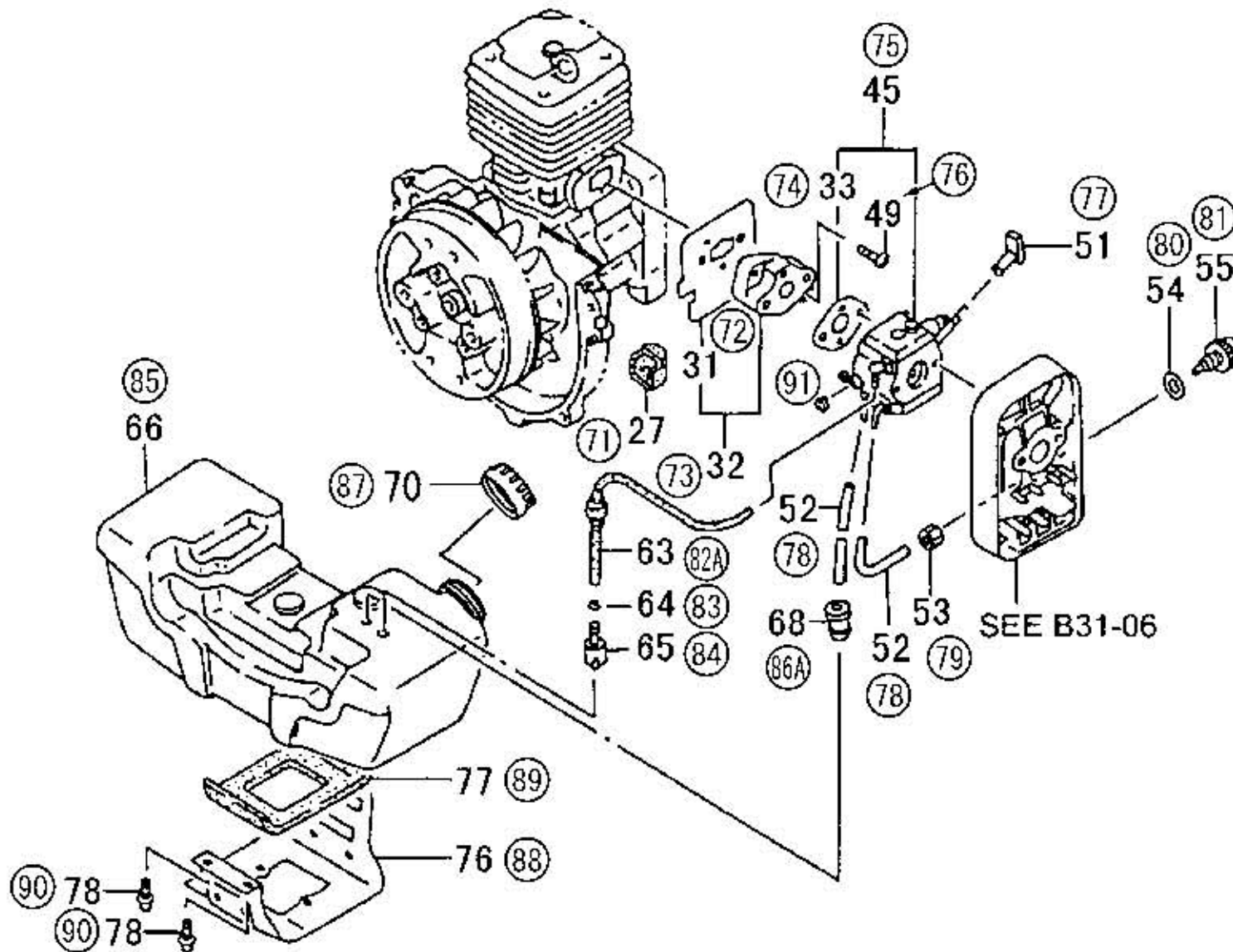
| HITACHI NUMBER                            | REF. NUMBER | PARTS NUMBER | DESCRIPTION             | Q'TY | TANAKA PARTS NUMBER |
|---|-------------|--------------|-------------------------|------|---------------------|
| <b>B31-01 CYLINDER/PISTON/CRANK SHAFT</b> |             |              |                         |      |                     |
| 1   | 6           | 668-7479     | SPARK PLUG CAP ASS'Y    | 1    | 157-11666-90        |
| 2   | 7           | 668-8336     | SPARK PLUG RUBBER COVER | 1    | 255-04200-20        |
| 3   | 8           | 668-5085     | SPARK PLUG BPM6A        | 1    | 018-11660-21        |
| 4   | 11          | 668-5470     | CYLINDER SET            | 1    | 001-0422U-90        |
| 5   | 12          | 668-4586     | HEX.HOLE BOLT M5X18/S   | 4    | 994-61050-184       |
| 6   | 14          | 668-5738     | CYLINDER GASKET         | 1    | 017-04220-21        |
| 7   | 15          | 668-6126     | PISTON RING             | 2    | 041-04090-21        |
| 8   | 16          | 668-5887     | PISTON SET              | 1    | 030-0422U-90        |
| 9   | 17          | 668-6019     | PISTON PIN 10X35        | 1    | 037-10100-20        |
| 10  | 18          | 668-6026     | PISTON PIN CIRCLIP      | 2    | 039-01000-20        |
| 11  | 20          | 668-5993     | PISTON PIN COLLAR       | 2    | 036-04090-20        |
| 12  | 21          | 668-6190     | CRANK SHAFT COMP.       | 1    | 046-04220-80        |
| 13  | 22          | 669-5602     | NEEDLE BEARING, 2X8.8   | 1    | 999-62101-480       |
| 14  | 31          | 668-6457     | WOOD-RUFF KEY 3X13X5    | 1    | 068-02000-20        |

# B31-02 CRANK CASE



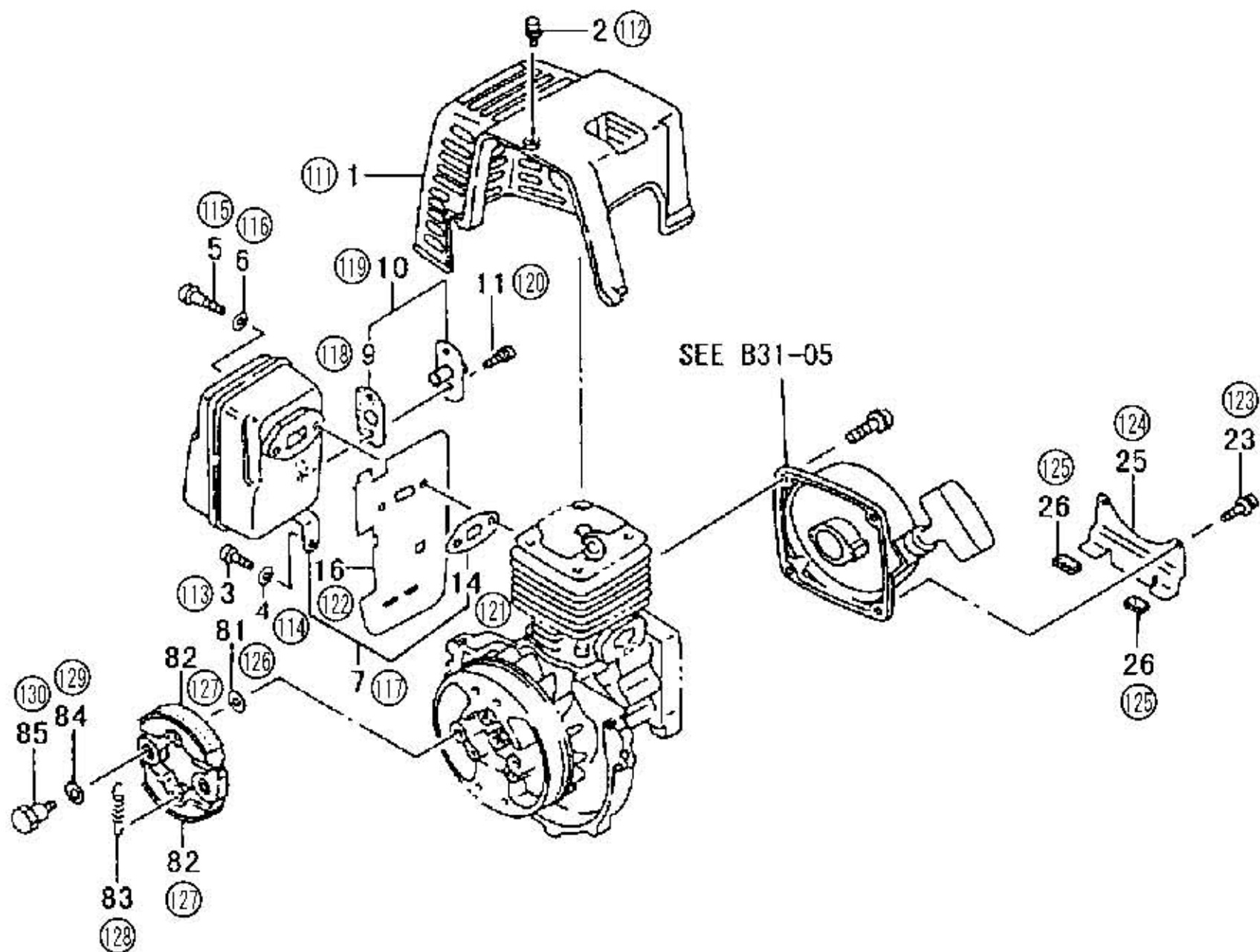
| HITACHI NUMBER           | REF. NUMBER | PARTS NUMBER | DESCRIPTION                    | Q'TY | TANAKA PARTS NUMBER |
|--------------------------|-------------|--------------|--------------------------------|------|---------------------|
| <b>B31-02 CRANK CASE</b> |             |              |                                |      |                     |
| 31                       | 19          | 669-5139     | SMALL NUT 10                   | 1    | 991-11100-013       |
| 32                       | 26          | 668-6553     | CRANK CASE ASS'Y               | 1    | 072-04220-91        |
| 33                       | 27          | 668-6713     | CRANK CASE GASKET              | 1    | 090-04200-21        |
| 34                       | 28          | 669-5637     | OIL SEAL UD15257               | 2    | 999-66152-564       |
| 35                       | 29          | 669-5557     | BALL BEARING #6202, 35MM/OD    | 2    | 999-61620-200       |
| 36                       | 30          | 668-6463     | CRANK SHAFT WASHER 15.2X22     | 2    | 070-02401-20        |
| 37                       | 32          | 669-8030     | CRANK SHAFT SHIM 0.05          | V    | 071-02007-20        |
| 37                       | 32          | 668-6470     | CRANK SHAFT SHIM 0.10          | V    | 071-02007-21        |
| 37                       | 32          | 668-6471     | CRANK SHAFT SHIM 0.15          | V    | 071-02007-22        |
| 37                       | 32          | 668-6472     | CRANK SHAFT SHIM 0.20          | V    | 071-02007-23        |
| 37                       | 32          | 668-6473     | CRANK SHAFT SHIM 0.30          | V    | 071-02007-24        |
| 38                       | 36          | 669-5066     | HEX. HOLE BOLT 6X45            | 2    | 990-51060-453       |
| 38                       | 36          | 669-5084     | HEX HOLE BUTTON SCREW 6X45     | 2    | 990-53060-453       |
| 39                       | 37          | 668-4826     | S.WASHER 6                     | 4    | 992-10060-062       |
| 40                       | 38          | 669-5499     | HEX.HOLE BOLT 6X30/S           | 2    | 994-61060-304       |
| 40                       | 38          | 668-4825     | HEX. SOCKET HD. BOLT (W/BUTTON | 2    | 990-53060-353       |
| 41                       | 46          | 668-4872     | LOCK NUT M6                    | 1    | 991-01060-013       |
| 42                       | 47          | 669-4043     | OUTER RECEIVER                 | 1    | 894-01401-20        |
| 43                       | 51          | 668-7371     | MAGNET ROTOR COMP.             | 1    | 155-20537-80        |
| 44                       | 52          | 669-5185     | SMALL WASHER 10                | 1    | 992-00100-011       |
| 45                       | 54          | 669-5138     | NUT 10                         | 1    | 991-11100-011       |
| 46                       | 55          | 668-7662     | IGNITION COIL                  | 1    | 167-20548-80        |
| 47                       | 56          | 669-5339     | SCREW 5X18/S                   | 2    | 994-14050-181       |
| 48                       | 58          | 668-4864     | SMALL WASHER 5                 | 2    | 992-00050-011       |
| 49                       | 69          | 668-8053     | GROMMET                        | 1    | 203-06590-20        |
| 50                       | 70          | 668-7967     | LEAD WIRE ASS'Y                | 1    | 191-04280-90        |

# B31-03 ENGINE-1



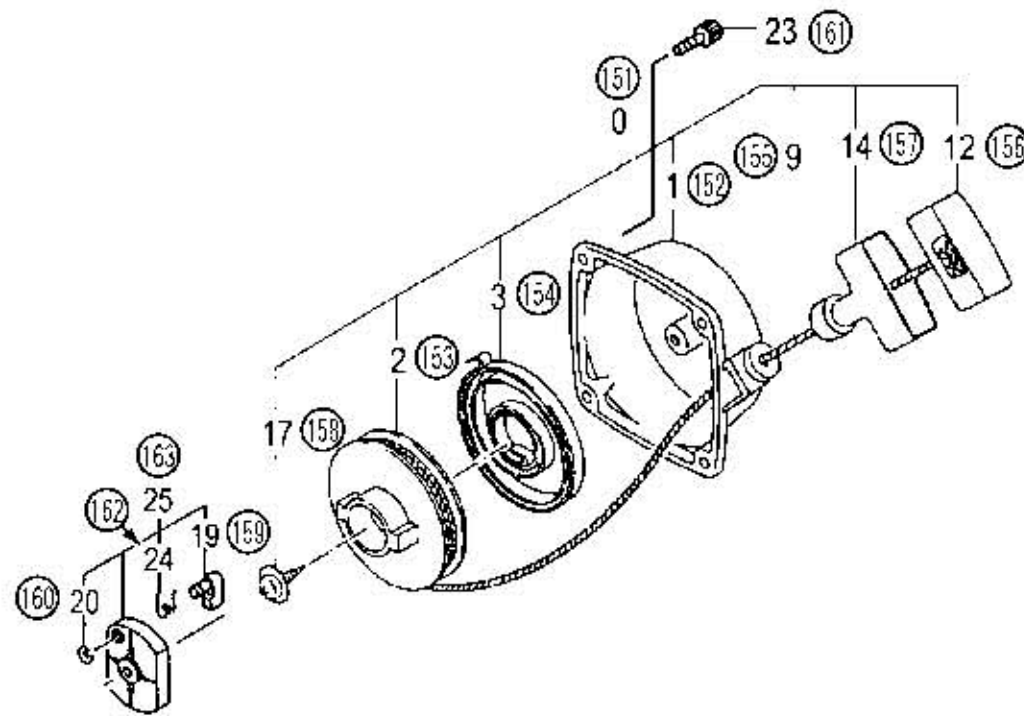
| HITACHI NUMBER         | REF. NUMBER | PARTS NUMBER | DESCRIPTION              | Q'TY | TANAKA PARTS NUMBER |
|------------------------|-------------|--------------|--------------------------|------|---------------------|
| <b>B31-03 ENGINE-1</b> |             |              |                          |      |                     |
| 71                     | 27          | 669-2225     | FUEL TANK CUSHION RUBBER | 2    | 655-04200-20        |
| 72                     | 31          | 668-9883     | INLET MANUFOLD GASKET    | 1    | 403-04220-21        |
| 73                     | 32          | 668-9950     | CARB. INSULATOR SET      | 1    | 404-0422U-90        |
| 74                     | 33          | 668-9826     | CARBURETOR GASKET        | 1    | 402-01740-20        |
| 75                     | 45          | 669-0467     | CARBURETOR SET HDA97     | 1    | 455-0422U-90        |
| 75                     | 45          | 669-0468     | CARBURETOR ASS'Y         | 1    | 455-0422W-90        |
| 76                     | 49          | 669-5423     | SCREW 5X24WS             | 2    | 994-16050-241       |
| 77                     | 51          | 669-1004     | CHOKE LEVER              | 1    | 495-04200-20        |
| 78                     | 52          | 668-5267     | FUEL PIPE 2.5X4X90       | 2    | 700-02504-09        |
| 79                     | 53          | 669-5139     | SMALL NUT 10             | 1    | 991-11100-013       |
| 80                     | 54          | 669-5235     | INNER TOOTHED WASHER 10  | 1    | 992-20100-010       |
| 81                     | 55          | 669-0080     | PRIMING PUMP COMP.       | 1    | 422-25030-80        |
| 82                     | 63          | 668-4618     | FUEL PIPE                | 1    | 223-0097A-90        |
| 83                     | 64          | 668-4619     | CLIP,6.3 DIA.            | 1    | 680-00731-20        |
| 84                     | 65          | 669-2273     | PUMP FILTER BODY ASS'Y   | 1    | 675-01630-90        |
| 85                     | 66          | 669-1526     | FUEL TANK, WHITE         | 1    | 591-0422P-21        |
| 86                     | 68          | 668-4627     | RETURN GROMMET           | 1    | 534-32710-20        |
| 87                     | 70          | 669-1715     | TANK CAP D ASS'Y,BLACK   | 1    | 595-00073-90        |
| 88                     | 76          | 669-1927     | TANK HOLDING BAND        | 1    | 603-04201-20        |
| 89                     | 77          | 669-2193     | CUSHION RUBBER           | 1    | 652-04201-20        |
| 90                     | 78          | 669-5386     | SCREW 5X16/PS            | 2    | 994-15050-162       |

# B31-04 ENGINE-2



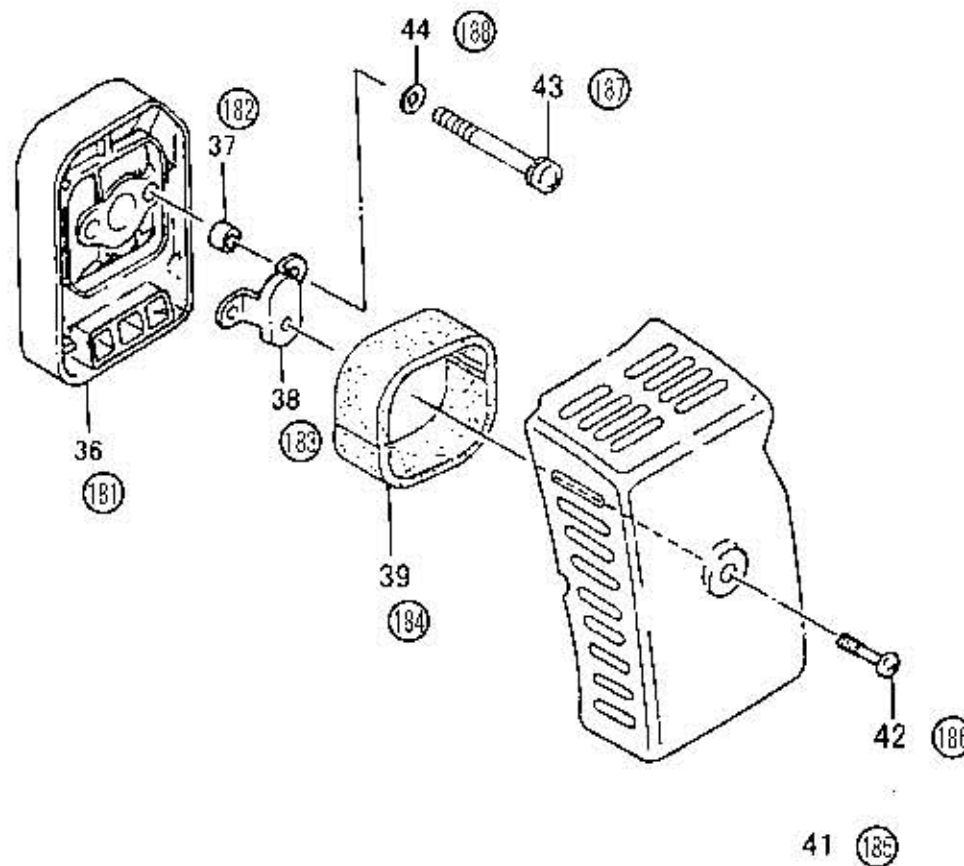
| HITACHI NUMBER         | REF. NUMBER | PARTS NUMBER | DESCRIPTION                       | Q'TY | TANAKA PARTS NUMBER |
|------------------------|-------------|--------------|-----------------------------------|------|---------------------|
| <b>B31-04 ENGINE-2</b> |             |              |                                   |      |                     |
| 111                    | 1           | 669-2777     | MUFFLER PROTECTOR                 | 1    | 738-04220-20        |
| 112                    | 2           | 669-5383     | SCREW 5X12/PS                     | 1    | 994-15050-122       |
| 113                    | 3           | 668-4667     | HEX.HOLE BOLT M5X12/S             | 1    | 994-61050-124       |
| 114                    | 4           | 668-4918     | WASHER M5                         | 1    | 992-01050-061       |
| 115                    | 5           | 669-5088     | HEX. HOLE BUTTON SCREW 6X65       | 2    | 990-53060-653       |
| 116                    | 6           | 668-4639     | WASHER 6                          | 2    | 992-01060-011       |
| 117                    | 7           | 669-2463     | MUFFLER SET                       | 1    | 704-0422S-90        |
| 118                    | 9           | 669-2883     | MUFFLER SPECIAL GASKET            | 1    | 751-04200-20        |
| 119                    | 10          | 669-2649     | TAIL PIPE SET                     | 1    | 721-04283-90        |
| 120                    | 11          | 668-5109     | MACHINE SCREW (W/SP. WASHER) M4X8 | 2    | 994-34040-081       |
| 121                    | 14          | 669-2741     | MUFFLER GASKET                    | 1    | 737-04230-20        |
| 122                    | 16          | 668-7242     | HEAT SHIELD                       | 1    | 133-04230-20        |
| 123                    | 23          | 669-5389     | SCREW 5X18/PS                     | 2    | 994-15050-182       |
| 124                    | 25          | 669-2205     | TANK BRACKET                      | 1    | 653-04200-20        |
| 125                    | 26          | 669-2227     | FUEL TANK CUSHION RUBBER          | 2    | 655-06100-20        |
| 126                    | 81          | 668-9645     | CLUTCH WASHER B                   | 2    | 359-10112-20        |
| 127                    | 82          | 668-8615     | CLUTCH ARM                        | 2    | 290-04270-80        |
| 128                    | 83          | 668-9429     | CLUTCH SPRING                     | 1    | 342-04270-20        |
| 129                    | 84          | 669-5203     | WAVE WASHER 10                    | 2    | 992-04100-030       |
| 130                    | 85          | 668-9628     | CLUTCH STEP BOLT                  | 2    | 357-0136U-20        |

# B31-05 RECOIL STARTER



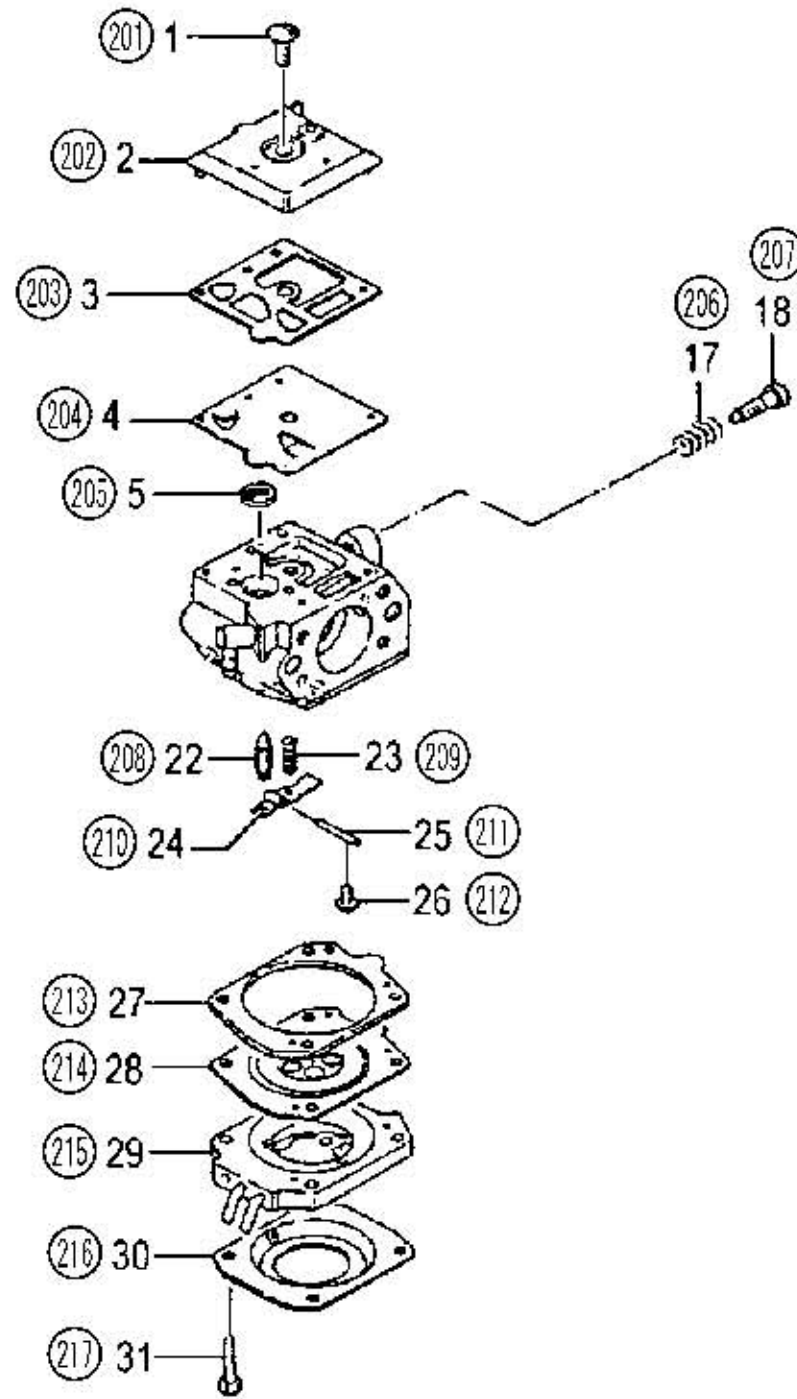
| HITACHI NUMBER               | REF. NUMBER | PARTS NUMBER | DESCRIPTION               | Q'TY | TANAKA PARTS NUMBER |
|------------------------------|-------------|--------------|---------------------------|------|---------------------|
| <b>B31-05 RECOIL STARTER</b> |             |              |                           |      |                     |
| 151                          | 0           | 669-2970     | RECOIL STARTER BODY ASS'Y | 1    | 762-04220-90        |
| 152                          | 1           | 669-3025     | RECOIL STARTER BODY COMP. | 1    | 772-04220-80        |
| 153                          | 2           | 669-3007     | STARTER ROPE REEL         | 1    | 769-04220-20        |
| 154                          | 3           | 669-3114     | RECOIL SPRING             | 1    | 779-04220-20        |
| 155                          | 9           | 669-3165     | STARTER ROPE              | 1    | 783-04270-20        |
| 156                          | 12          | 669-3607     | STARTER HANDLE CAP        | 1    | 835-04220-20        |
| 157                          | 14          | 669-3232     | STARTER HANDLE            | 1    | 785-04220-20        |
| 158                          | 17          | 669-3634     | SET SCREW                 | 1    | 839-04220-20        |
| 159                          | 19          | 669-3302     | STARTER PAWL              | 1    | 788-0162V-20        |
| 160                          | 20          | 668-4683     | STOP RING E-5             | 1    | 993-55050-000       |
| 161                          | 23          | 669-5395     | SCREW 5X25PS              | 2    | 994-15050-252       |
| 162                          | 24          | 669-3345     | STARTER PAWL SPRING       | 1    | 790-0162V-20        |
| 163                          | 25          | 669-3395     | STARTER PULLEY            | 1    | 798-04220-90        |

# B31-06 AIR CLENER



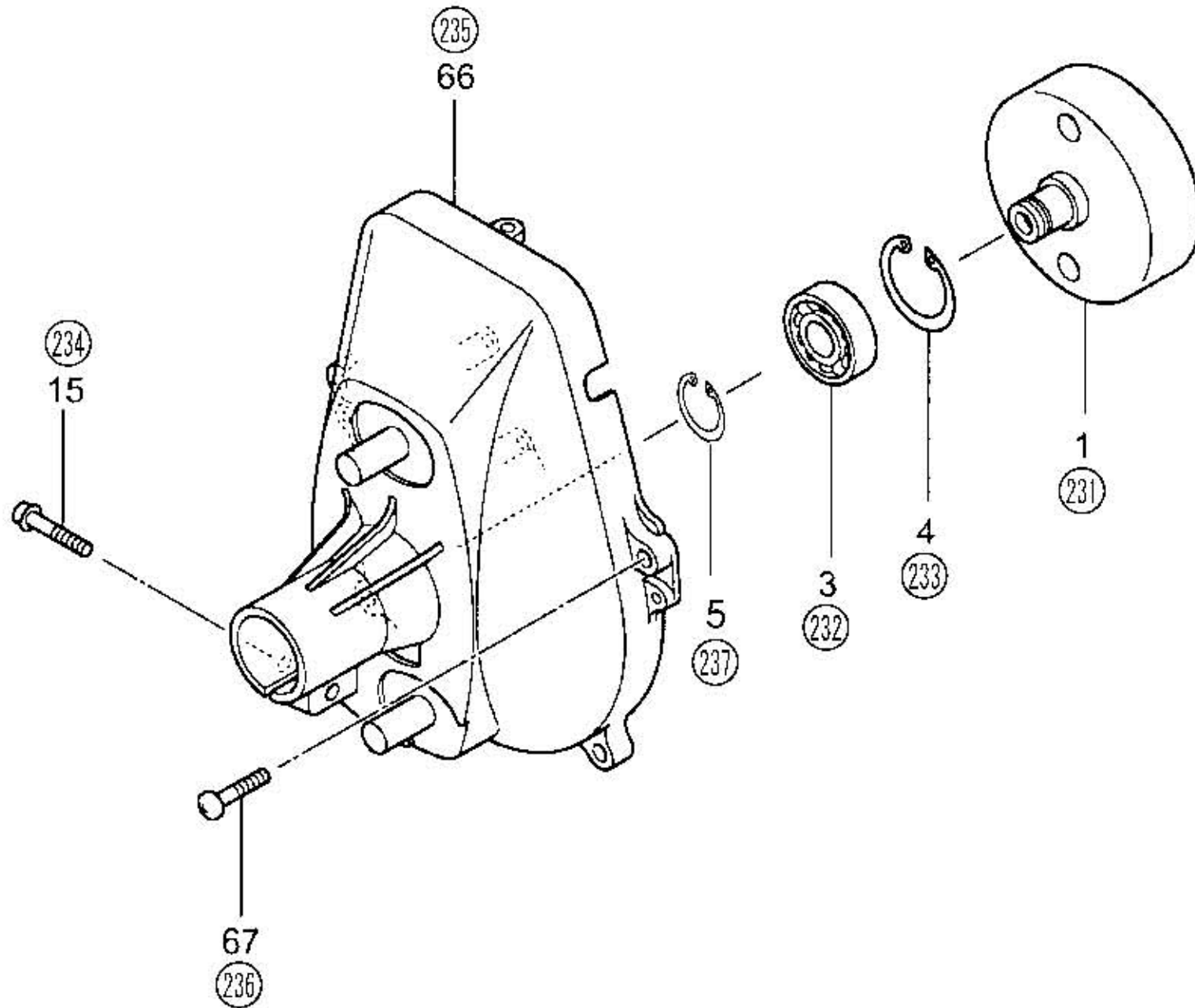
| HITACHI NUMBER            | REF. NUMBER | PARTS NUMBER | DESCRIPTION                 | Q'TY | TANAKA PARTS NUMBER |
|---------------------------|-------------|--------------|-----------------------------|------|---------------------|
| <b>B31-06 AIR CLEANER</b> |             |              |                             |      |                     |
| 181                       | 36          | 669-0106     | CLEANER BODY                | 1    | 423-04270-20        |
| 182                       | 37          | 669-2244     | COLLAR 5.8                  | 2    | 659-00801-20        |
| 183                       | 38          | 669-0848     | BLOW OVER CHECK BOARD COMP. | 1    | 476-0422U-80        |
| 184                       | 39          | 669-0357     | CLEANER ELEMENT             | 1    | 446-04270-20        |
| 185                       | 41          | 669-0149     | CLEANER COVER ASS'Y         | 1    | 424-04270-90        |
| 186                       | 42          | 669-0383     | COVER FIXING BOLT           | 1    | 450-04072-20        |
| 187                       | 43          | 669-4916     | SCREW 5X60                  | 2    | 990-11050-601       |
| 188                       | 44          | 668-4662     | S.WASHER 5                  | 2    | 992-10050-012       |

# B31-07 CARBURETOR



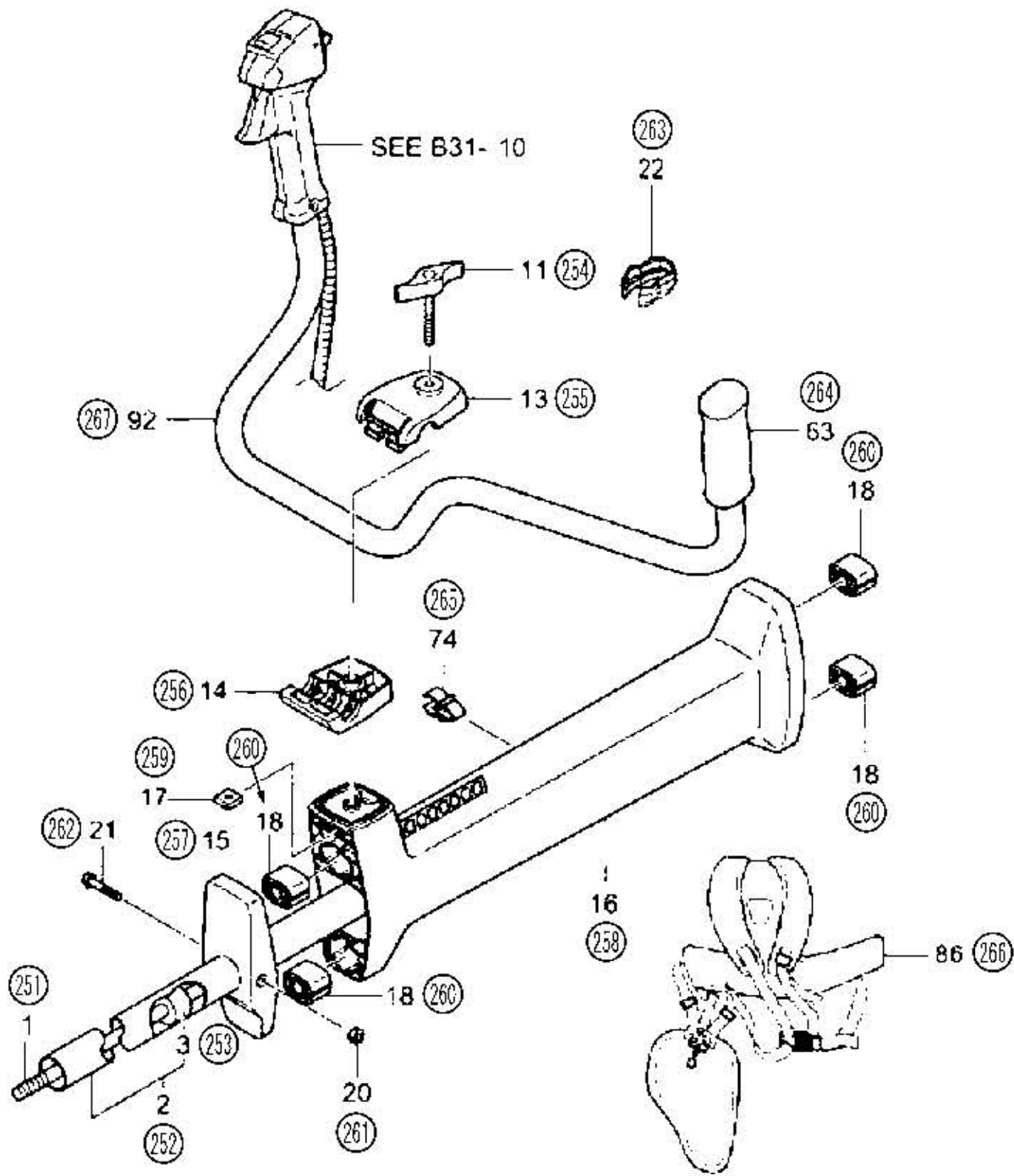
| HITACHI NUMBER           | REF. NUMBER | PARTS NUMBER | DESCRIPTION              | Q'TY | TANAKA PARTS NUMBER |
|--------------------------|-------------|--------------|--------------------------|------|---------------------|
| <b>B31-07 CARBURETOR</b> |             |              |                          |      |                     |
| 201                      | 1           | 668-5210     | SCREW                    | 1    | 514-25001-20        |
| 202                      | 2           | 669-1420     | PUMP BODY                | 1    | 575-25012-20        |
| 203                      | 3           | 669-1455     | PUMP GASKET              | 1    | 577-25012-20        |
| 204                      | 4           | 669-1446     | PUMP DIAPHRAGM           | 1    | 576-25012-20        |
| 205                      | 5           | 668-4700     | INLET SCREEN             | 1    | 578-25007-20        |
| 206                      | 17          | 669-0766     | IDLE ADJUST SPRING       | 1    | 463-25012-20        |
| 207                      | 18          | 669-0736     | IDLE ADJUST SCREW        | 1    | 462-25006-20        |
| 208                      | 22          | 668-5215     | NEEDLE VALVE             | 1    | 603-25012-20        |
| 209                      | 23          | 669-0874     | VALVE SPRING             | 1    | 477-25307-20        |
| 210                      | 24          | 669-0819     | CONTROL LEVER            | 1    | 473-25012-20        |
| 211                      | 25          | 668-5219     | HINGE PIN                | 1    | 605-25001-20        |
| 212                      | 26          | 668-5218     | HINGE PIN SET SCREW      | 1    | 546-25001-20        |
| 213                      | 27          | 669-0840     | DIAPHRAGM GASKET         | 1    | 475-25032-20        |
| 214                      | 28          | 669-0829     | METERING DIAPHRAGM COMP. | 1    | 474-25032-80        |
| 215                      | 29          | 669-0434     | AIR PURGE COMP.          | 1    | 454-25032-80        |
| 216                      | 30          | 669-0860     | DIAPHRAGM COVER          | 1    | 476-25032-20        |
| 217                      | 31          | 669-1310     | SET SCREW                | 4    | 548-25016-20        |

# B31-08 FAN CASE



| HITACHI NUMBER | REF. NUMBER | PARTS NUMBER           | DESCRIPTION                   | Q'TY | TANAKA PARTS NUMBER |
|----------------|-------------|------------------------|-------------------------------|------|---------------------|
|                |             | <b>B31-08 FAN CASE</b> |                               |      |                     |
| 231            | 1           | 668-8585               | CLUTCH SHAFT COMP.            | 1    | 289-04308-80        |
| 232            | 3           | 669-5558               | BALL BEARING #6202ZZ, 35MM/OD | 1    | 999-61620-201       |
| 233            | 4           | 669-5296               | STOP RING C-35, INNER         | 1    | 993-51035-002       |
| 234            | 15          | 669-5093               | HEX.HOLE BOLT 6X25            | 1    | 990-54060-253       |
| 235            | 66          | 668-6975               | FAN CASE OR                   | 1    | 112-04280-22        |
| 236            | 67          | 669-5361               | SCREW 6X20/S                  | 4    | 994-14060-202       |
| 237            | 5           | 669-5285               | STOP RING C-15, OUTER         | 1    | 993-50015-002       |

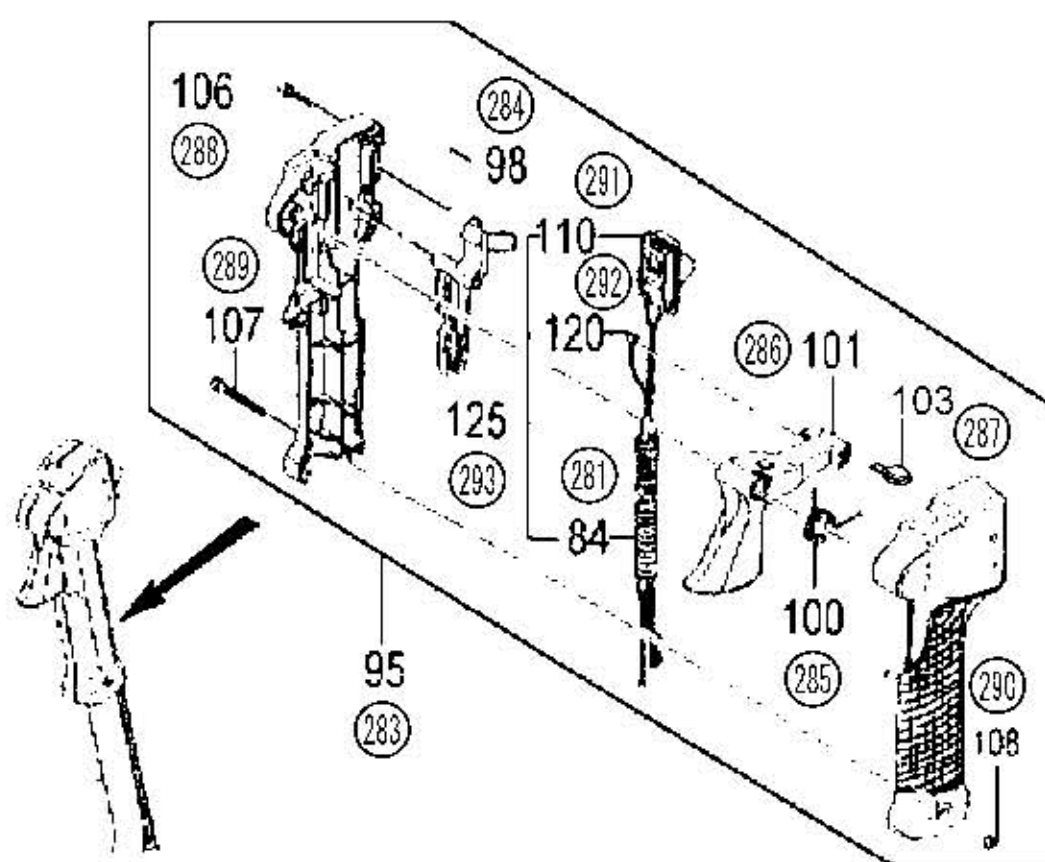
# B31-09 OPERATION PIPE



| HITACHI NUMBER               | REF. NUMBER | PARTS NUMBER | DESCRIPTION          | Q'TY | TANAKA PARTS NUMBER |
|------------------------------|-------------|--------------|----------------------|------|---------------------|
| <b>B31-09 OPERATION PIPE</b> |             |              |                      |      |                     |
| 251                          | 1           | 668-9476     | DRIVE SHAFT, 1552L   | 1    | 343-38101-20        |
| 252                          | 2           | 668-9403     | DRIVE SHAFT PIPE     | 1    | 341-37861-80        |
| 253                          | 3           | 668-9515     | BUSHING ASS'Y        | 5    | 347-37100-90        |
| 254                          | 11          | 669-1207     | KNOB BOLT            | 1    | 512-37861-80        |
| 255                          | 13          | 669-1143     | HANDLE BRACKET A     | 1    | 506-37861-20        |
| 256                          | 14          | 669-1159     | HANDLE BRACKET B     | 1    | 507-37861-20        |
| 257                          | 15          | 669-1237     | SUPPORT HOLDER       | 1    | 522-37861-20        |
| 258                          | 16          | 669-1232     | HANDLE SUPPORT COMP. | 1    | 521-37861-80        |
| 259                          | 17          | 668-9102     | SPECIAL NUT M6X1.0   | 1    | 315-37861-20        |
| 260                          | 18          | 668-9165     | ANTI-VIBE RUBBER     | 4    | 326-37180-21        |
| 261                          | 20          | 669-5175     | NUT 6 UPS-P          | 1    | 991-87060-001       |
| 262                          | 21          | 669-5094     | HEX. HOLE BOLT 6X30  | 1    | 990-54060-303       |
| 263                          | 22          | 668-8016     | CORD CLAMP           | 1    | 198-3332A-20        |
| 264                          | 63          | 668-7627     | HANDLE GRIP          | 1    | 165-37861-20        |
| 265                          | 74          | 668-8025     | CORD CLAMP           | 2    | 198-37861-21        |
| 266                          | 86          | 669-6183     | SHOULDER BELT BLK D5 | 1    | 746-37180-92        |
| 267                          | 92          | 669-1079     | HANDLE               | 1    | 501-37861-21        |



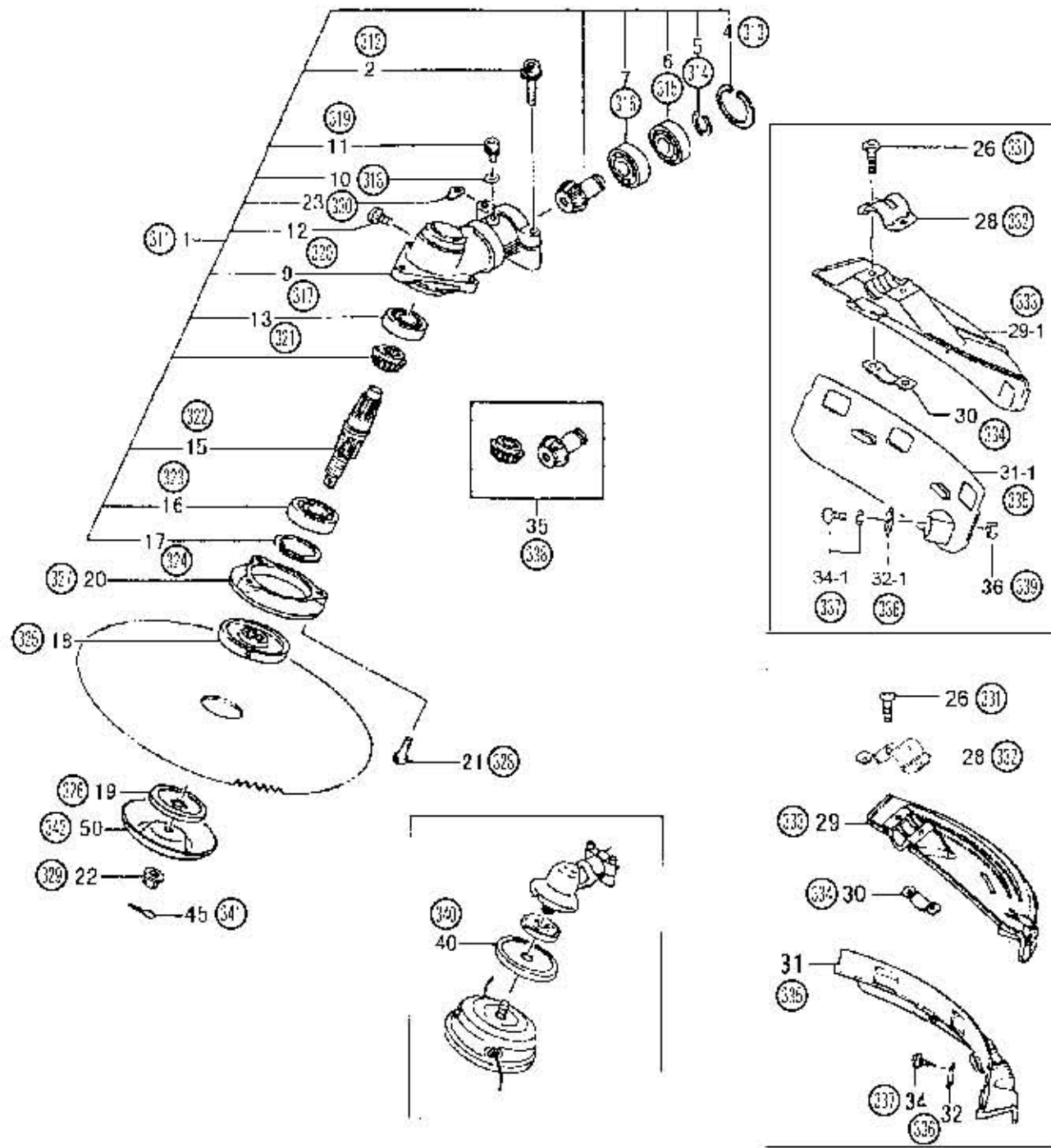
# B31-10 THROTTLE LEVER



| HITACHI NUMBER               | REF. NUMBER | PARTS NUMBER | DESCRIPTION          | Q'TY | TANAKA PARTS NUMBER |
|------------------------------|-------------|--------------|----------------------|------|---------------------|
| <b>B31-10 THROTTLE LEVER</b> |             |              |                      |      |                     |
| 281                          | 84          | 668-7549     | PROTECTION TUBU 990L | 1    | 164-07099-00        |
| 283                          | 95          | 669-3730     | THROTTLE LEVER 20    | 1    | 870-37180-91        |
| 284                          | 98          | 668-4721     | SAFETY LEVER         | 1    | 253-38400-20        |
| 285                          | 100         | 668-4722     | RETURN SPRING        | 1    | 832-38400-20        |
| 286                          | 101         | 668-4723     | THROTTLE LEVER       | 1    | 880-38401-20        |
| 287                          | 103         | 668-4724     | BLIND PLUG           | 1    | 322-38400-20        |
| 288                          | 106         | 668-4725     | SCREW M4X20 (BLACK)  | 2    | 993-46040-202       |
| 289                          | 107         | 668-4726     | SCREW 5X30 (BLACK)   | 1    | 994-31050-303       |
| 290                          | 108         | 668-4727     | CONTAL NUT 5         | 1    | 991-01050-043       |
| 291                          | 110         | 668-7440     | STOP BOTTOM COMP.    | 1    | 156-37180-80        |
| 291                          | 110         | 668-7441     | STOP SWITCH COMP.    | 1    | 156-37180-81        |
| 292                          | 120         | 669-4009     | THROTTLE WIRE        | 1    | 887-37180-80        |
| 293                          | 125         | 669-3955     | THROTTLE WIRE COMP.  | 1    | 885-37180-80        |
| 293                          | 125         | 669-3956     | THROTTLE WIRE COMP.  | 1    | 885-37180-81        |

形 名  
**TBC600-9**

# B31-11 GEAR CASE

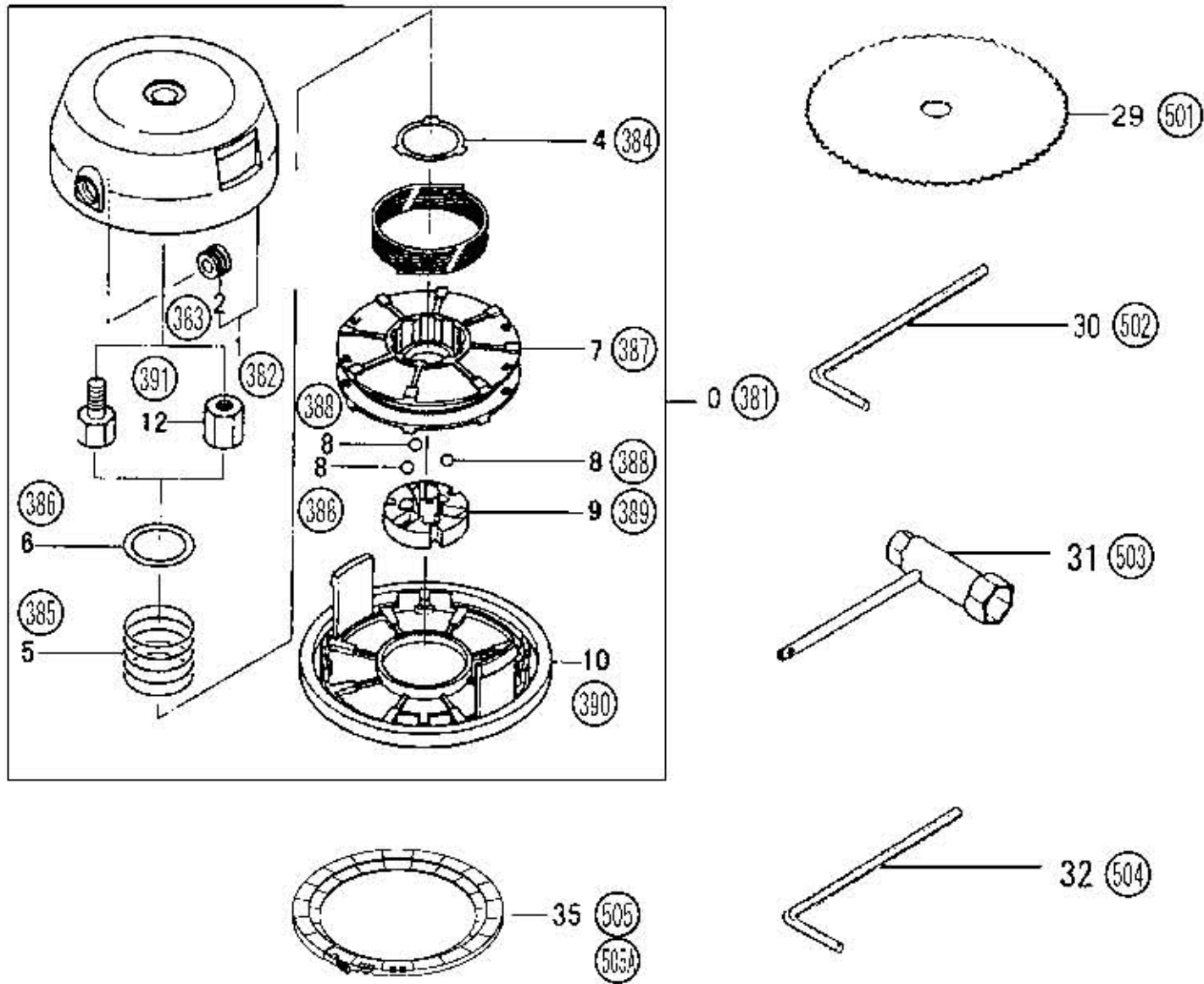


| HITACHI NUMBER          | REF. NUMBER | PARTS NUMBER | DESCRIPTION                  | Q'TY | TANAKA PARTS NUMBER |
|-------------------------|-------------|--------------|------------------------------|------|---------------------|
| <b>B31-11 GEAR CASE</b> |             |              |                              |      |                     |
| 311                     | 1           | 668-8740     | GEAR CASE ASS'Y 30DIY        | 1    | 300-37182-90        |
| 312                     | 2           | 668-4709     | HEX.HOLE BOLT M5X25/S        | 2    | 994-61050-254       |
| 313                     | 4           | 668-4741     | STOP RING C-28,INNER         | 1    | 993-51028-002       |
| 314                     | 5           | 668-4664     | STOP RING C-12 OUTER         | 1    | 993-50012-002       |
| 315                     | 6           | 669-5532     | BALL BEARING #6001Z, 28MM/OD | 1    | 999-61600-102       |
| 316                     | 7           | 669-5535     | BALL BEARING 6001 C3         | 1    | 999-61600-115       |
| 317                     | 9           | 668-8703     | GEARCASE, SILVER             | 1    | 300-33392-21        |
| 318                     | 10          | 668-4834     | SPRING WASHER 5              | 1    | 992-10050-062       |
| 319                     | 11          | 668-4667     | HEX.HOLE BOLT M5X12/S        | 1    | 994-61050-124       |
| 319                     | 11          | 668-4829     | HEX. SOCKET HD. BOLT M5X12   | 1    | 990-51050-123       |
| 320                     | 12          | 669-5437     | PLUS HEAD BOLT 8X10          | 1    | 994-23080-100       |
| 321                     | 13          | 669-5524     | BALL BEARING #6000, 26MM/OD  | 1    | 999-61600-000       |
| 322                     | 15          | 668-8933     | GEAR SHAFT 6X11X14           | 1    | 304-37182-20        |
| 323                     | 16          | 669-5563     | BALL BEARING #6203D, 40MM/OD | 1    | 999-61620-303       |
| 324                     | 17          | 669-5298     | STOP RING C-40, INNER        | 1    | 993-51040-002       |
| 325                     | 18          | 668-9022     | CUTTER HOLDER                | 1    | 310-37100-22        |
| 326                     | 19          | 668-9052     | CUTTER HOLDER CAP,6X11X14    | 1    | 311-37861-20        |
| 327                     | 20          | 668-8982     | PROTECTION COVER A COMP.     | 1    | 307-37100-81        |
| 328                     | 21          | 669-5418     | SCREW 5X16/WS                | 3    | 994-16050-162       |
| 329                     | 22          | 668-9072     | CUTTER FIXING NUT,L/H        | 1    | 313-38100-20        |
| 330                     | 23          | 668-9157     | GEAR CASE WASHER             | 2    | 324-37110-20        |
| 331                     | 26          | 668-4714     | HEX.HOLE BUTTON SCREW 6X25S  | 2    | 994-81060-254       |
| 332                     | 28          | 669-0312     | COVER BRACKET 30             | 1    | 442-37862-20        |
| 333                     | 29-1        | 669-0230     | GUARD 30 CE                  | 1    | 441-37130-21        |
| 333                     | 29          | 669-0264     | GUARD 30 CE                  | 1    | 441-37862-20        |
| 334                     | 30          | 668-4748     | BLAD COVER HOLDER            | 1    | 445-37380-20        |
| 335                     | 31-1        | 669-0372     | COVER GUARD                  | 1    | 447-37380-20        |
| 335                     | 31          | 669-0376     | BLADE GUARD                  | 1    | 447-38331-20        |
| 336                     | 32-1        | 669-3386     | KNIFE                        | 1    | 797-37380-21        |
| 336                     | 32          | 668-4750     | KNIFE                        | 1    | 797-37714-20        |
| 337                     | 34-1        | 669-5334     | SCREW 5X12/S                 | 1    | 994-14050-121       |
| 337                     | 34          | 668-4751     | TAPPING SCREW 4X14           | 1    | 993-48040-142       |
| 338                     | 35          | 668-8866     | GEAR-PINION SET, SPARE       | 1    | 301-37100-00        |
| 339                     | 36          | 668-4965     | NUT M5                       | 1    | 991-01050-011       |
| 340                     | 40          | 668-8986     | WINDING PROTECTOR COVER      | 1    | 307-38100-20        |
| 341                     | 45          | 668-9168     | SPLIT PIN SET(10 PCS/PACK)   | 1    | 327-37180-90        |
| 342                     | 50          | 668-8994     | PROTECTION COVER B           | 1    | 308-37861-20        |

形 名

TBC600-10

# B31-12 NYLON HEAD/TOOLS



| HITACHI NUMBER                 | REF. NUMBER | PARTS NUMBER | DESCRIPTION                    | Q'TY | TANAKA PARTS NUMBER |
|--------------------------------|-------------|--------------|--------------------------------|------|---------------------|
| <b>B31-12 NYLON HEAD/TOOLS</b> |             |              |                                |      |                     |
| 381                            | 0           | 669-3217     | NYLON HEAD TH97LM              | 1    | 783-33842-91        |
| 382                            | 1           | 669-3271     | CUTTING BODY ASS'Y             | 1    | 786-33840-90        |
| 383                            | 2           | 669-3328     | EYELET                         | 2    | 788-33670-21        |
| 384                            | 4           | 669-3247     | ADJUSTMENT BASE                | 1    | 785-33840-20        |
| 385                            | 5           | 669-3377     | SPRING (SILVER)                | 1    | 793-33910-20        |
| 386                            | 6           | 669-3362     | ADJUSTMENT WASHER              | 1    | 792-33004-20        |
| 387                            | 7           | 669-3292     | CORD REEL BK                   | 1    | 787-33840-21        |
| 388                            | 8           | 669-2271     | STEEL BALL                     | 3    | 673-35600-20        |
| 389                            | 9           | 669-3358     | REEL SLIDER                    | 1    | 790-33810-20        |
| 390                            | 10          | 669-3338     | CUTTING BODY CAP               | 1    | 789-33840-20        |
| 391                            | 12          | 668-9098     | MOUNTING NUT, L-M10X1.25       | 1    | 315-33970-20        |
| 501                            | 29          | 669-3492     | BLADE 80 TEETH 255             | 1    | 809-37383-20        |
| 502                            | 30          | 668-4813     | HEX. BAR WRENCH 4MM            | 1    | 813-20000-20        |
| 503                            | 31          | 668-4764     | BOX WRENCH (HEX. SOCKET 17/19) | 1    | 826-20000-80        |
| 504                            | 32          | 669-3529     | HEX. WRENCH 5                  | 1    | 814-20000-20        |
| 505                            | 35          | 668-4768     | CUTTER COVER                   | 2    | 615-37224-20        |

形 名

TBC600-11