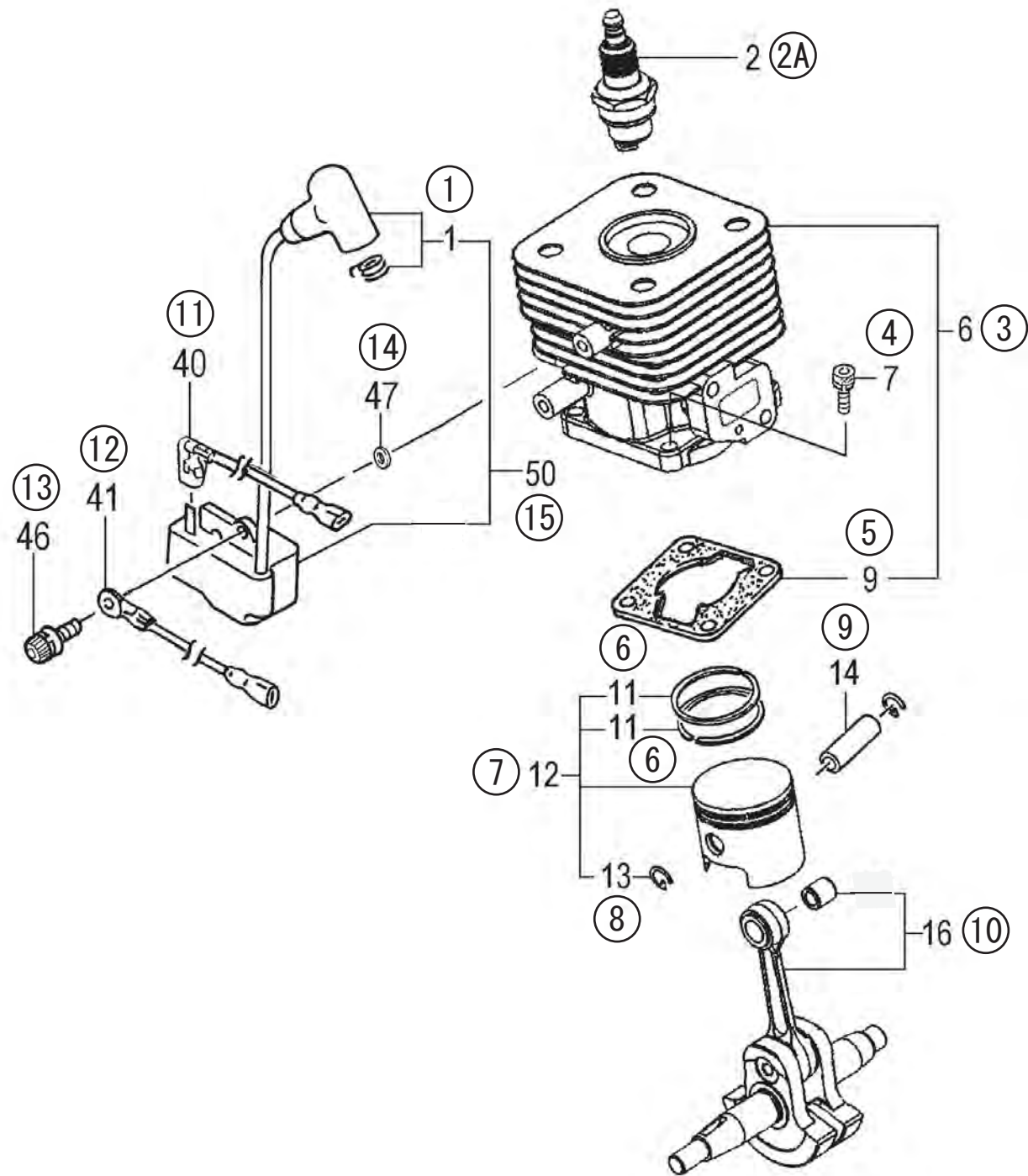
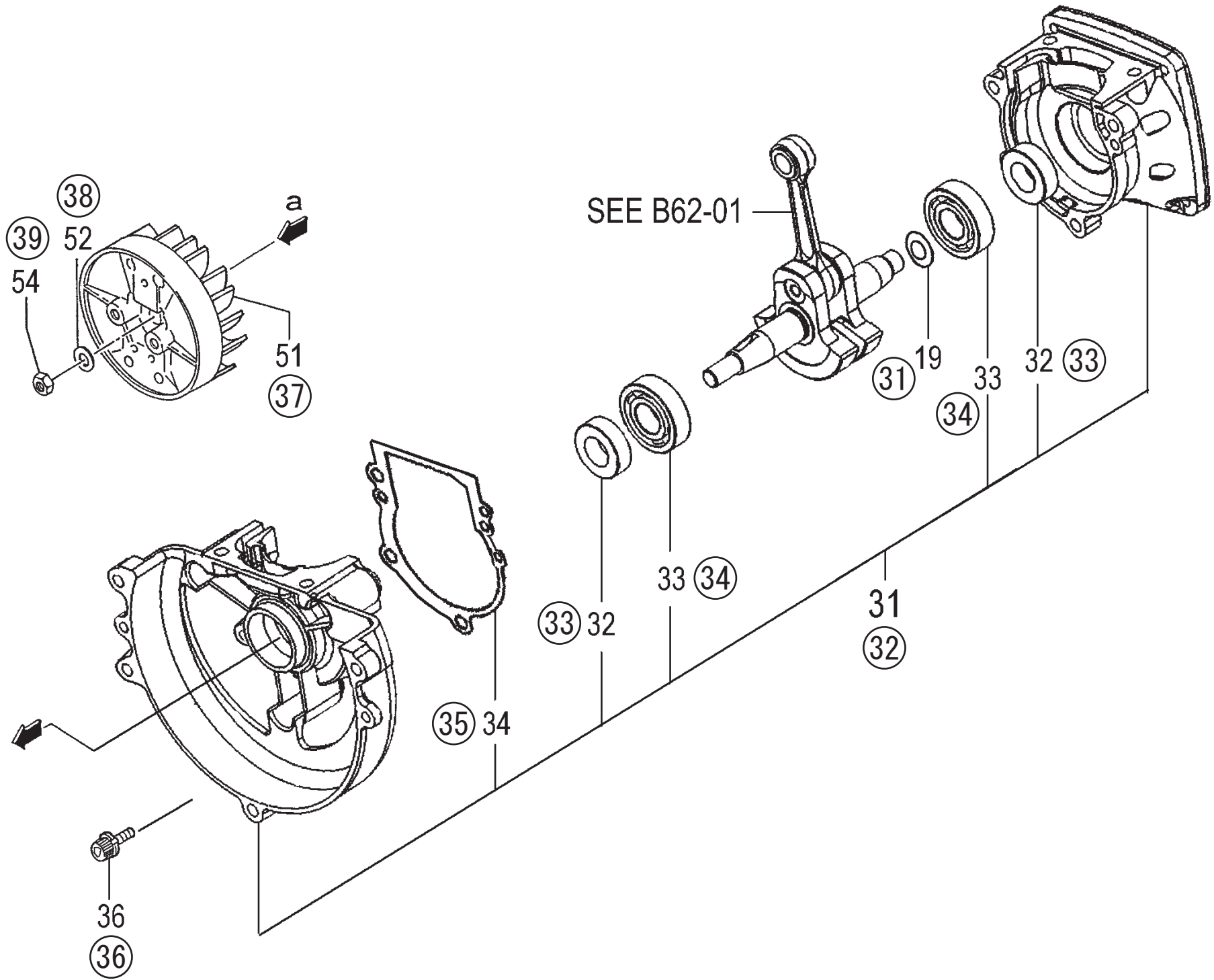


B62-01 CYLINDER/PISTON/CRANK SHAFT



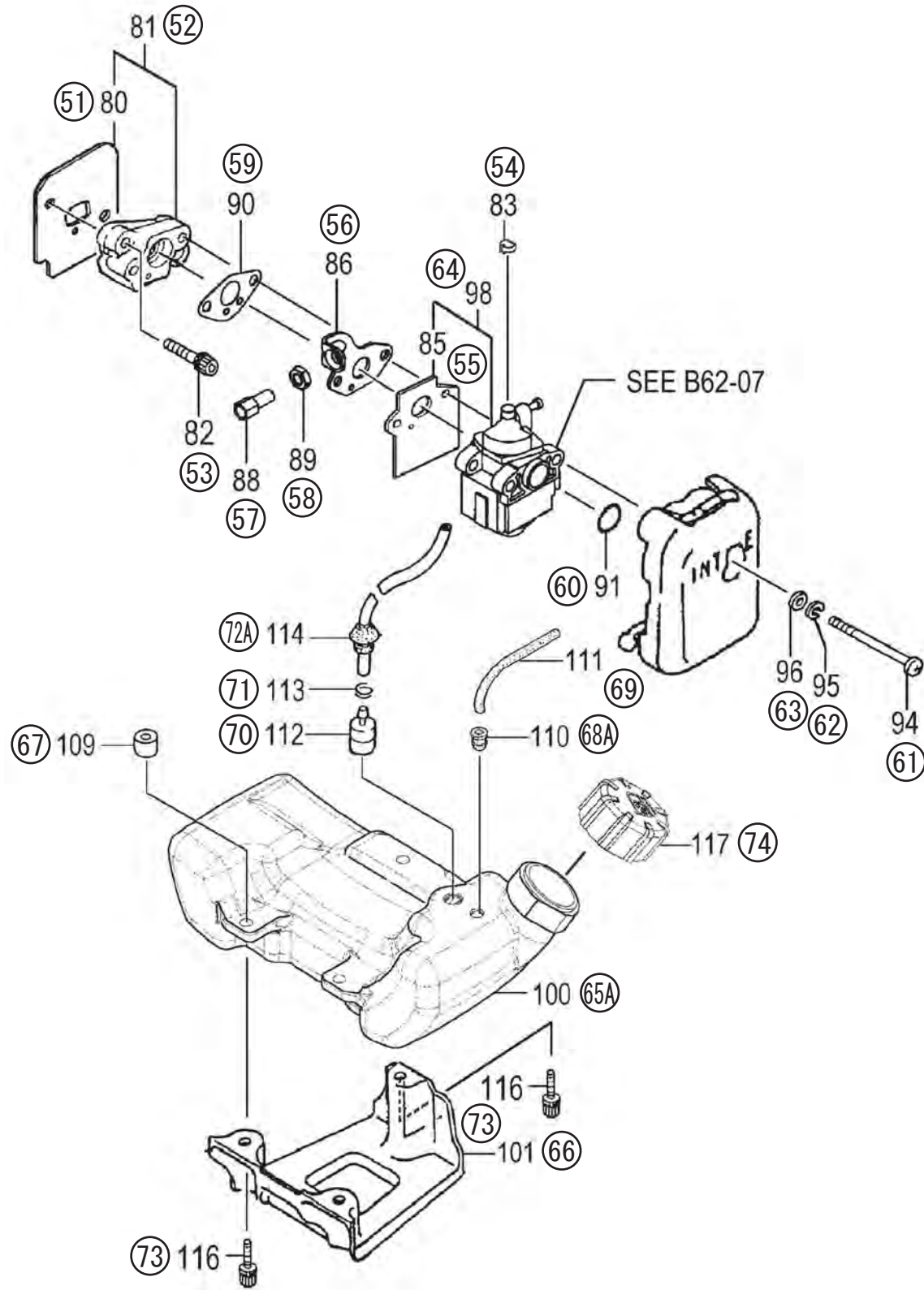
HITACHI NUMBER	REF. NUMBER	PARTS NUMBER	DESCRIPTION	Q'TY	TANAKA PARTS NUMBER
B62-01 CYLINDER/PISTON/CRANK SHAFT					
1	1	668-4894	PLUG CAP ASS'Y	1	157-01680-90
2	2	668-5052	SPARK PLUG CJ6	1	018-02233-20
3	6	668-4897	CYLINDER SET	1	001-07600-90
4	7	668-4586	HEX.HOLE BOLT M5X18/S	4	994-61050-184
5	9	668-4896	CYLINDER GASKET	1	017-07350-20
6	11	668-4588	PISTON RING	2	041-01601-20
7	12	668-4898	PISTON SET	1	030-07500-90
8	13	668-4590	PISTON PIN CIRCLIP	2	039-00601-20
9	14	668-4591	PISTON PIN	1	037-07045-20
10	16	668-6219	CRANK SHAFT COMP.	1	046-07350-82
11	40	668-7836	STOP CORD B 190M	1	178-01680-80
12	41	668-8443	EARTH CORD B 165M	1	274-01680-80
13	46	668-4599	HEX.HOLE BOLT M4X18/WS	2	994-64040-184
14	47	668-4600	WASHER	2	182-0186A-20
15	50	668-7684	IGNITION COIL ASSY	1	167-21012-90

B62-02 CRANK CASE



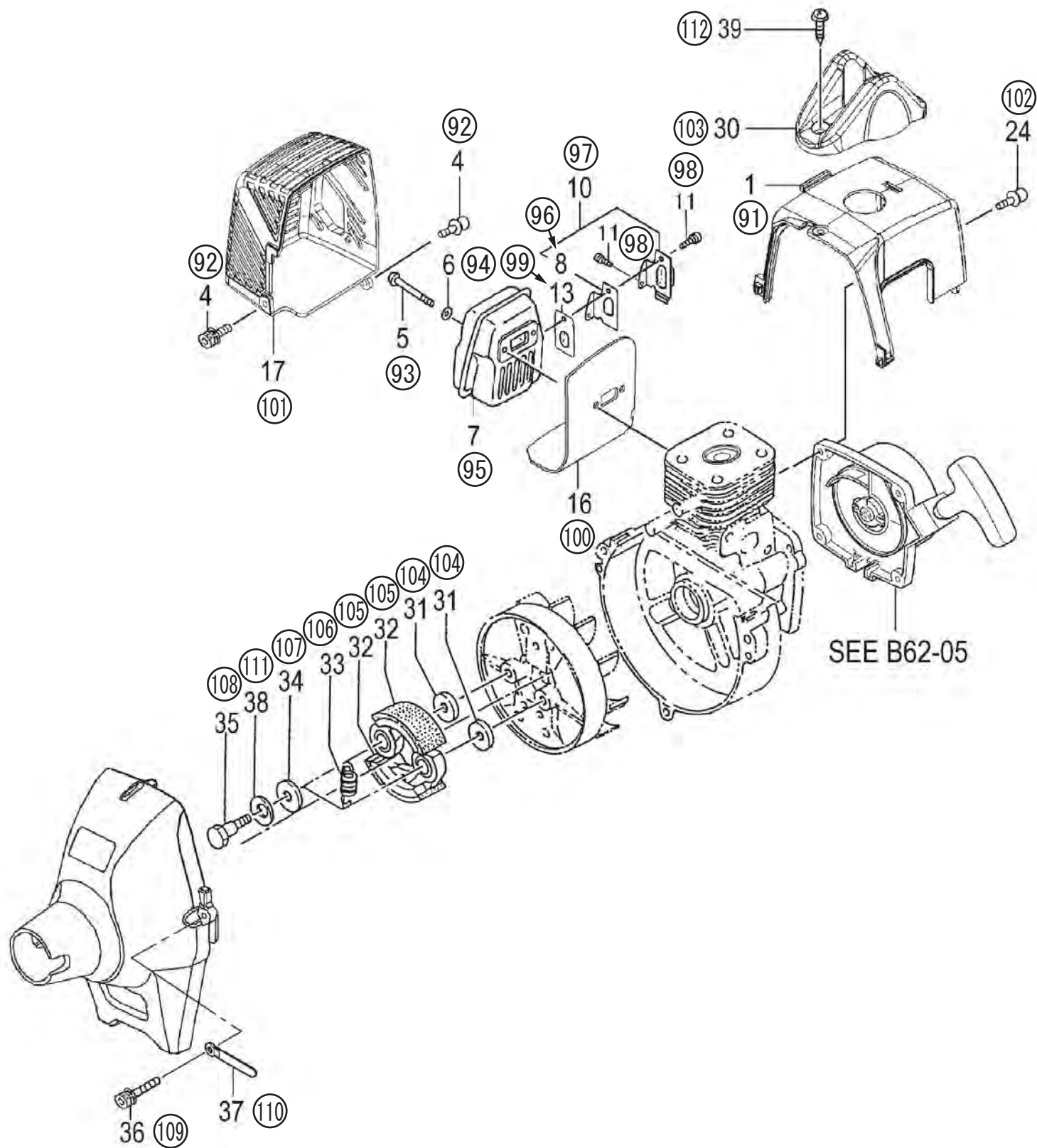
HITACHI NUMBER	REF. NUMBER	PARTS NUMBER	DESCRIPTION	Q'TY	TANAKA PARTS NUMBER
B62-02 CRANK CASE					
31	19	668-4604	GEAR SHAFT SHIM 0.20	V	330-00200-23
31	19	668-4605	GEAR SHAFT SHIM 0.30	V	330-00200-24
32	31	668-4905	CRANK CASE ASS'Y	1	072-03045-94
33	32	668-4607	OIL SEAL TB 12227	2	999-66122-200
34	33	669-5535	BALL BEARING 6001 C3	2	999-61600-115
35	34	668-4904	CRANK CASE GASKET	1	090-07350-22
36	36	668-4903	HEX.HOLE BOLT M5X16/S	4	994-61050-164
37	51	668-7384	MAGNETO ROTOR COMP.	1	155-21012-81
38	52	668-4611	WASHER M8	1	992-01080-011
39	54	668-4612	HEX.NUT M8	1	991-01080-011

B62-03 ENGINE-1



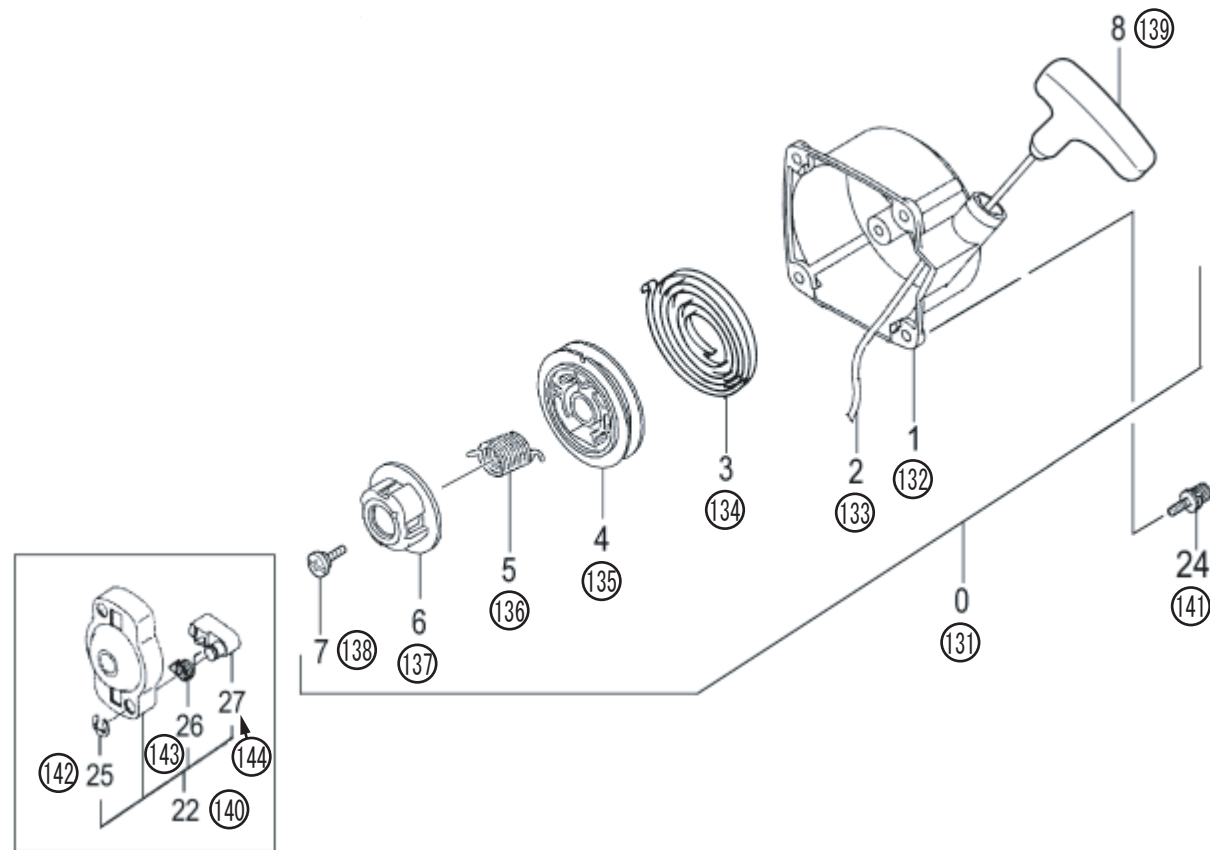
HITACHI NUMBER	REF. NUMBER	PARTS NUMBER	DESCRIPTION	Q'TY	TANAKA PARTS NUMBER
B62-03 ENGINE-1					
51	80	668-9895	INLET MANIFOLD GASKET	1	403-07020-21
52	81	668-9972	INSULATOR SET	1	404-07020-91
53	82	668-4617	HEX. HOLE BOLT 5X25/WS	2	994-64050-255
54	83	668-4628	SWIVEL CAP	1	560-07120-20
55	85	668-4616	CARBURETOR GASKET	1	402-0656A-20
56	86	668-4629	THROTTLE WIRE FIXING PLATE	1	878-06620-20
57	88	668-4871	CABLE ADJUSTER	1	614-25137-20
58	89	668-4872	LOCK NUT M6	1	991-01060-013
59	90	668-4615	CARBURETOR GASKET	1	402-0602K-21
60	91	669-5670	O-RING P-15	1	999-67015-000
61	94	668-4660	SCREW M5X60	2	990-11050-602
62	95	668-4662	S.WASHER 5	2	992-10050-012
63	96	668-4661	WASHER 5	2	992-01050-011
64	98	669-0466	CARBURETOR SET WYL222	1	455-03070-90
65	100	669-1605	TANK(EVAPO)	1	591-0735F-20
66	101	669-4787	STAND	1	940-07350-20
67	109	668-4623	COLLAR C	3	659-04300-20
68	110	668-4627	RETURN GROMMET	1	534-32710-20
69	111	668-4626	FUEL PIPE 3X5X65	1	700-03005-06
70	112	668-4620	PUMP FILTER BODY COMP.	1	675-04042-80
71	113	668-4619	CLIP,6.3 DIA.	1	680-00731-20
72	114	668-4618	FUEL PIPE ASS'Y	1	223-0097A-90
73	116	668-4634	HEX.HOLE BOLT 5X20/PS	3	994-63050-204
74	117	669-1748	TANK CAP D ASS'Y	1	595-03002-90

B62-04 ENGINE-2



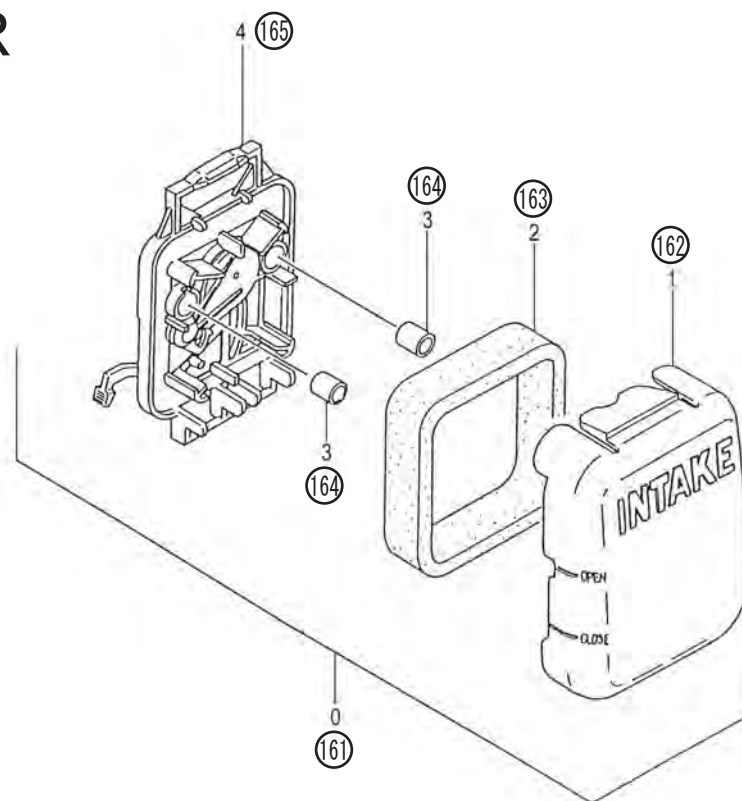
HITACHI NUMBER	REF. NUMBER	PARTS NUMBER	DESCRIPTION	Q'TY	TANAKA PARTS NUMBER
B62-04 ENGINE-2					
91	1	668-5693	CYLINDER COVER (BLK)	1	016-07500-20
92	4	669-5504	HEX.HOLE BOLT 5X16/PS	2	994-63050-164
93	5	669-5067	HEX.HOLE BOLT 6X65	2	990-51060-653
94	6	668-4639	WASHER 6	2	992-01060-011
95	7	669-2576	MUFFLER COMP.	1	706-07500-80
96	8	669-2888	TAIL PIPE GASKET	1	751-07250-20
97	10	669-2715	TAIL PIPE SET	1	734-07255-90
98	11	668-4651	SCREW M4X8/WS	2	994-36040-081
99	13	669-2701	SPARK ARRESTER	1	732-07250-20
100	16	668-7265	HEAT SHIELD	1	133-07500-20
101	17	669-2818	MUFFLER PROTECTOR BLK	1	738-07500-20
102	24	669-5508	HEX. HOLE BOLT 4X18WS	2	994-64040-185
103	30	668-8344	PLUG COVER	1	257-03045-20
104	31	668-4642	CLUTCH WASHER B	2	359-02103-20
105	32	668-4643	CLUTCH SHOE COMP.	2	290-01620-80
106	33	668-4644	CLUTCH SPRING	1	342-0630B-20
107	34	668-4645	CLUTCH PLATE A 0.5	2	348-0630A-20
108	35	668-4646	STEP BOLT	2	357-0075T-20
109	36	668-4634	HEX.HOLE BOLT 5X20/PS	3	994-63050-204
110	37	668-8011	CORD CLAMP COMP.	1	198-11600-80
111	38	668-4648	BENT WASHER 8	2	992-05080-030
112	39	668-4636	TAPPING SCREW D4.5X16	1	990-72045-164

B62-05 RECOIL STARTER



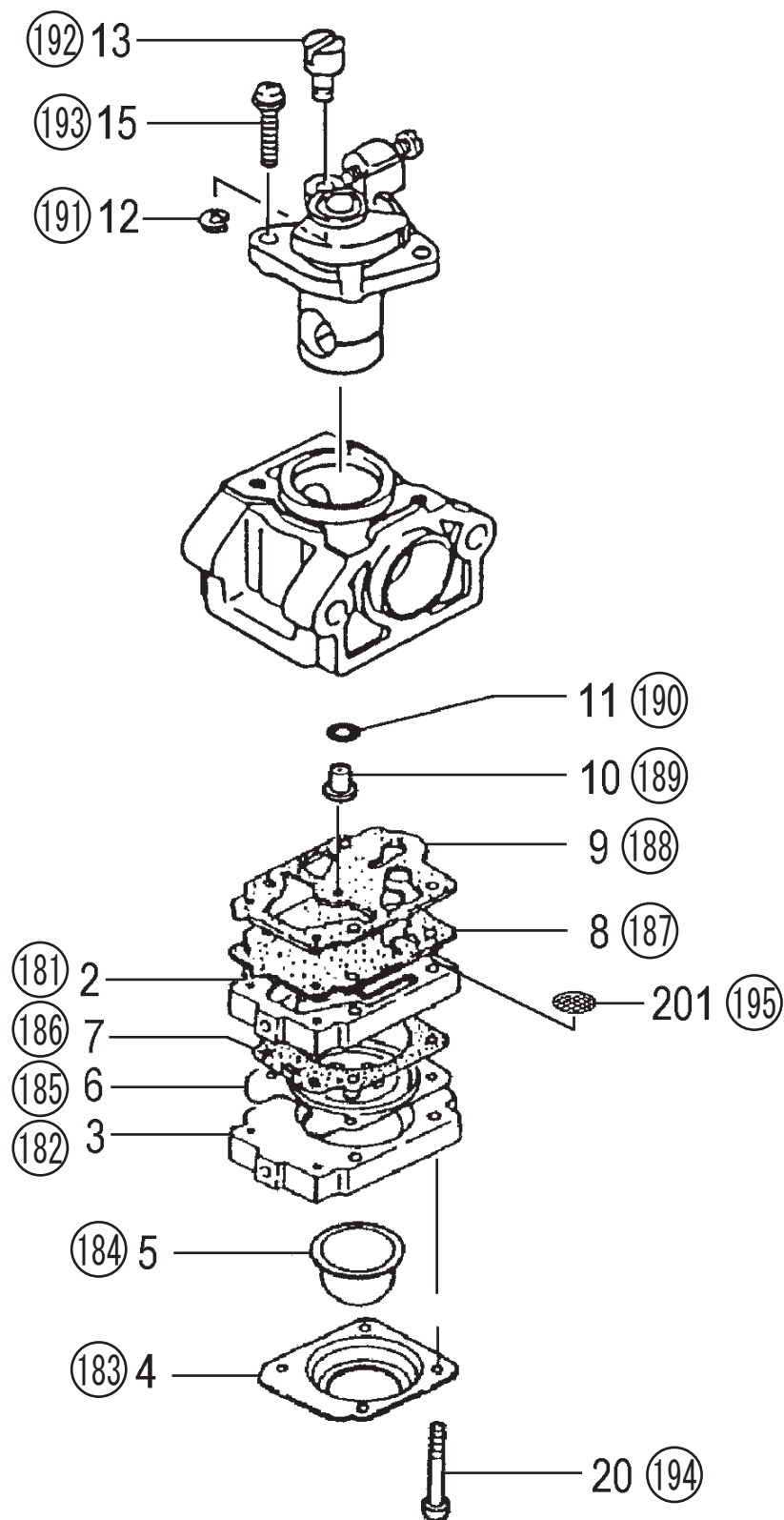
HITACHI NUMBER	REF. NUMBER	PARTS NUMBER	DESCRIPTION	Q'TY	TANAKA PARTS NUMBER
B62-05 RECOIL STARTER					
131	0	668-4672	RECOIL STARTER BODY ASS'Y	1	762-07350-90
132	1	668-4673	RECOIL STARTER BODY COMP.	1	772-07350-80
133	2	668-4674	STARTER ROPE 3.5X860	1	783-0720F-20
134	3	668-4675	RECOIL SPRING	1	780-06097-20
135	4	668-4676	STARTER ROPE REEL	1	774-0720F-20
136	5	668-4677	DUMPER SPRING	1	758-0651H-20
137	6	668-4678	CAM PLATE	1	759-0651H-20
138	7	668-4679	SET SCREW	1	839-03045-20
139	8	668-4680	STARTER HANDLE	1	785-03045-20
140	22	668-4681	STARTER PULLEY ASS'Y	1	798-0651H-90
141	24	669-5508	HEX. HOLE BOLT 4X18WS	2	994-64040-185
142	25	668-4683	STOP RING E-5	2	993-55050-000
143	26	668-4684	STARTER PAWL SPRING	2	790-06097-20
144	27	668-4685	STARTER PAWL	2	788-0651H-20

B62-06 AIR CLEANER



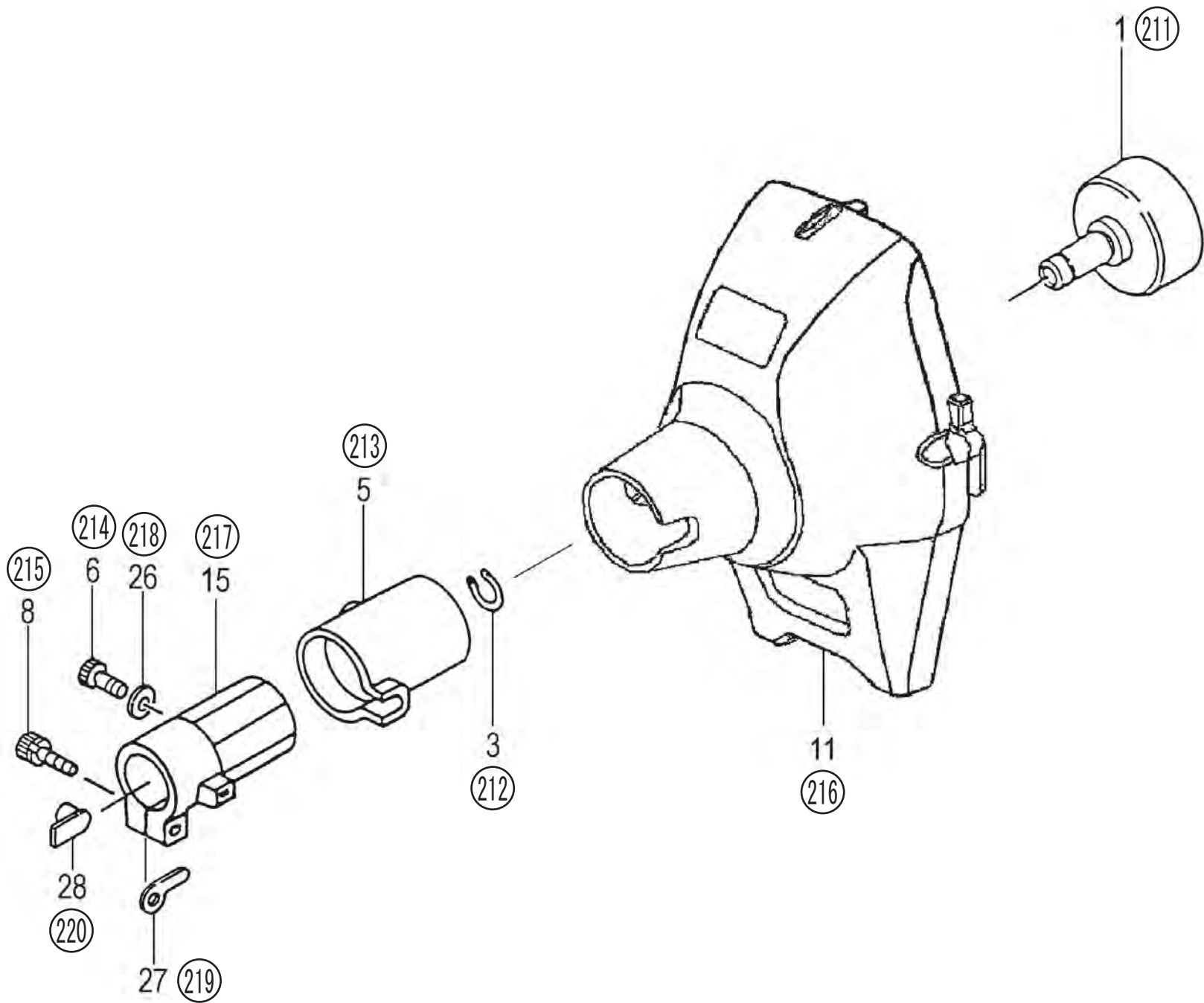
HITACHI NUMBER	REF. NUMBER	PARTS NUMBER	DESCRIPTION	Q'TY	TANAKA PARTS NUMBER
B62-06 AIR CLEANER					
161	0	669-0005	AIR CLEANER ASS'Y	1	410-00025-90
162	1	669-0139	AIR CLEANER CAP	1	424-00025-20
163	2	669-0347	CLEANER ELEMENT	1	446-00025-20
164	3	669-0801	COLLAR	2	470-00025-20
165	4	669-0085	CLEANER BODY COMP.	1	423-00025-80

B62-07 CARBURETOR



HITACHI NUMBER	REF. NUMBER	PARTS NUMBER	DESCRIPTION	Q'TY	TANAKA PARTS NUMBER
B62-07 CARBURETOR					
181	2	668-4879	PUMP BODY COMP.	1	575-25153-80
182	3	668-4687	PRIMING PUMP COMP.	1	442-25151-80
183	4	668-4688	DIAPHRAGM COVER	1	476-25151-20
184	5	668-4689	PRIMING BODY	1	447-25108-20
185	6	669-0830	METERING DIAPHRAGM COMP.	1	474-25241-80
186	7	668-4691	DIAPHRAGM GASKET	1	475-25153-20
187	8	668-4693	PUMP DIAPHRAGM	1	576-25100-20
188	9	669-1457	PUMP GASKET	1	577-25100-20
189	10	669-1887	LONG MAIN JET #33.5	1	599-200BW-33
190	11	668-4695	O-RING	1	550-25100-20
191	12	668-4696	STOP RING	1	489-25100-20
192	13	668-4697	SWIVEL	1	539-25120-20
193	15	668-4698	THROTTLE SET SCREW	2	548-25140-20
194	20	668-4699	SET SCREW	4	548-25151-20
195	201	668-4700	INLET SCREEN	1	578-25007-20

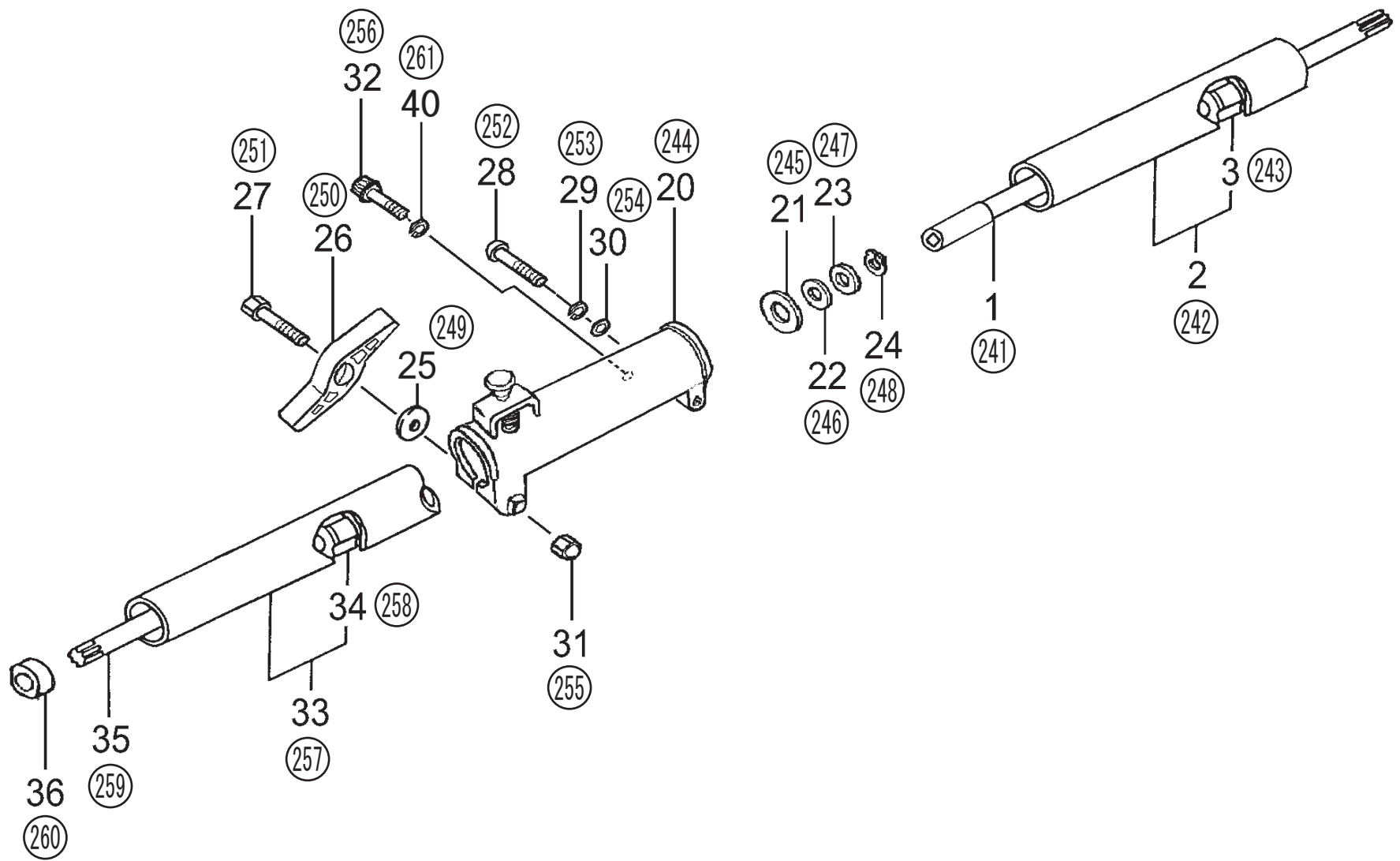
B62-08 FANCASE



HITACHI NUMBER	REF. NUMBER	PARTS NUMBER	DESCRIPTION	Q'TY	TANAKA PARTS NUMBER
B62-08 FANCASE					
211	1	668-8580	CLUTCH DRUM COMP.	1	289-03070-80
212	3	668-4664	STOP RING C-12 OUTER	1	993-50012-002
213	5	669-1823	CUSHION RUBBER	1	599-00980-21
214	6	669-5046	HEX. HOLE BOLT 5X16	1	990-51050-163
215	8	668-4709	HEX.HOLE BOLT M5X25/S	1	994-61050-254
216	11	668-6959	FAN CASE COMP.	1	112-03045-80
217	15	668-9651	PIPE HOLDER, TPE	1	360-00996-20
218	26	668-4918	WASHER M5	1	992-01050-061
219	27	668-9159	GEAR CASE WASHER	1	324-37350-20
220	28	668-9664	METAL FITTING	1	361-00990-20

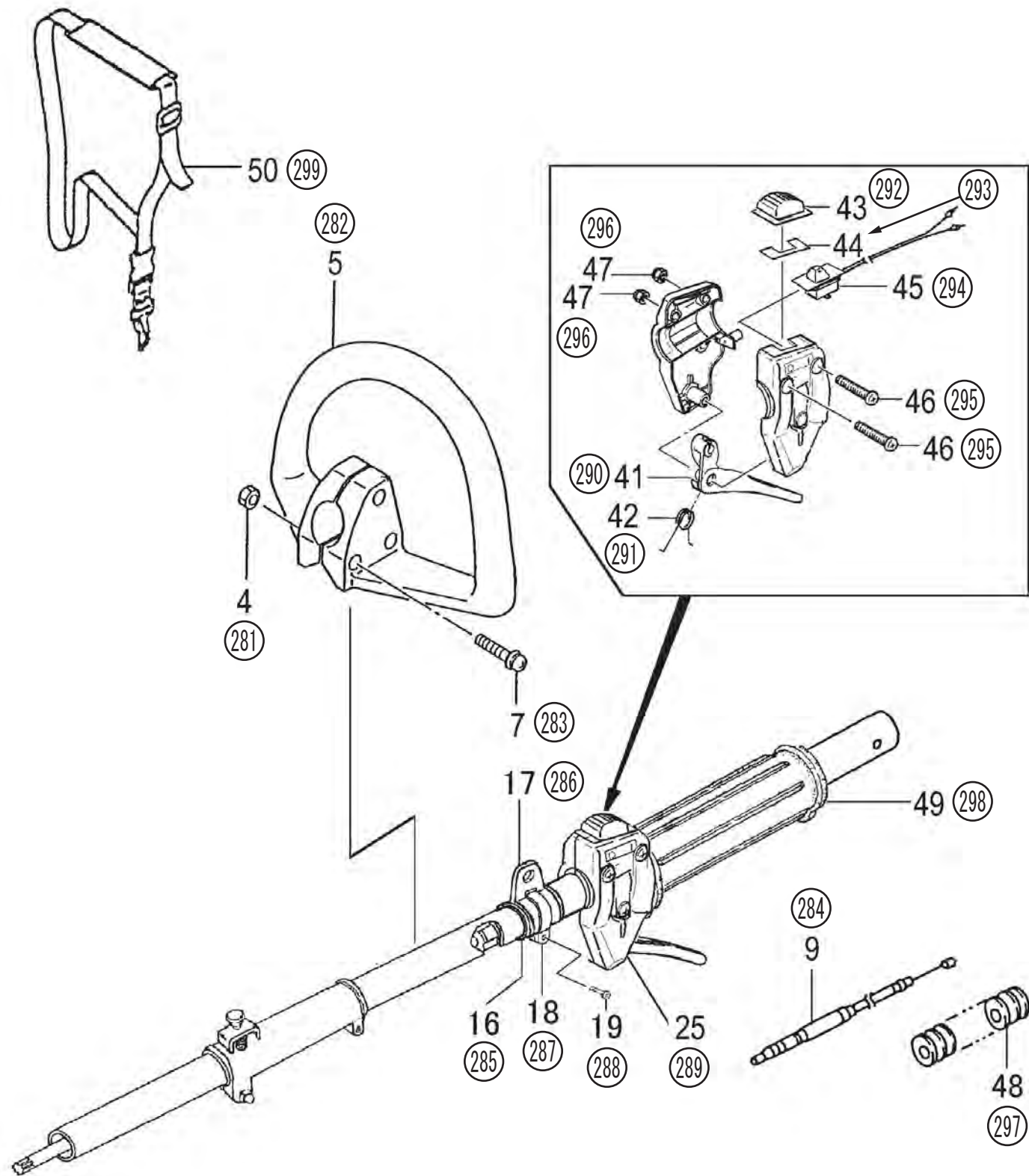
形 名
TBC255SF-7

B62-09 OPERATION PIPE



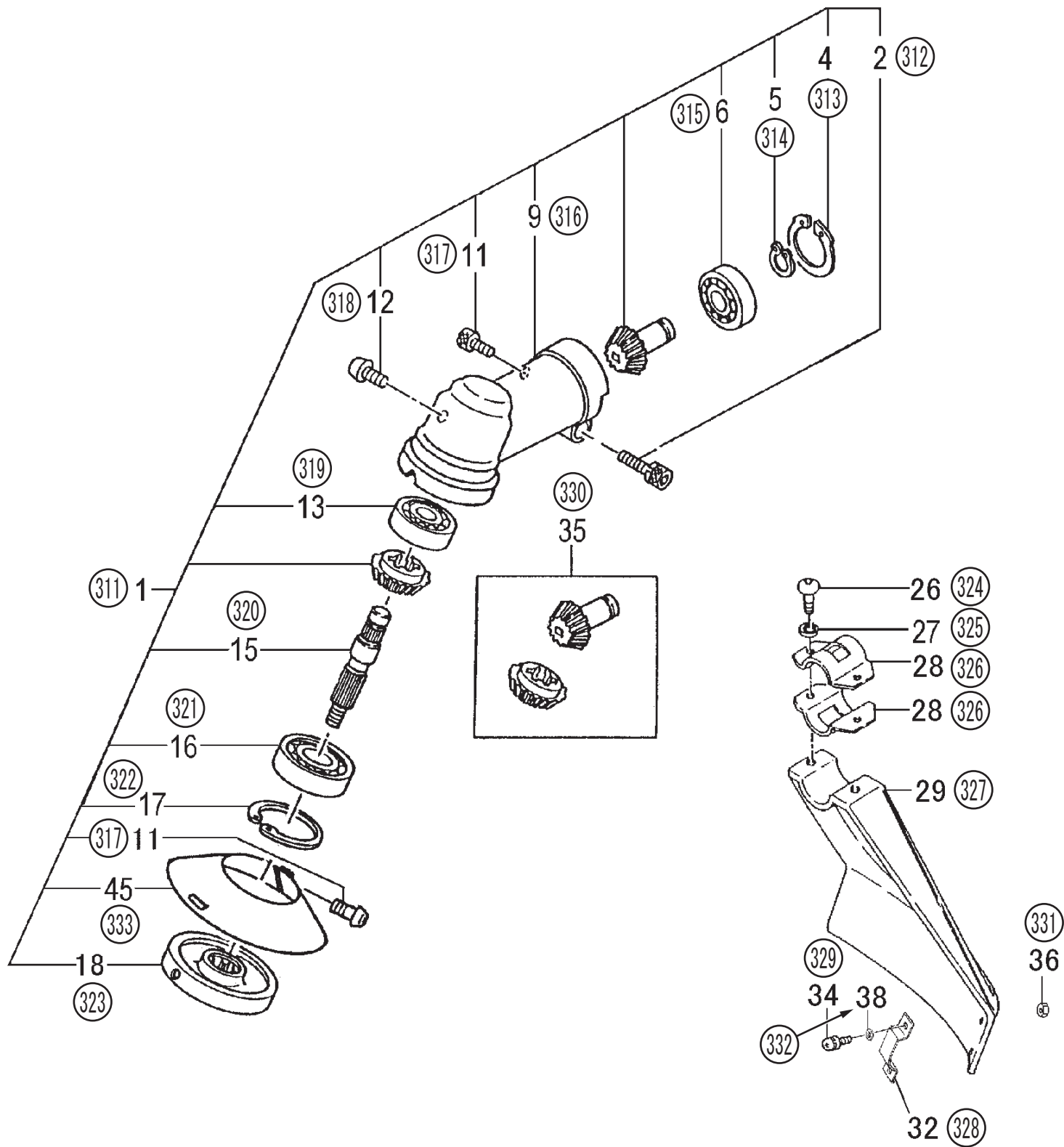
HITACHI NUMBER	REF. NUMBER	PARTS NUMBER	DESCRIPTION	Q'TY	TANAKA PARTS NUMBER
B62-09 OPERATION PIPE					
241	1	668-4814	DRIVE SHAFT A	1	035-38466-80
242	2	668-9415	DRIVE SHAFT COMP 742L	1	341-38603-80
243	3	668-9509	BUSH ASS'Y	3	347-30045-90
244	20	668-4817	JOINT CASE	1	280-38466-90
245	21	668-9139	SPACER 1.6	1	320-3331L-20
246	22	668-4819	SPACER	1	360-33315-20
247	23	668-4820	PULLEY WASHER	1	801-10205-20
248	24	668-4821	STOP RING C-10, OUTER	1	993-50010-002
249	25	668-4822	SPECIAL WASHER B	1	871-32600-20
250	26	668-4823	HANDLE KNOB	1	512-3338P-20
251	27	668-4824	HEX.BOLT 6X50	1	990-21060-504
252	28	668-4825	HEX. SOCKET HD. BOLT (W/BUTTON) M6	1	990-53060-353
253	29	668-4826	S.WASHER 6	1	992-10060-062
254	30	668-4827	SMALL WASHER 6 BLACK	1	992-00060-061
255	31	668-4828	CAP NUT 6	1	991-42060-012
256	32	668-4829	HEX. SOCKET HD. BOLT M5X12	1	990-51050-123
257	33	668-9415	DRIVE SHAFT COMP 742L	1	341-38603-80
258	34	668-9509	BUSH ASS'Y	3	347-30045-90
259	35	668-4832	DRIVE SHAFT B 783L	1	036-38190-20
260	36	668-4833	BUSHING	1	347-38466-20
261	40	668-4834	SPRING WASHER 5	1	992-10050-062

B62-10 THROTTLE LEVER



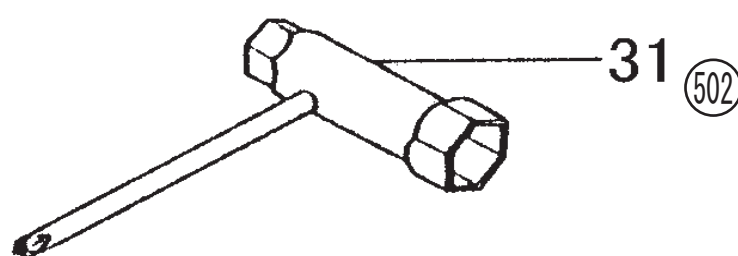
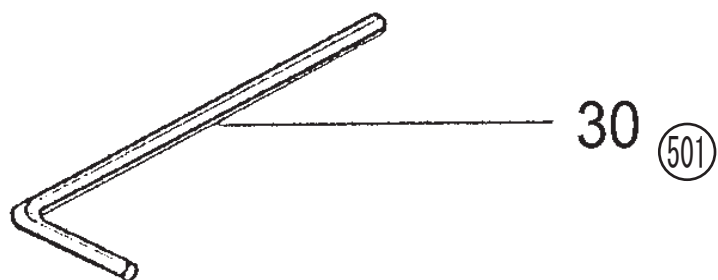
HITACHI NUMBER	REF. NUMBER	PARTS NUMBER	DESCRIPTION	Q'TY	TANAKA PARTS NUMBER
B62-10 THROTTLE LEVER					
281	4	668-5075	NUT M5 (BLACK)	3	991-01050-041
282	5	669-1057	FRONT HANDLE 24	1	500-38451-20
283	7	669-5426	HEX.HOLE BOLT 5X30S	3	994-16050-301
284	9	669-3977	THROTTLE WIRE 335+70	1	885-38230-80
285	16	668-9260	HANGER COLLAR	1	334-38360-20
286	17	668-9281	HANGER	1	335-38360-80
287	18	668-9294	HANGER FIXING BRACKET	1	337-38360-80
288	19	317-751	MACHINE SCREW (W/WASHERS) M5X25	1	994-16050-252
289	25	669-3770	THROTTLE LEVER ASS'Y 24	1	870-38451-90
290	41	668-5006	THROTTLE LEVER	1	880-38451-20
291	42	668-4998	RETURN SPRING	1	832-38451-20
292	43	668-5009	STOP SWITCH	1	162-38451-20
293	44	668-5003	SWITCH MARK	1	925-38451-20
294	45	668-7462	STOP SWITCH COMP.	1	156-38451-80
295	46	668-5076	MACHINE SCREW M5X30	3	990-11050-301
296	47	668-4965	NUT M5	3	991-01050-011
297	48	668-5007	PROTECTION TUBE D7X170	1	164-07017-01
298	49	669-1183	SHAFT GRIP	1	509-38453-21
299	50	668-4839	SHOULDER BELT SINGLE	1	746-3738F-90

B62-11 GEAR CASE/GUARD



HITACHI NUMBER	REF. NUMBER	PARTS NUMBER	DESCRIPTION	Q'TY	TANAKA PARTS NUMBER
B62-11 GEAR CASE/GUARD					
311	1	668-8819	GEAR CASE ASS'Y,24 DIA.	1	300-38451-90
312	2	668-4709	HEX.HOLE BOLT M5X25/S	1	994-61050-254
313	4	668-4732	STOP RING C-24,INNER	1	993-51024-002
314	5	669-5281	STOP RING C-9, OUTER	1	993-50009-002
315	6	668-4735	BALL BEARING 609Z ST	1	999-61609-002
316	9	668-8815	GEAR CASE 24	1	300-38360-21
317	11	669-5414	SCREW 5X12/W.S	2	994-16050-121
318	12	668-9109	OILING BOLT	1	316-38150-20
319	13	669-5567	BALL BEARING 626 , 19MM/OD	1	999-61626-000
320	15	668-8949	GEAR SHAFT	1	304-38451-20
321	16	669-5527	BALL BEARING 6000D, 26MM/OD	1	999-61600-003
322	17	669-5294	STOP RING C-26, INNER	1	993-51026-002
323	18	668-9033	CUTTER HOLDER	1	310-38360-20
324	26	668-5064	HEX. SOCKET HD. BOLT (W/BUTTON) M6X20	2	990-53060-203
325	27	668-4826	S.WASHER 6	2	992-10060-062
326	28	668-5065	SAFETY GUARD BRACKET	2	442-37417-20
327	29	668-5066	SAFETY COVER COMP.	1	441-37820-80
328	32	668-5067	KNIFE	1	797-37820-20
329	34	668-5068	MACHINE SCREW (W/SP. WASHER) M4X12	2	994-14040-121
330	35	668-8883	GEAR/PINION SET	1	301-38360-00
331	36	668-5069	NUT M4	2	991-01040-011
332	38	668-5070	BOLT WASHER M4	2	992-01040-011
333	45	668-8917	GEAR CASE COVER	1	303-38360-20

B62-12 TOOLS



HITACHI NUMBER	REF. NUMBER	PARTS NUMBER	DESCRIPTION	Q'TY	TANAKA PARTS NUMBER
B62-13 TOOLS					
501	30	668-4813	HEX. BAR WRENCH 4MM	1	813-20000-20
502	31	668-4979	COMBI BOX SPANNER 13X19 PLUS	1	829-20000-80