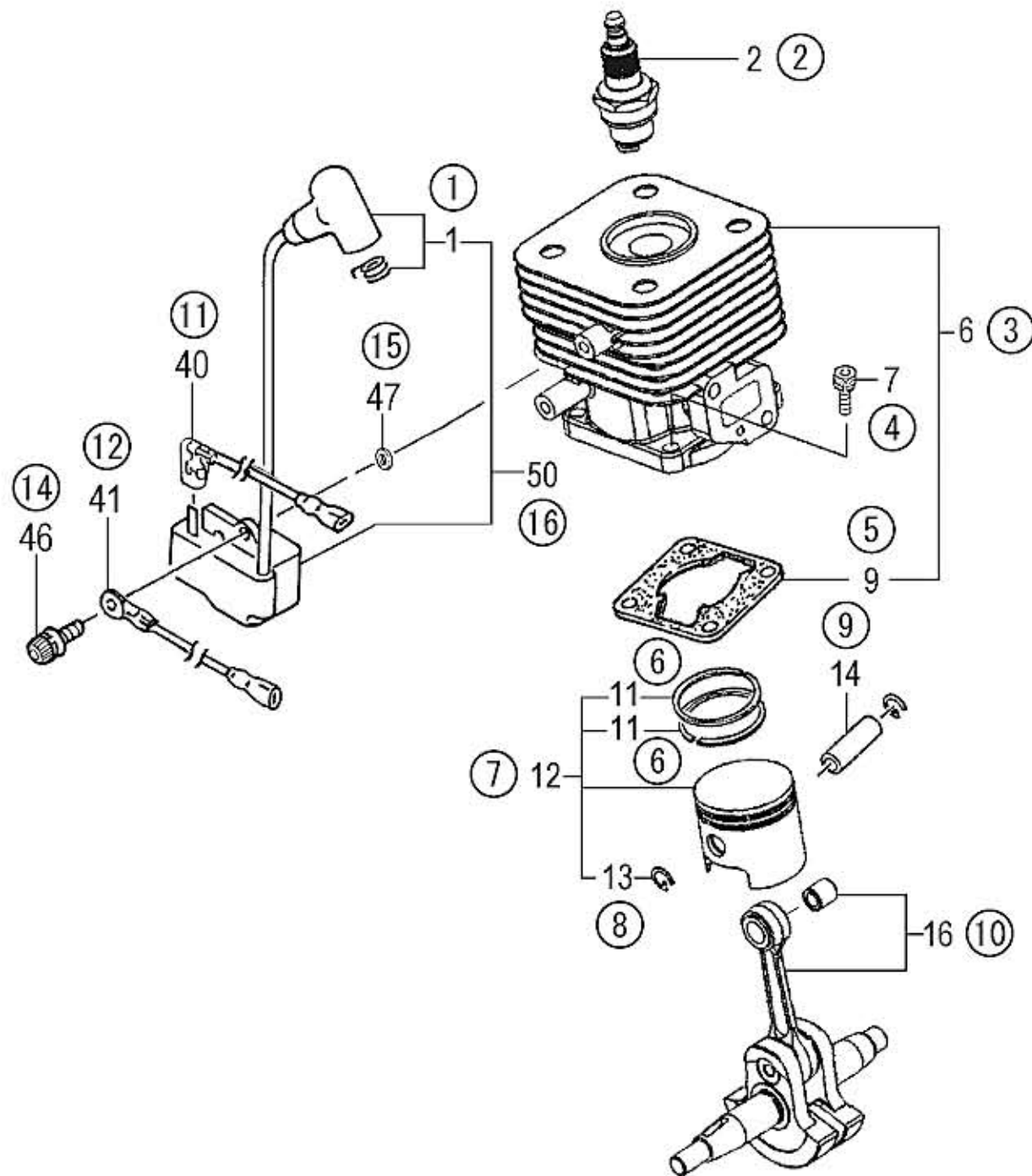


# B59-01 CYLINDER/PISTON/CRANK SHAFT

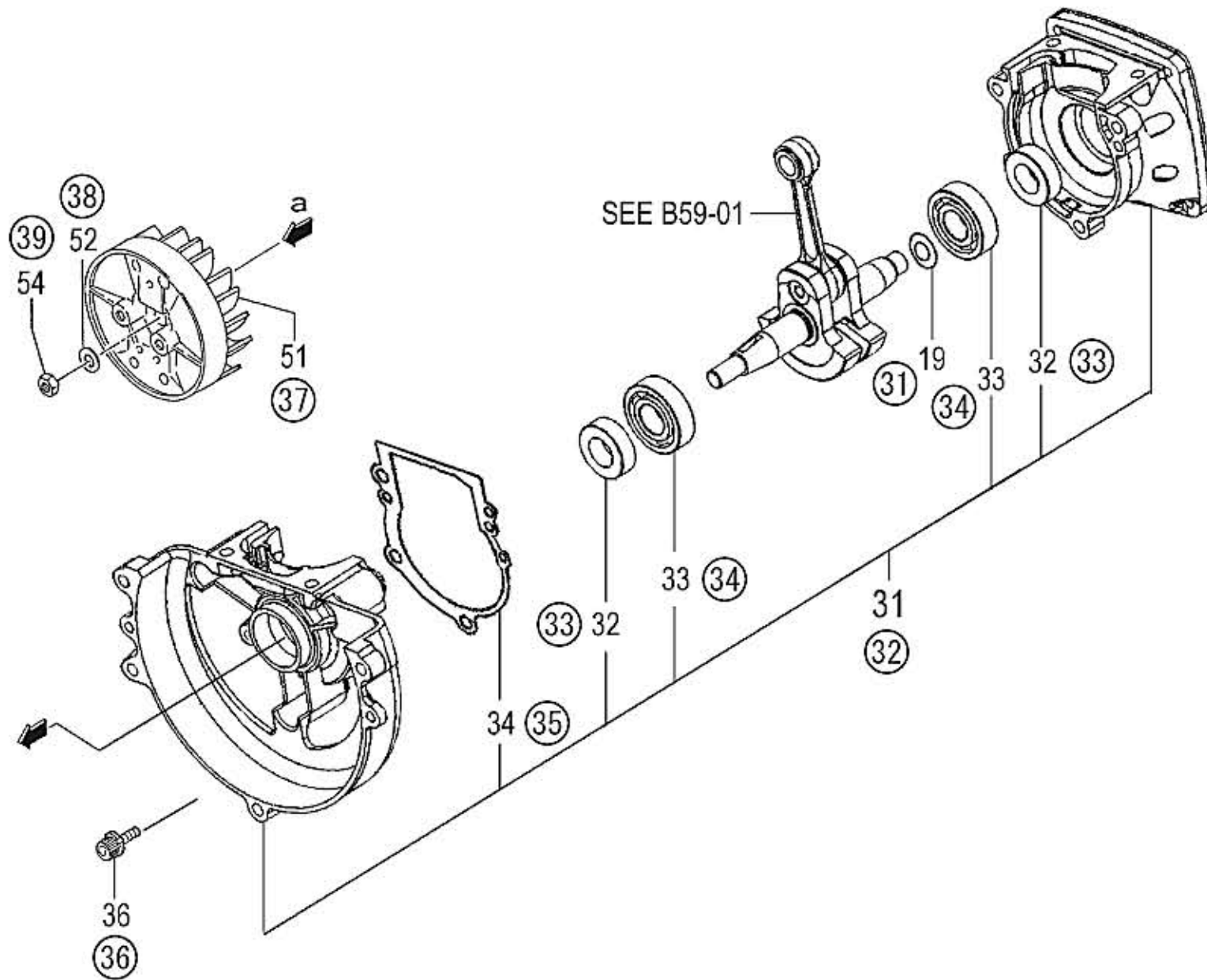


HITACHI NUMBER	REF. NUMBER	PARTS NUMBER	DESCRIPTION	Q'TY	TANAKA PARTS NUMBER
<b>B59-01 CYLINDER/PISTON/CRANK SHAFT</b>					
1	1	668-4894	PLUG CAP ASS'Y	1	157-01680-90
2	2	668-5052	SPARK PLUG CJ6	1	018-02233-20
3	6	668-4897	CYLINDER SET	1	001-07600-90
4	7	668-4586	HEX.HOLE BOLT M5X18/S	4	994-61050-184
5	9	668-4896	CYLINDER GASKET	1	017-07350-20
6	11	668-4588	PISTON RING	2	041-01601-20
7	12	668-4898	PISTON SET	1	030-07500-90
8	13	668-4590	PISTON PIN CIRCLIP	2	039-00601-20
9	14	668-4591	PISTON PIN	1	037-07045-20
10	16	668-6219	CRANK SHAFT COMP.	1	046-07350-82
11	40	668-7836	STOP CORD B 190M	1	178-01680-80
12	41	668-8443	EARTH CORD B 165M	1	274-01680-80
14	46	668-4599	HEX.HOLE BOLT M4X18/WS	2	994-64040-184
15	47	668-4600	WASHER	2	182-0186A-20
16	50	668-7684	IGNITION COIL ASSY	1	167-21012-90

形 名

TBC260PFL

# B59-02 CRANK CASE

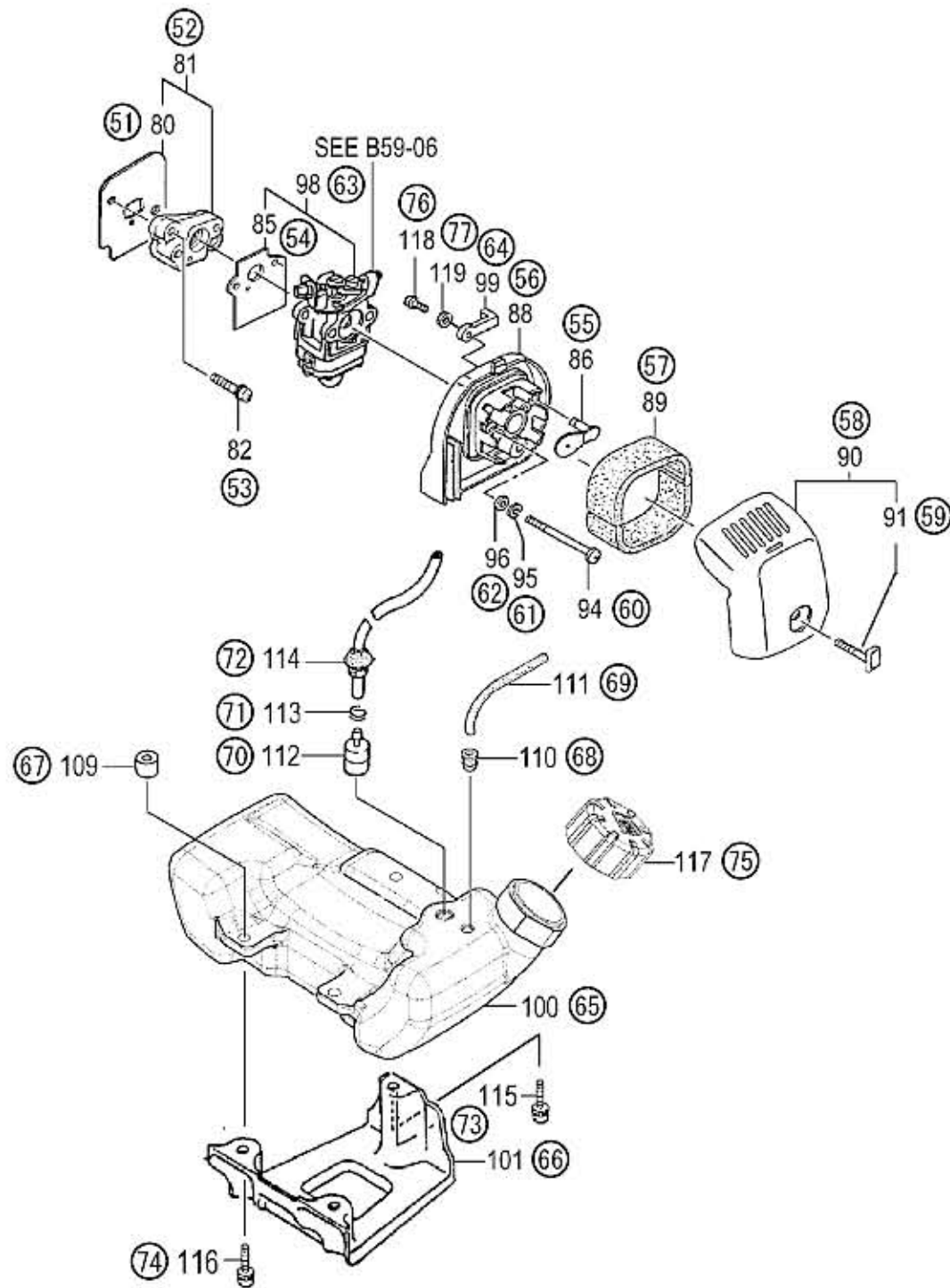


HITACHI NUMBER	REF. NUMBER	PARTS NUMBER	DESCRIPTION	Q'TY	TANAKA PARTS NUMBER
<b>B59-02 CRANK CASE</b>					
31	19	668-4604	GEAR SHAFT SHIM 0.20	V	330-00200-23
31	19	668-4605	GEAR SHAFT SHIM 0.30	V	330-00200-24
32	31	668-4905	CRANK CASE ASS'Y	1	072-03045-94
33	32	668-4607	OIL SEAL TB 12227	2	999-66122-200
34	33	669-5535	BALL BEARING 6001 C3	2	999-61600-115
35	34	668-4904	CRANK CASE GASKET	1	090-07350-22
36	36	668-4903	HEX.HOLE BOLT M5X16/S	4	994-61050-164
37	51	668-7384	MAGNETO ROTOR COMP.	1	155-21012-81
38	52	668-4611	WASHER M8	1	992-01080-011
39	54	668-4612	HEX.NUT M8	1	991-01080-011

形 名

TBC260PFL

# B59-03 ENGINE-1

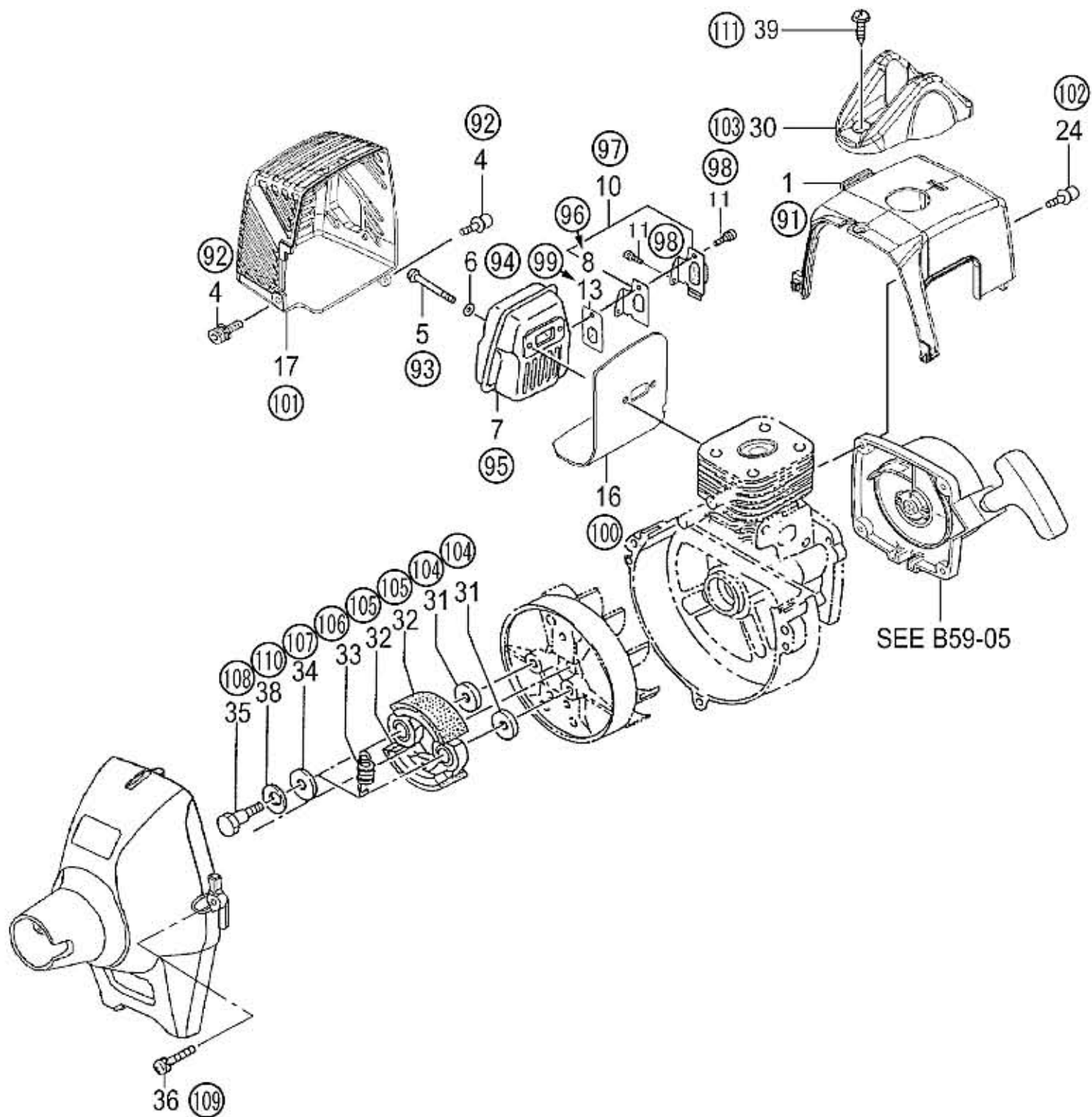


HITACHI NUMBER	REF. NUMBER	PARTS NUMBER	DESCRIPTION	Q'TY	TANAKA PARTS NUMBER
<b>B59-03 ENGINE-1</b>					
51	80	668-9895	INLET MANIFOLD GASKET	1	403-07020-21
52	81	668-9972	INSULATOR SET	1	404-07020-91
53	82	668-4617	HEX. HOLE BOLT 5X25/WS	2	994-64050-255
54	85	668-4616	CARBURETOR GASKET	1	402-0656A-20
55	86	669-1276	CHOKE PLATE 2.0	1	528-0652N-22
56	88	669-0120	CLEANER BODY COMP.	1	423-0652N-80
57	89	669-0365	CLEANER SPONGE	1	446-0652N-20
58	90	669-0402	CLEANER COVER ASS'Y	1	452-03046-90
59	91	669-0384	COVER FIXING BOLT	1	450-07024-80
60	94	669-4914	SCREW 5X55	2	990-11050-552
61	95	668-4662	S.WASHER 5	2	992-10050-012
62	96	668-4864	SMALL WASHER 5	2	992-00050-011
63	98	669-0465	CARBURETOR SET WYJ318	1	455-03045-90
64	99	669-1239	CHOKE CONTROL LEVER	1	523-0652N-20
65	100	669-1605	TANK(EVAPO)	1	591-0735F-20
66	101	669-4787	STAND	1	940-07350-20
67	109	668-4623	COLLAR C	3	659-04300-20
68	110	668-4627	RETURN GROMMET	1	534-32710-20
69	111	668-4626	FUEL PIPE 3X5X65	1	700-03005-06
70	112	668-4620	PUMP FILTER BODY COMP.	1	675-04042-80
71	113	668-4619	CLIP,6.3 DIA.	1	680-00731-20
72	114	668-4618	FUEL PIPE ASS'Y	1	223-0097A-90
73	115	668-4617	HEX. HOLE BOLT 5X25/WS	1	994-64050-255
74	116	668-4634	HEX.HOLE BOLT 5X20/PS	2	994-63050-204
75	117	669-1748	TANK CAP D ASS'Y	1	595-03002-90
76	118	669-5280	TAP SCREW 4X14 P	1	993-49040-142
77	119	668-5070	BOLT WASHER M4	1	992-01040-011

形 名

TBC260PFL

# B59-04 ENGINE-2

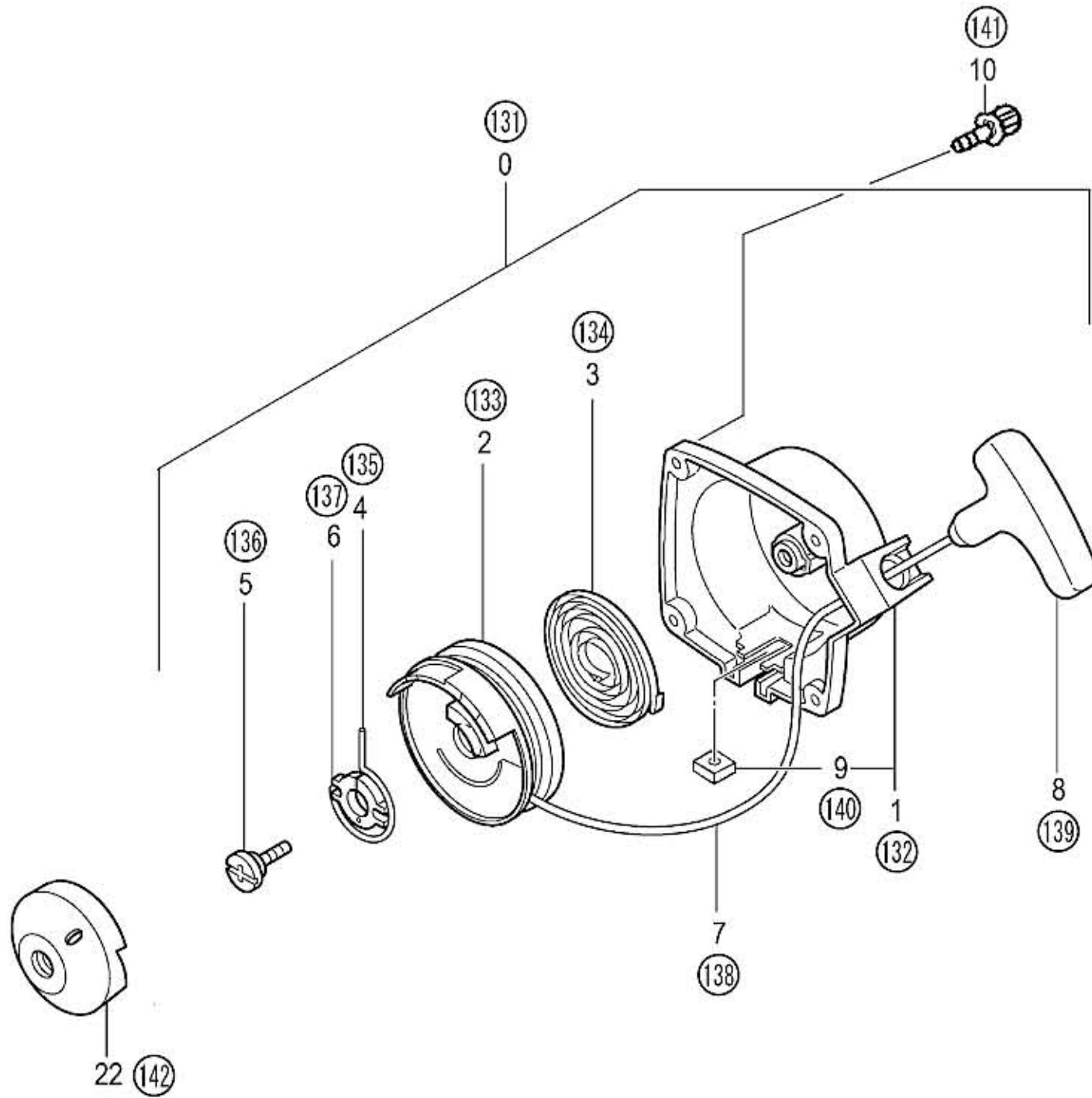


HITACHI NUMBER	REF. NUMBER	PARTS NUMBER	DESCRIPTION	Q'TY	TANAKA PARTS NUMBER
<b>B59-04 ENGINE-2</b>					
91	1	668-5693	CYLINDER COVER (BLK)	1	016-07500-20
92	4	669-5504	HEX.HOLE BOLT 5X16/PS	2	994-63050-164
93	5	669-5067	HEX.HOLE BOLT 6X65	2	990-51060-653
94	6	668-4639	WASHER 6	2	992-01060-011
95	7	669-2576	MUFFLER COMP.	1	706-07500-80
96	8	669-2888	TAIL PIPE GASKET	1	751-07250-20
97	10	669-2715	TAIL PIPE SET	1	734-07255-90
98	11	668-4651	SCREW M4X8/WS	2	994-36040-081
99	13	669-2701	SPARK ARRESTER	1	732-07250-20
100	16	668-7265	HEAT SHIELD	1	133-07500-20
101	17	669-2818	MUFFLER PROTECTOR BLK	1	738-07500-20
102	24	669-5508	HEX. HOLE BOLT 4X18WS	2	994-64040-185
103	30	668-8344	PLUG COVER	1	257-03045-20
104	31	668-4642	CLUTCH WASHER B	2	359-02103-20
105	32	668-4643	CLUTCH SHOE COMP.	2	290-01620-80
106	33	668-4644	CLUTCH SPRING	1	342-0630B-20
107	34	668-4645	CLUTCH PLATE A 0.5	2	348-0630A-20
108	35	668-4646	STEP BOLT	2	357-0075T-20
109	36	668-4634	HEX.HOLE BOLT 5X20/PS	3	994-63050-204
110	38	668-4648	BENT WASHER 8	2	992-05080-030
111	39	668-4636	TAPPING SCREW D4.5X16	1	990-72045-164

形 名

TBC260PFL

# B59-05 RECOIL STARTER

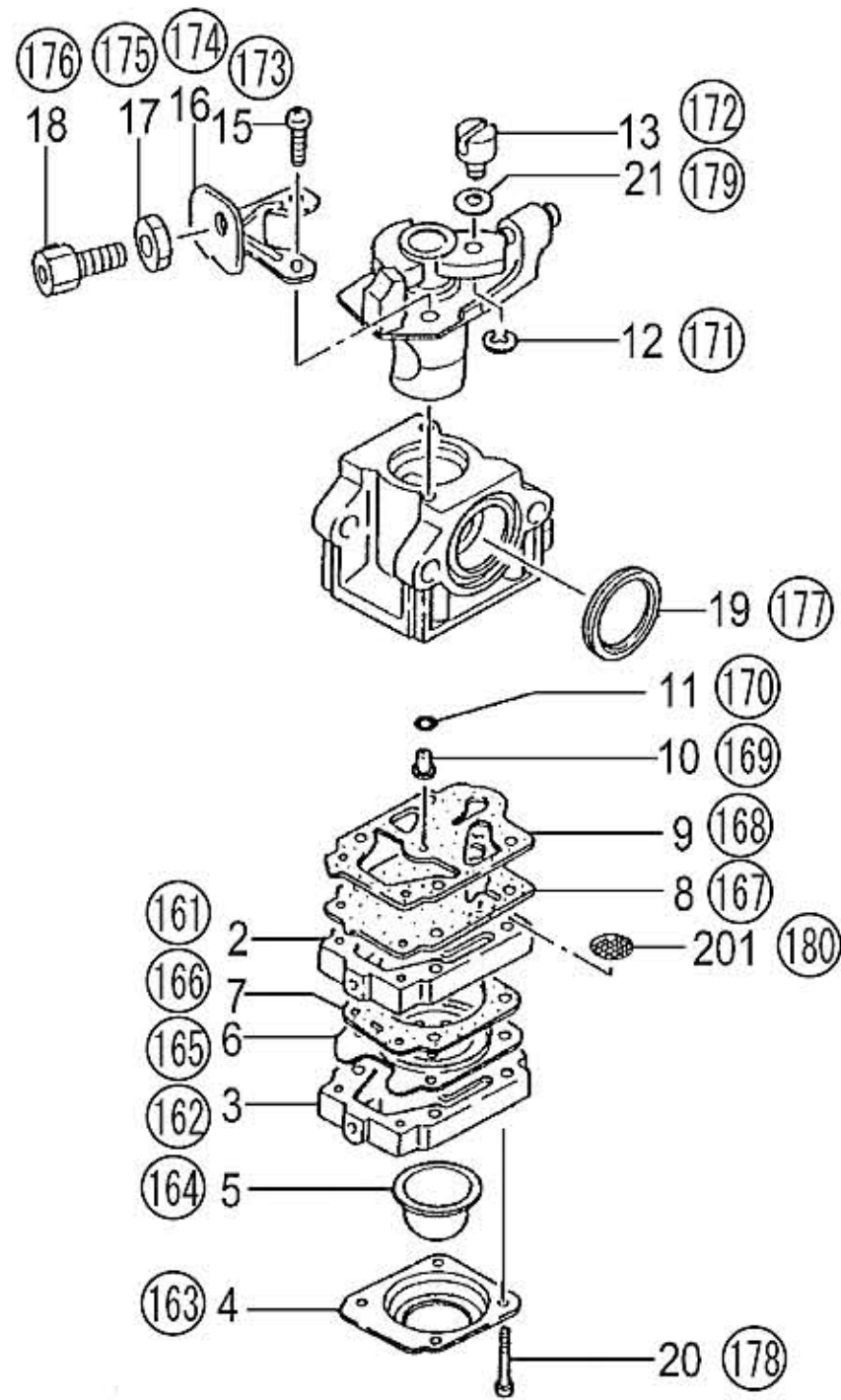


HITACHI NUMBER	REF. NUMBER	PARTS NUMBER	DESCRIPTION	Q'TY	TANAKA PARTS NUMBER
<b>B59-05 RECOIL STARTER</b>					
131	0	668-4938	RECOIL STARTER BODY ASS'Y	1	762-03045-90
132	1	668-4944	RECOIL STARTER BODY COMP.	1	772-03045-80
133	2	668-4941	STARTER ROPE REEL	1	774-03045-20
134	3	668-4942	RECOIL SPRING	1	779-03045-20
135	4	668-4940	SWING ARM	1	777-03045-20
136	5	668-4679	SET SCREW	1	839-03045-20
137	6	668-4939	PULLEY STAY	1	771-03045-20
138	7	668-4943	ROPE 3.0X800	1	783-03045-20
139	8	668-4680	STARTER HANDLE	1	785-03045-20
140	9	668-5000	SPECIAL NUT M5	1	315-33340-20
141	10	669-5508	HEX. HOLE BOLT 4X18WS	2	994-64040-185
142	22	668-4937	STARTER PULLEY	1	798-03045-20

形 名

TBC260PFL

# B59-06 CARBURETOR

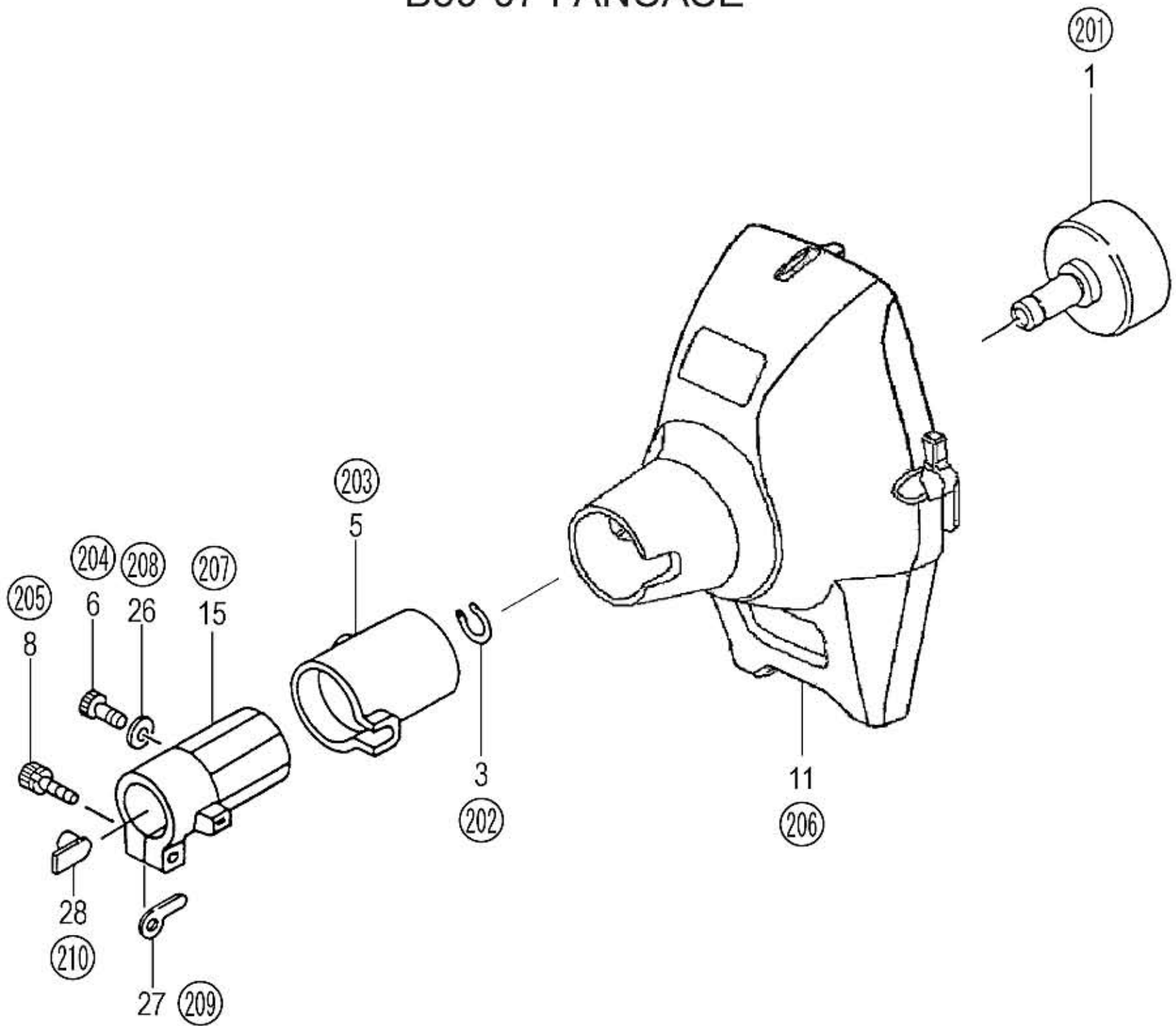


HITACHI NUMBER	REF. NUMBER	PARTS NUMBER	DESCRIPTION	Q'TY	TANAKA PARTS NUMBER
<b>B59-06 CARBURETOR</b>					
161	2	668-4879	PUMP BODY COMP.	1	575-25153-80
162	3	668-4687	PRIMING PUMP COMP.	1	442-25151-80
163	4	668-4688	DIAPHRAGM COVER	1	476-25151-20
164	5	668-4689	PRIMING BODY	1	447-25108-20
165	6	669-0830	METERING DIAPHRAGM COMP.	1	474-25241-80
166	7	668-4691	DIAPHRAGM GASKET	1	475-25153-20
167	8	668-4693	PUMP DIAPHRAGM	1	576-25100-20
168	9	669-1457	PUMP GASKET	1	577-25100-20
169	10	669-6130	MAIN JET #38.5	1	599-200BW-38
170	11	668-4695	O-RING	1	550-25100-20
171	12	668-4696	STOP RING	1	489-25100-20
172	13	668-4697	SWIVEL	1	539-25120-20
173	15	668-4870	THROTTLE SET SCREW	2	514-25100-20
174	16	668-4873	CABLE ADJUSTER STAY	1	544-25164-20
175	17	668-4872	LOCK NUT M6	1	991-01060-013
176	18	668-4871	CABLE ADJUSTER	1	614-25137-20
177	19	668-4875	CLEANER PACKING	1	431-0634C-20
178	20	668-4699	SET SCREW	4	548-25151-20
179	21	668-4874	THRUST WASHER	1	549-25165-20
180	201	668-4700	INLET SCREEN	1	578-25007-20

形 名

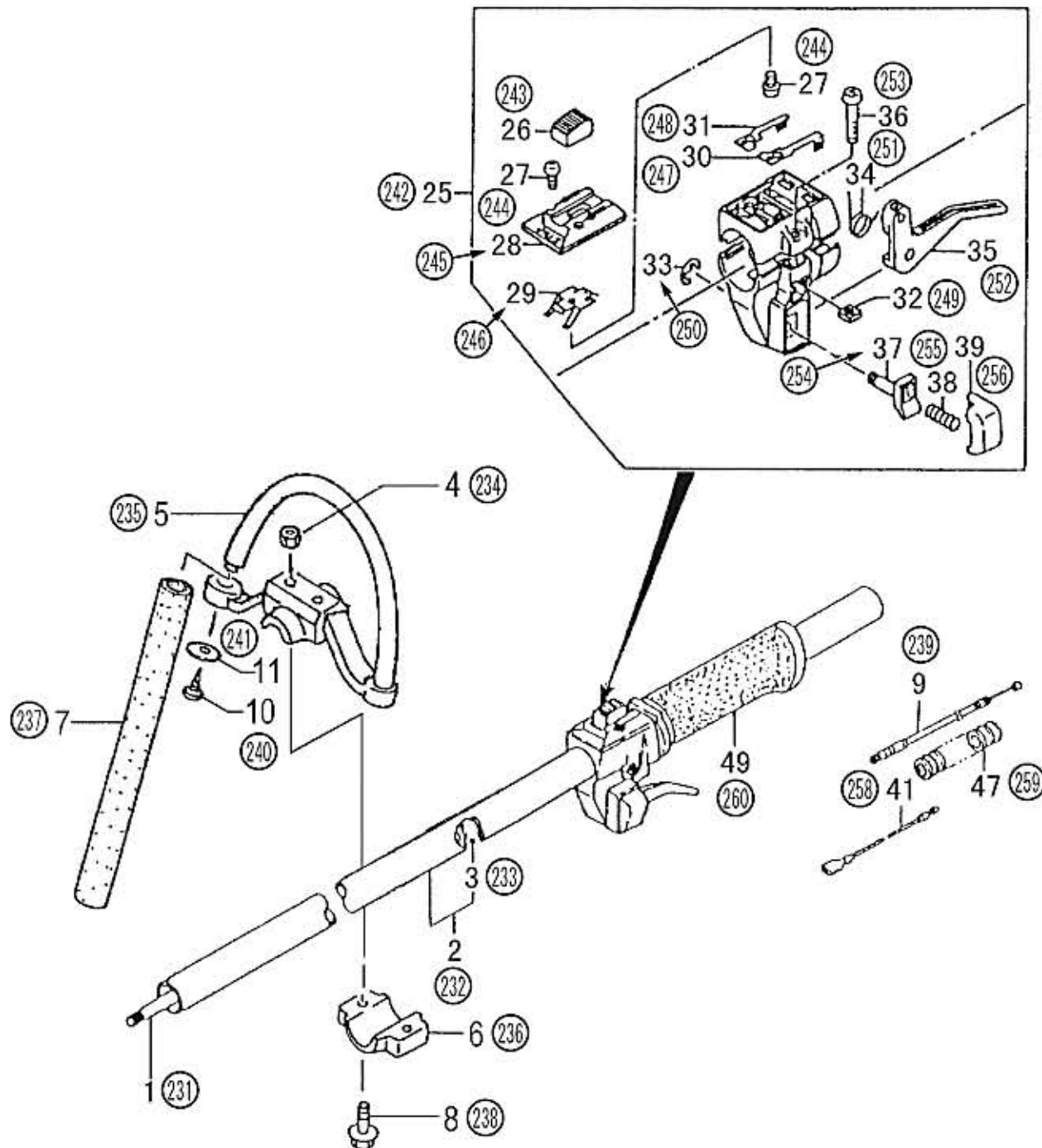
TBC260PFL

# B59-07 FANCASE



HITACHI NUMBER	REF. NUMBER	PARTS NUMBER	DESCRIPTION	Q'TY	TANAKA PARTS NUMBER
<b>B59-07 FANCASE</b>					
201	1	668-8580	CLUTCH DRUM COMP.	1	289-03070-80
202	3	668-4664	STOP RING C-12 OUTER	1	993-50012-002
203	5	669-1823	CUSHION RUBBER	1	599-00980-21
204	6	669-5046	HEX. HOLE BOLT 5X16	1	990-51050-163
205	8	668-4709	HEX.HOLE BOLT M5X25/S	1	994-61050-254
206	11	668-6959	FAN CASE COMP.	1	112-03045-80
207	15	668-9651	PIPE HOLDER, TPE	1	360-00996-20
208	26	668-4918	WASHER M5	1	992-01050-061
209	27	668-9159	GEAR CASE WASHER	1	324-37350-20
210	28	668-9664	METAL FITTING	1	361-00990-20

# B59-08 OPERATION PIPE/LEVER



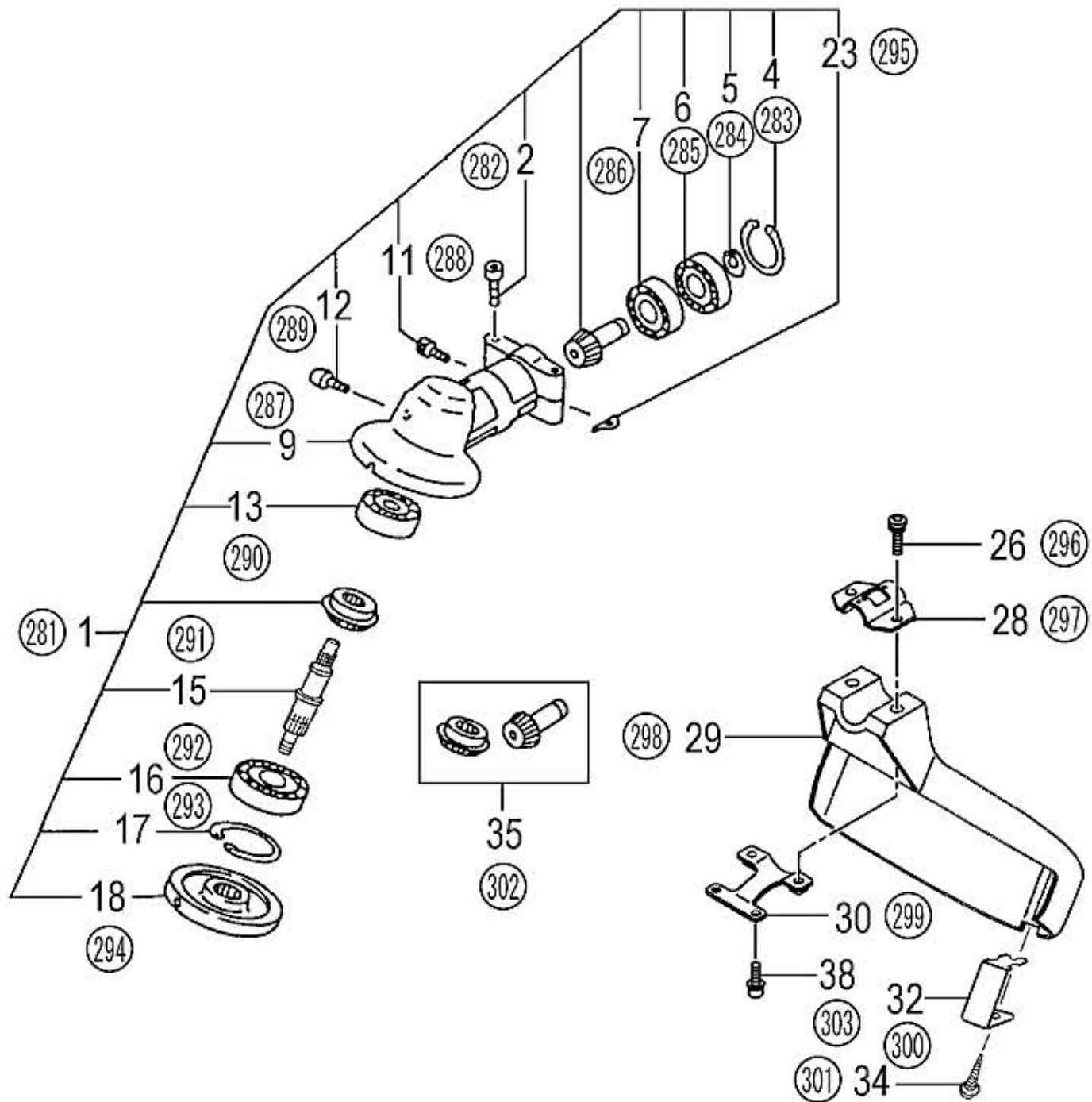
HITACHI NUMBER	REF. NUMBER	PARTS NUMBER	DESCRIPTION	Q'TY	TANAKA PARTS NUMBER
<b>B59-08 OPERATION PIPE/LEVER</b>					
231	1	668-9443	DRVE SHAFT 1829L	1	343-32346-20
232	2	668-9416	DRVE SHAFT PIPE 1800L	1	341-38604-80
233	3	668-4831	BUSH ASS'Y	6	347-38360-90
234	4	668-4835	HEX.NUT 6	2	991-01060-041
235	5	669-1046	LOOP HANDLE, 24 DIA.,BLACK	1	500-37286-20
236	6	669-1134	HANDLE BRACKET A	1	506-37300-20
237	7	669-1098	HANDLE GRIP	1	503-3738E-20
238	8	668-4838	BOLT 6X43/P (BLACK)	2	994-23060-432
239	9	669-3963	THROTTLE WIRE COMP., 4T	1	885-37394-80
240	10	669-5255	TAPPING SCREW 5X20	1	993-11052-012
241	11	668-9681	BRAKE SHAFT WASHER	1	368-32350-20
242	25	669-3736	THROTTLE LEVER ASS'Y	1	870-37286-90
243	26	668-7515	STOP SWITCH	1	162-37101-20
244	27	669-5274	TAPPING SCREW 3X8	3	993-42030-081
245	28	668-8374	STOP SWITCH BASE	1	259-37101-20
246	29	668-8385	STOP SWITCH SPRING	1	262-37101-20
247	30	668-7805	EARTH TERMINAL B	1	177-37101-20
248	31	668-7801	EARTH TERMINAL A	1	176-37101-20
249	32	668-5000	SPECIAL NUT M5	2	315-33340-20
250	33	669-5311	STOP RING E-6	1	993-55060-001
251	34	669-3601	RETURN SPRING	1	832-37101-20
252	35	669-3804	THROTTLE ARM	1	880-37286-20
253	36	669-5453	SCREW 5X20	2	994-31050-201
254	37	669-3653	LOCK BUTTON SHAFT	1	853-37101-20
255	38	669-4834	LOCK BUTTON SPRING	1	958-37101-20
256	39	669-4829	LOCK BUTTON	1	956-37101-20
258	41	668-7915	STOP CORD, B430M	2	178-37394-80
259	47	668-7563	PROTECTION TUBE 10X190L	1	164-10019-00
260	49	669-1111	SHAFT GRIP	1	504-37300-20

形 名

TBC260PFL



# B59-09 GEAR CASE/GUARD

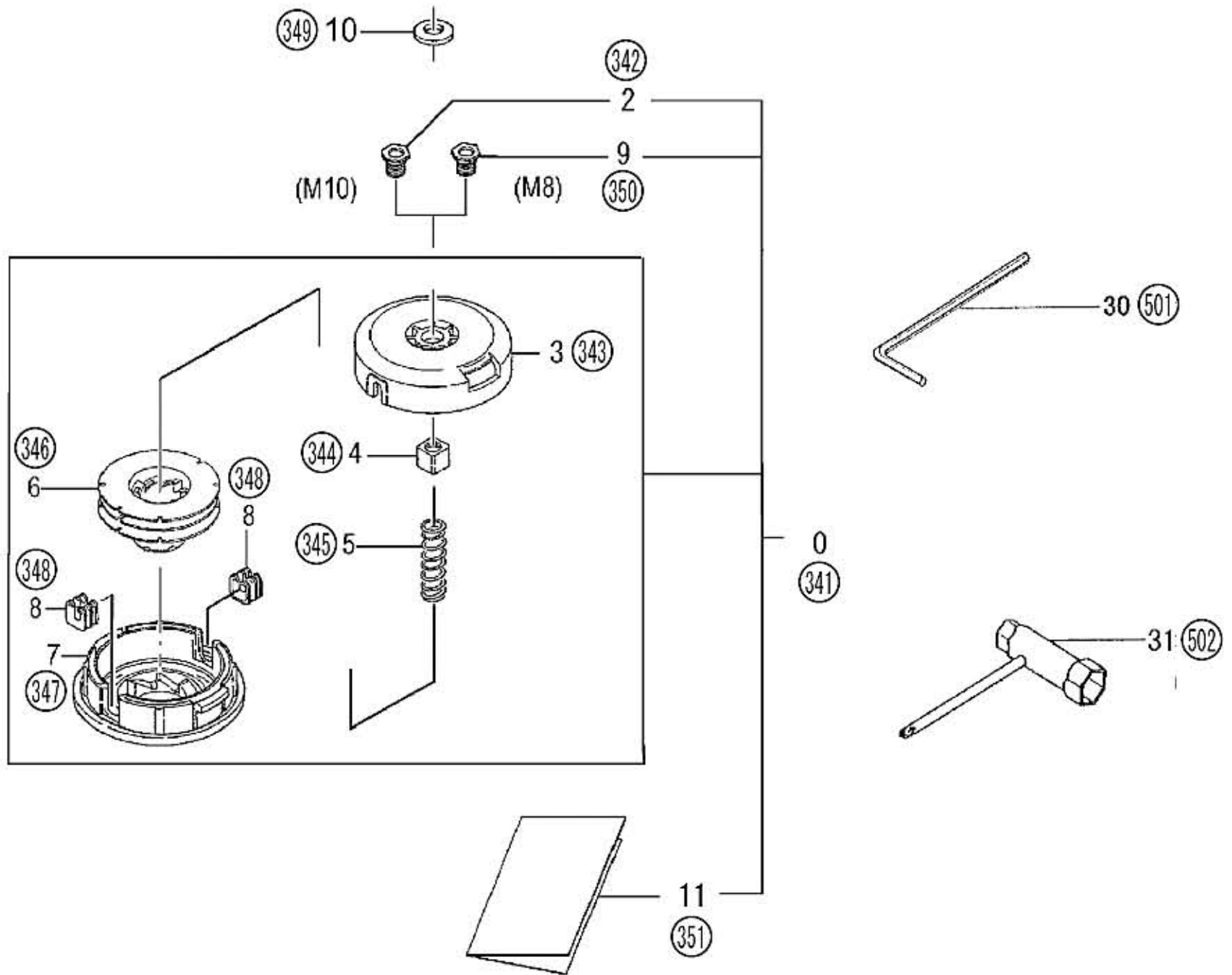


HITACHI NUMBER	REF. NUMBER	PARTS NUMBER	DESCRIPTION	Q'TY	TANAKA PARTS NUMBER
<b>B59-09 GEAR CASE/GUARD</b>					
281	1	668-8812	GEAR CASE ASSY 24	1	300-38159-91
282	2	668-4709	HEX.HOLE BOLT M5X25/S	2	994-61050-254
283	4	669-5293	STOP RING C-22, INNER	1	993-51022-002
284	5	669-5315	STOP RING OUTER 10	1	993-57010-002
285	6	669-5579	BALL BEARING	1	999-61690-002
286	7	669-5577	BALL BEARING 6900, 22MM/OD	1	999-61690-000
287	9	668-8808	GEAR CASE 24	1	300-38150-21
288	11	668-4667	HEX.HOLE BOLT M5X12/S	1	994-61050-124
289	12	668-9109	OILING BOLT	1	316-38150-20
290	13	668-4734	BALL BEARING 609	1	999-61609-000
291	15	668-8946	GEAR SHAFT	1	304-38150-20
292	16	669-5554	BALL BEARING 6201D, 32MM/OD	1	999-61620-103
293	17	669-5295	STOP RING C-32, INNER	1	993-51032-002
294	18	668-9032	CUTTER HOLDER	1	310-38150-20
295	23	668-9159	GEAR CASE WASHER	1	324-37350-20
296	26	668-4714	HEX.HOLE BUTTON SCREW 6X25S	2	994-81060-254
297	28	668-5065	SAFETY GUARD BRACKET	1	442-37417-20
298	29	669-0272	SAFETY COVER, 24 DIA.	1	441-38150-20
299	30	669-0343	SAFETY GUARD HOLDER	1	445-38150-20
300	32	669-3388	KNIFE	1	797-38150-20
301	34	668-4753	TAPPING SCREW 5X20	1	993-17052-002
302	35	668-8882	GEAR PINION SET SPARE	1	301-38150-00
303	38	668-4667	HEX.HOLE BOLT M5X12/S	2	994-61050-124

形 名

TBC260PFL

# B59-10 TOOLS & NYLON HEAD



HITACHI NUMBER	REF. NUMBER	PARTS NUMBER	DESCRIPTION	Q'TY	TANAKA PARTS NUMBER
<b>B59-10 TOOLS &amp; NYLON HEAD</b>					
341	0	669-3214	NYLON HEAD SURE-TAP U2 BF5	1	783-3383B-91
342	2	668-4756	MOUNTING NUT L-M10X1.25	1	356-3383B-20
343	3	668-4757	CUTTING BODY	1	786-33830-20
344	4	668-4758	SPECIAL NUT	1	315-33830-20
345	5	668-4759	REEL SPRING	1	793-33830-20
346	6	668-4760	SPOOL	1	787-33830-20
347	7	668-4761	CUTTING BODY CAP	1	789-33830-20
348	8	668-4762	EYELET	2	788-33830-20
349	10	668-5072	BOLT WASHER M12	1	992-01120-011
350	9	668-9624	MOUNTING NUT L-M8X1.25	1	356-3383E-20
351	11	669-7612	MANUAL SURE TAP	1	967-37820-21
501	30	668-4813	HEX. BAR WRENCH 4MM	1	813-20000-20
502	31	668-4764	BOX WRENCH (HEX. SOCKET 17/19)	1	826-20000-80