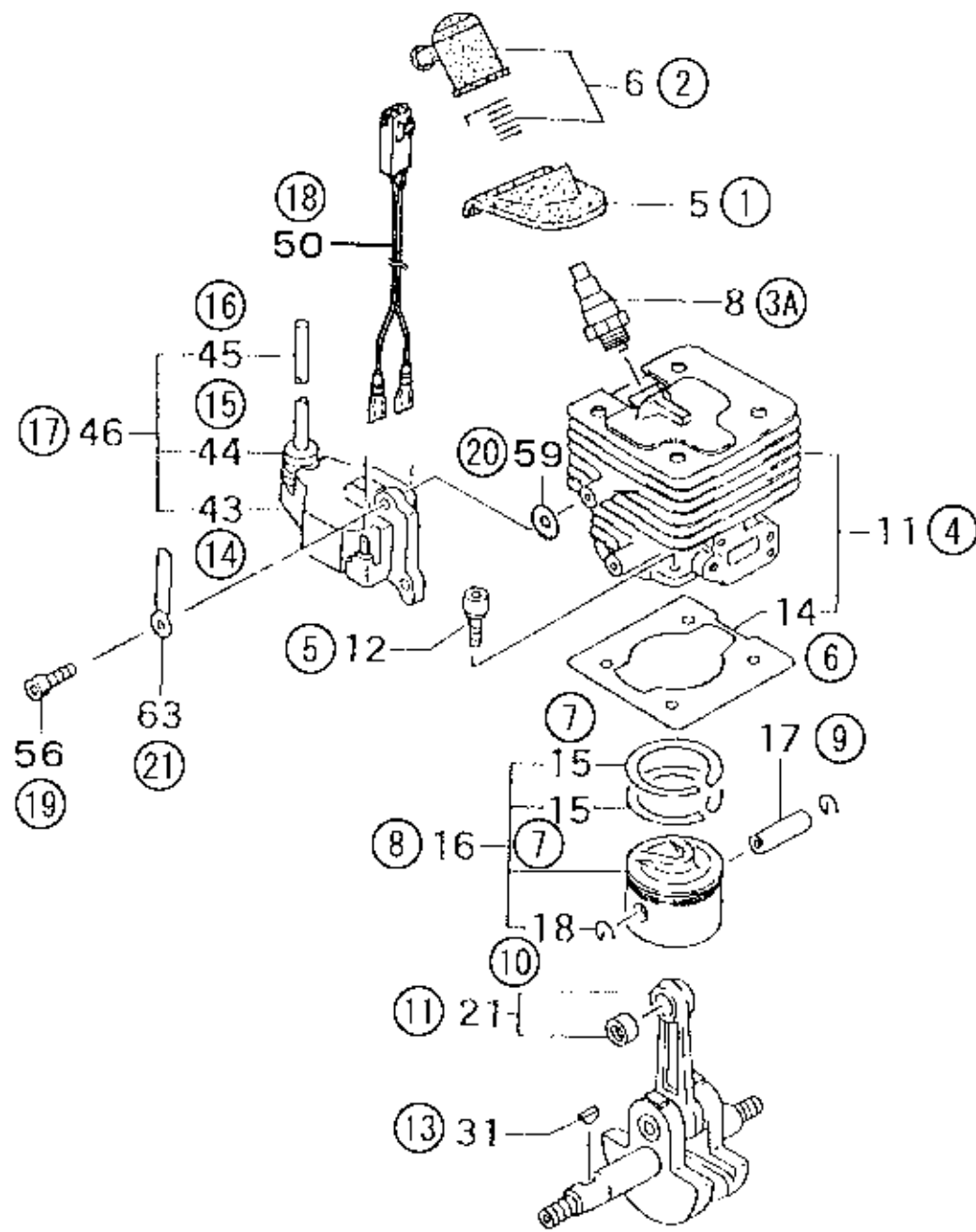
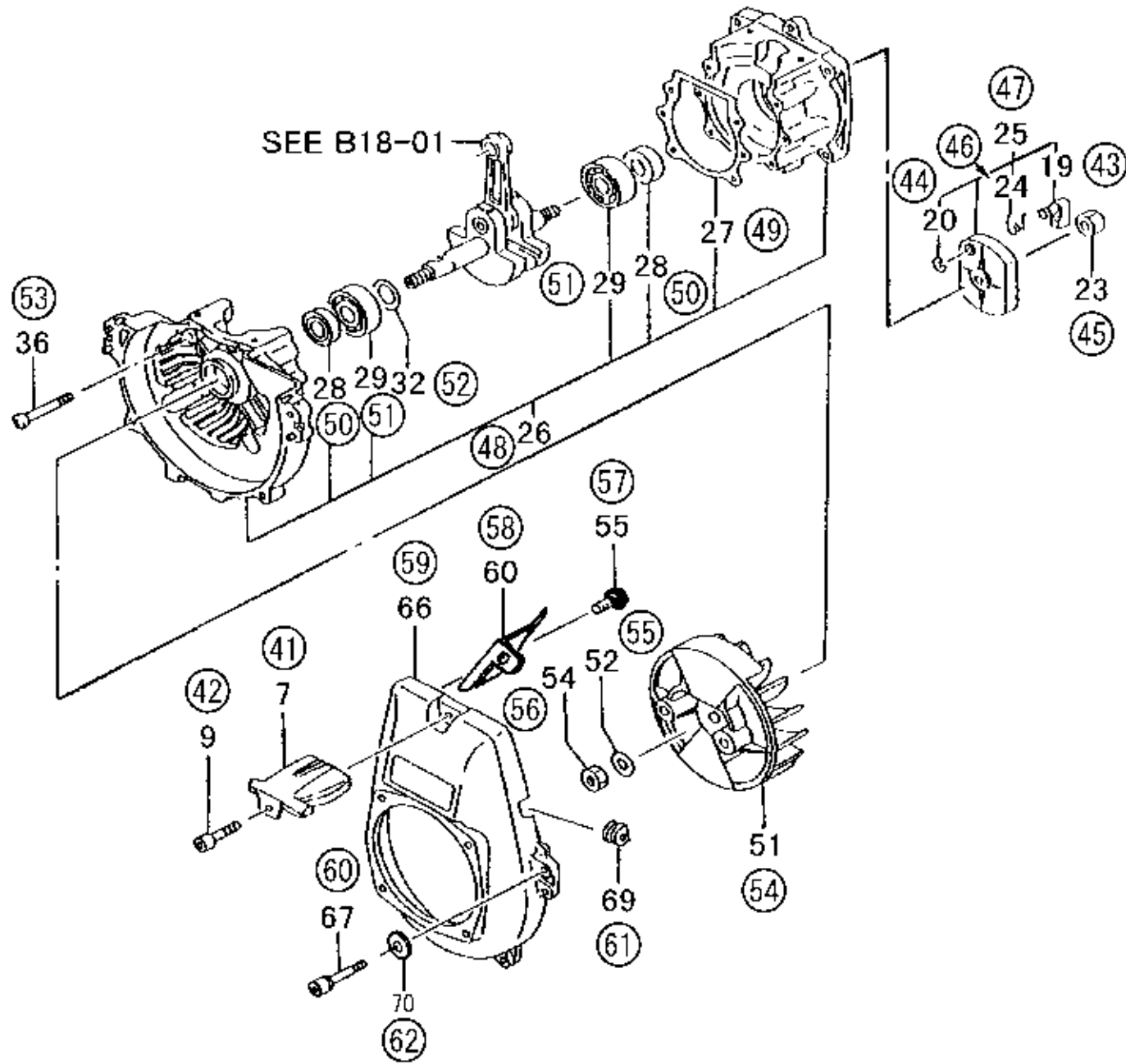


B18-01 CYLINDER/PISTON/CRANK SHAFT



HITACHI NUMBER	REF. NUMBER	PARTS NUMBER	DESCRIPTION	Q'TY	TANAKA PARTS NUMBER
B18-01 CYLINDER/PISTON/CRANK SHAFT					
1	5	668-8336	SPARK PLUG RUBBER COVER	1	255-04200-20
2	6	668-7479	SPARK PLUG CAP ASS'Y	1	157-11666-90
3	8	668-5085	SPARK PLUG BPM6A	1	018-11660-21
4	11	668-5476	CYLINDER SET	1	001-04405-90
4	11	668-5477	CYLINDER SET PN	1	001-04413-90
5	12	668-4668	HEX.HOLE BOLT M5X20/S	4	994-61050-204
6	14	668-5741	CYLINDER GASKET	1	017-04400-20
7	15	668-6123	PISTON RING	2	041-04050-20
8	16	668-5889	PISTON SET	1	030-04400-90
8	16	668-5888	PISTON SET	1	030-0423Z-90
9	17	668-6007	PISTON PIN 10X30	1	037-01000-20
10	18	668-6032	PISTON PIN CIRCLIP	2	039-05004-20
11	21	668-6192	CRANK SHAFT COMP.	1	046-04400-80
13	31	668-6457	WOOD-RUFF KEY 3X13X5	1	068-02000-20
14	43	668-7655	IGNITION COIL COMP.	1	167-20543-80
15	44	668-4602	RUBBER CAP	1	560-20517-20
16	45	668-7885	HIGHT TENSION CORD	1	178-20543-22
17	46	668-7657	IGNITION COIL ASS'Y	1	167-20543-91
18	50	668-7924	STOP CORD, B 220M	2	179-00070-80
19	56	669-5406	SCREW 4X18/WS	2	994-16040-183
20	59	668-4600	WASHER	2	182-0186A-20
21	63	668-8011	CORD CLAMP COMP.	1	198-11600-80

B18-02 CRANK CASE

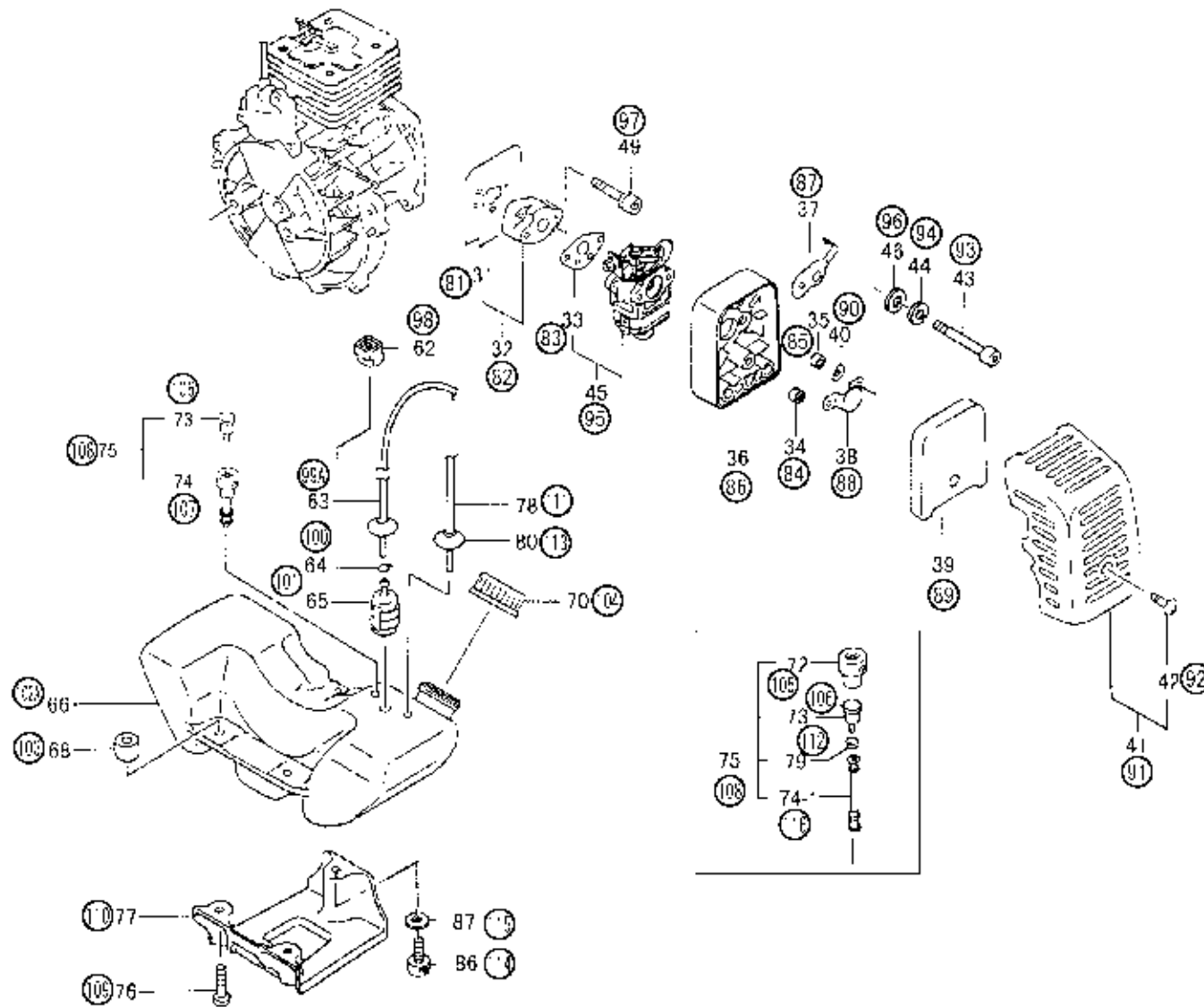


HITACHI NUMBER	REF. NUMBER	PARTS NUMBER	DESCRIPTION	Q'TY	TANAKA PARTS NUMBER
B18-02 CRANK CASE					
41	7	668-8348	PROTECTOR	1	257-04400-20
42	9	668-4634	HEX.HOLE BOLT 5X20/PS	1	994-63050-204
43	19	669-3302	STARTER PAWL	1	788-0162V-20
44	20	668-4683	STOP RING E-5	1	993-55050-000
45	23	669-5139	SMALL NUT 10	1	991-11100-013
46	24	669-3345	STARTER PAWL SPRING	1	790-0162V-20
47	25	669-3395	STARTER PULLEY	1	798-04220-90
48	26	668-6558	CRANK CASE ASS'Y	1	072-04400-90
48	26	668-6559	CRANK CASE ASS'Y	1	072-04400-91
49	27	668-6715	CRANK CASE GASKET	1	090-04400-20
50	28	669-5637	OIL SEAL UD15257	2	999-66152-564
51	29	669-5557	BALL BEARING #6202. 35MM/OD	2	999-61620-200
52	32	668-6470	CRANK SHAFT SHIM 0.10	V	071-02007-21
52	32	668-6471	CRANK SHAFT SHIM 0.15	V	071-02007-22
52	32	668-6472	CRANK SHAFT SHIM 0.20	V	071-02007-23
52	32	668-6473	CRANK SHAFT SHIM 0.30	V	071-02007-24
53	36	668-4786	HEX. SOCKET HD. BOLT M5X30 S	4	994-61050-304
54	51	668-7372	MAGNETO ROTOR COMP.	1	155-20538-80
55	52	669-5198	WASHER 10	1	992-01100-011
56	54	669-5139	SMALL NUT 10	1	991-11100-013
57	55	669-5333	SCREW 5X10/S	1	994-14050-101
58	60	668-7208	AIR DEFLECTOR	1	132-04400-20
59	66	668-6982	FAN CASE	1	112-04400-21
60	67	668-4668	HEX.HOLE BOLT M5X20/S	4	994-61050-204
61	69	668-8057	PRIMARY CORD GROMMET	1	203-11660-20

形 名

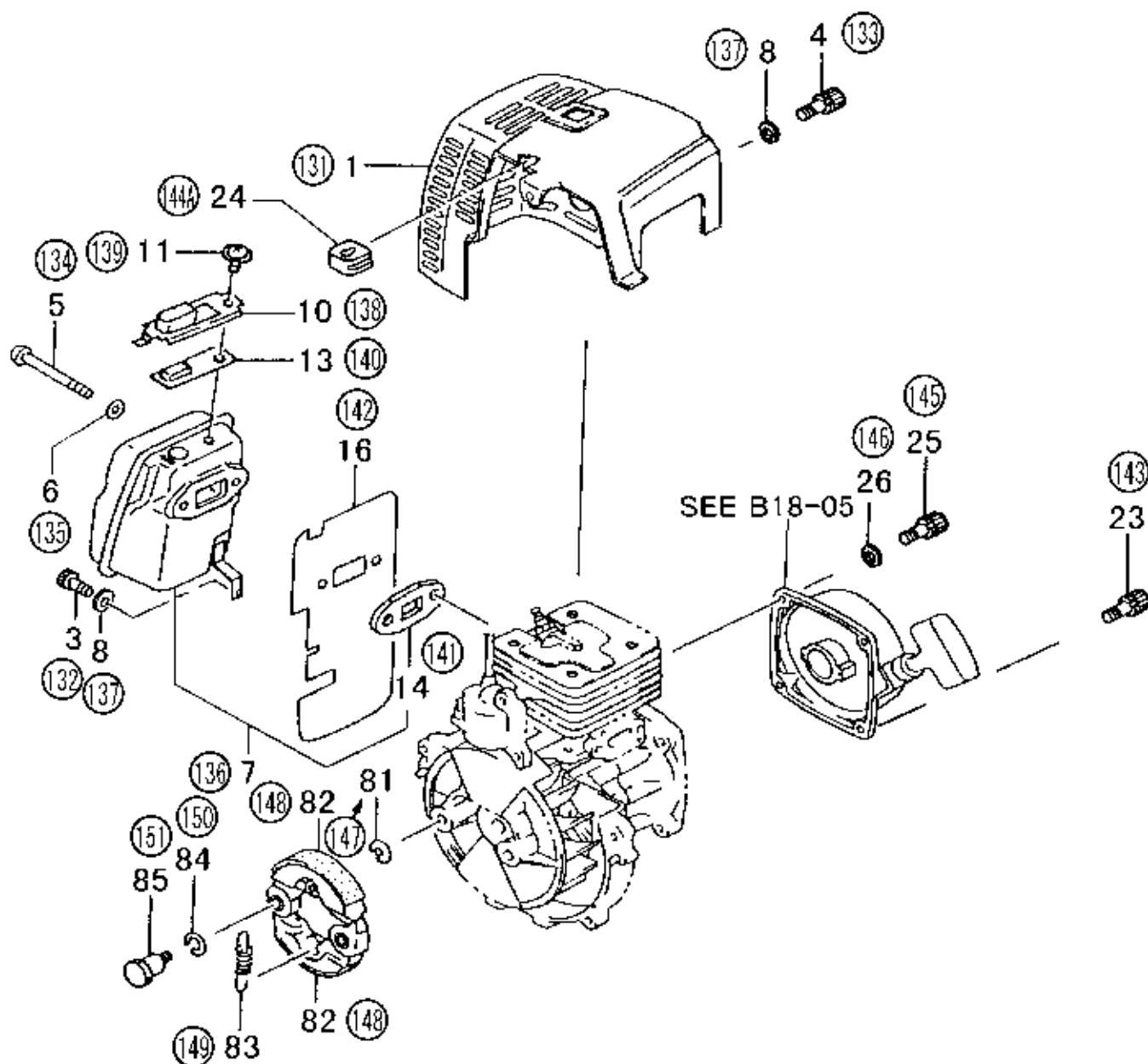
TBC420PF-2

B18-03 ENGINE-1



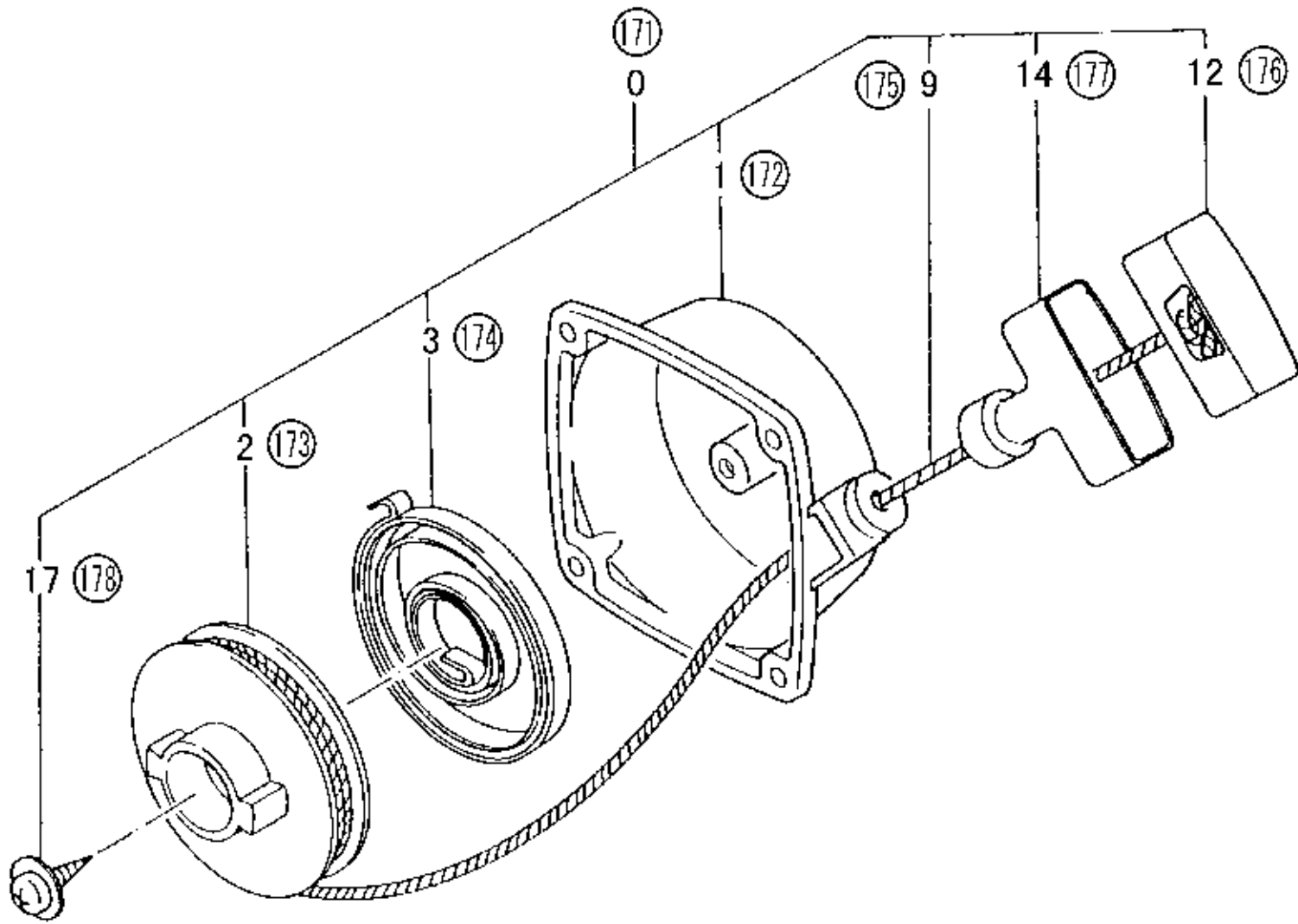
HITACHI NUMBER	REF. NUMBER	PARTS NUMBER	DESCRIPTION	Q'TY	TANAKA PARTS NUMBER
B18-03 ENGINE-1					
81	31	668-9885	INLET MANIFOLD GASKET	1	403-04300-20
82	32	668-9955	CARB.INSULATOR SET. SPARE	1	404-04300-90
83	33	668-9833	CARBURETOR GASKET	1	402-04300-20
84	34	669-0430	COLLAR	1	453-0637C-20
85	35	669-0802	COLLAR	1	470-01380-20
86	36	669-0099	CLEANER BODY COMP.	1	423-01380-82
87	37	669-1258	CHOKE VALVE	1	528-01380-21
88	38	669-0843	BLOW OVER CHECK BOARD	1	476-01700-20
89	39	669-6045	CLEANER SPONGE	1	446-01380-00
89	39	669-0352	CLEANER ELEMENT 6T	2	446-01380-21
90	40	668-4658	WAVE WASHER 8	1	992-04080-031
91	41	669-0397	CLEANER COVER ASS'Y	1	452-01380-91
92	42	668-9737	SPECIAL SCREW	1	380-0637C-20
93	43	668-4660	SCREW M5X60	2	990-11050-602
94	44	668-4662	S.WASHER 5	2	992-10050-012
95	45	669-0476	CARBURETOR SET, PN	1	455-04400-90
96	46	669-3248	STARTER PAWL WASHER	2	786-00601-20
97	49	669-5425	HEX. HOLE BOLT 5X25WS	2	994-16050-253
98	62	669-2182	TANK FIXING COLLAR	1	649-01680-20
99	63	668-4618	FUEL PIPE	1	223-0097A-90
100	64	668-4619	CLIP,6.3 DIA.	1	680-00731-20
101	65	669-2273	PUMP FILTER BODY ASS'Y	1	675-01630-90
102	66	669-1536	TANK	1	591-04400-22
102	66	669-1537	TANK(EVAPO)	1	591-0440F-20
103	68	668-4623	COLLAR C	3	659-04300-20
104	70	669-1768	TANK CAP ASS'Y. BLACK	1	595-0656B-90
105	72	669-1369	AIR VENT RUBBER CAP	1	561-00070-20
106	73	669-2171	AIR VENT VALVE ASS'Y	1	646-06612-90
107	74	669-1395	AIR VENT PIPE	1	565-04410-20
108	75	669-1389	AIR VENT ASS'Y	1	564-06611-90
109	76	668-4634	HEX.HOLE BOLT 5X20/PS	3	994-63050-204
109	76	668-4634	HEX.HOLE BOLT 5X20/PS	2	994-63050-204
110	77	669-4785	ENGINE BED	1	940-04300-20
111	78	668-4880	FUEL PIPE 3X5X80	1	700-03005-08
112	79	669-2305	CLIP 5.5	1	680-00206-20
113	80	668-8156	FUEL PIPE GROMMET	1	222-06300-20
114	86	668-4786	HEX. SOCKET HD. BOLT M5X30 S	1	994-61050-304
115	87	668-4918	WASHER M5	1	992-01050-061
116	74-1	669-1394	AIR VENT PIPE	1	565-04400-21

B18-04 ENGINE-2



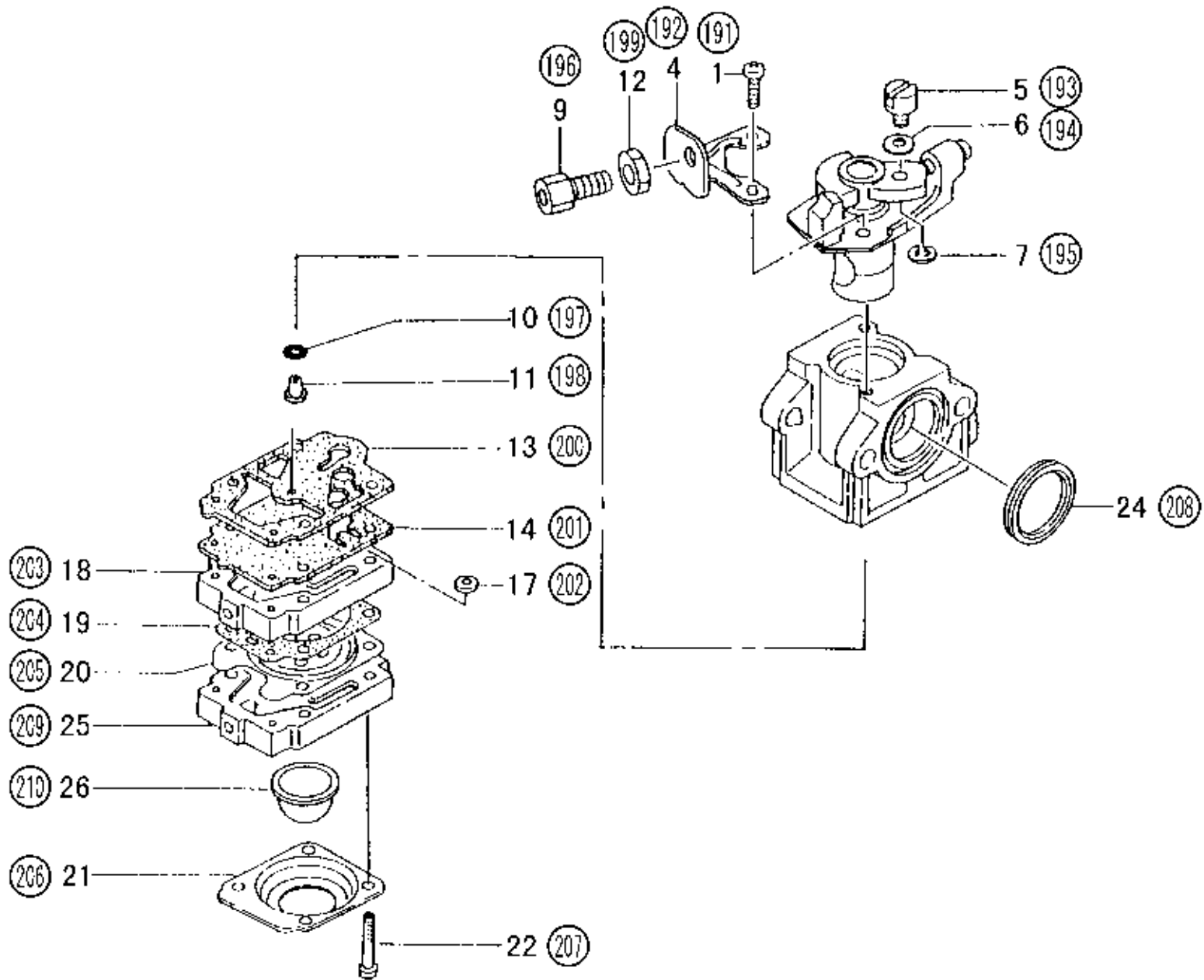
HITACHI NUMBER	REF. NUMBER	PARTS NUMBER	DESCRIPTION	Q'TY	TANAKA PARTS NUMBER
B18-04 ENGINE-2					
131	1	669-2783	MUFFLER PROTECTOR	1	738-0440A-21
132	3	668-4667	HEX.HOLE BOLT M5X12/S	1	994-61050-124
133	4	668-4903	HEX.HOLE BOLT M5X16/S	1	994-61050-164
134	5	669-5067	HEX.HOLE BOLT 6X65	2	990-51060-653
135	6	668-4639	WASHER 6	2	992-01060-011
136	7	669-2472	MUFFLER SET, PN	1	704-04400-90
137	8	668-4918	WASHER M5	2	992-01050-061
138	10	669-2652	TAIL PIPE	1	721-04400-20
139	11	668-5109	MACHINE SCREW (W/SP. WASHER) M4X8	1	994-34040-081
140	13	669-2696	MUFFLER ARRESTOR	1	732-04400-20
141	14	669-2741	MUFFLER GASKET	1	737-04230-20
142	16	668-7246	HEAT SHIELD	1	133-04400-21
143	23	668-4634	HEX.HOLE BOLT 5X20/PS	4	994-63050-204
143	23	668-4634	HEX.HOLE BOLT 5X20/PS	2	994-63050-204
144	24	668-8055	PRIMARY CORD GROMMET	1	203-10000-20
145	25	668-4709	HEX.HOLE BOLT M5X25/S	2	994-61050-254
146	26	668-4918	WASHER M5	2	992-01050-061
147	81	668-9645	CLUTCH WASHER B	2	359-10112-20
148	82	668-8614	CLUTCH ARM COMP.	2	290-04200-81
149	83	668-9428	CLUTCH SPRING	1	342-04200-21
150	84	669-5203	WAVE WASHER 10	2	992-04100-030
151	85	668-9632	CLUTCH STEP BOLT	2	357-04201-20

B18-05 RECOIL STARTER



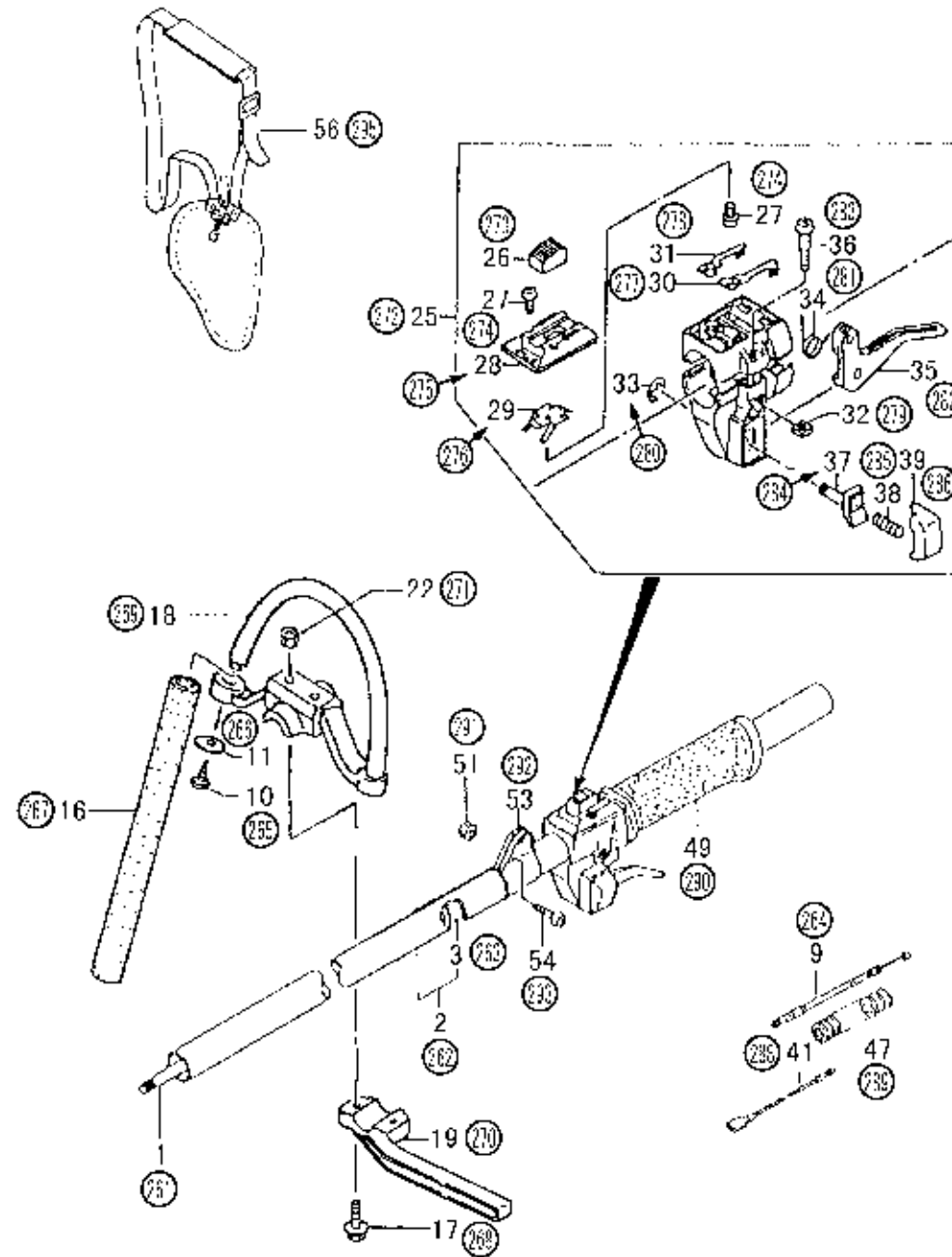
HITACHI NUMBER	REF. NUMBER	PARTS NUMBER	DESCRIPTION	Q'TY	TANAKA PARTS NUMBER
B18-05 RECOIL STARTER					
171	0	669-2970	RECOIL STARTER BODY ASS'Y	1	762-04220-90
172	1	669-3025	RECOIL STARTER BODY COMP.	1	772-04220-80
173	2	669-3007	STARTER ROPE REEL	1	769-04220-20
174	3	669-3114	RECOIL SPRING	1	779-04220-20
175	9	669-3165	STARTER ROPE	1	783-04270-20
176	12	669-3607	STARTER HANDLE CAP	1	835-04220-20
177	14	669-3232	STARTER HANDLE	1	785-04220-20
178	17	669-3634	SET SCREW	1	839-04220-20

B18-06 CARBURETOR



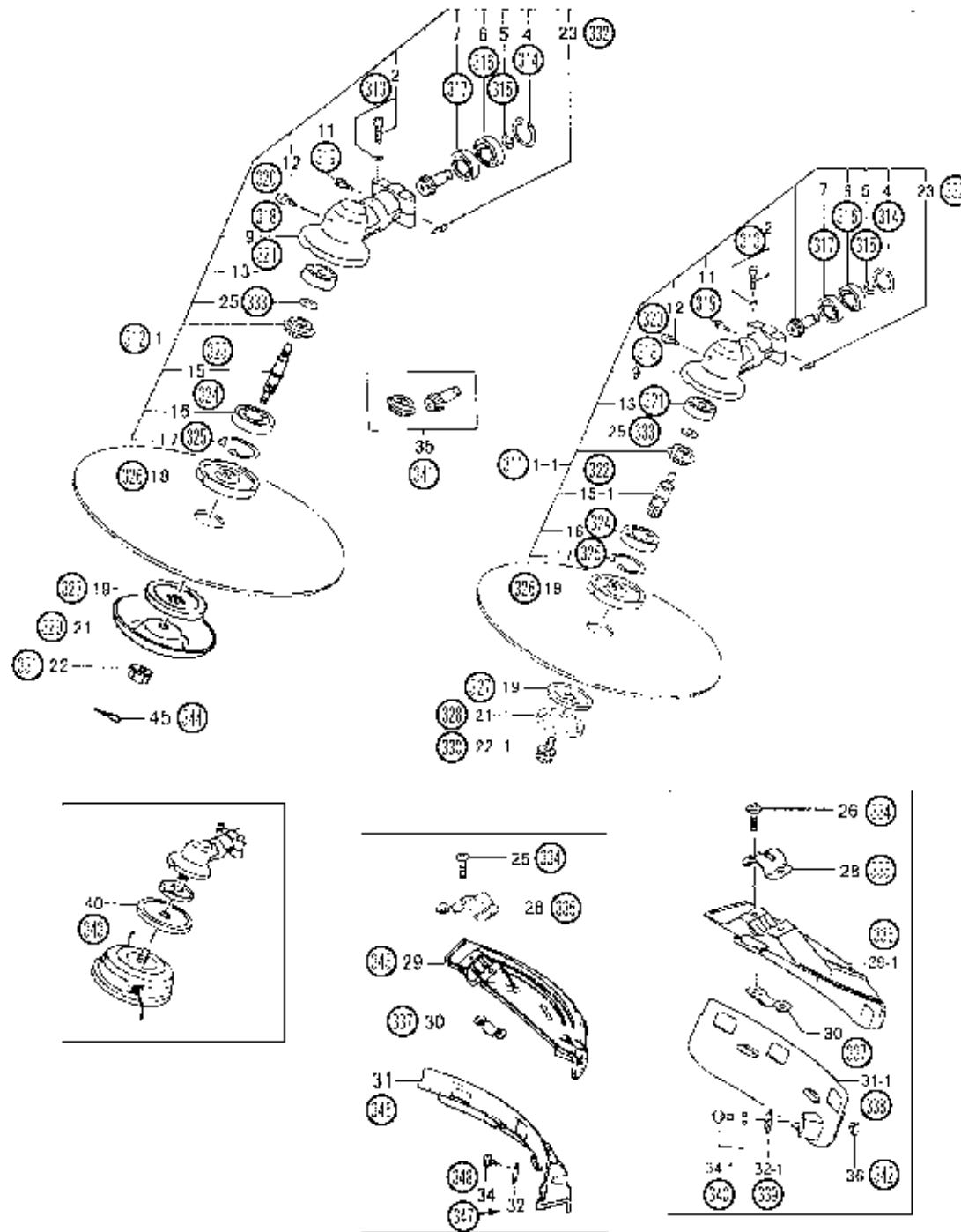
HITACHI NUMBER	REF. NUMBER	PARTS NUMBER	DESCRIPTION	Q'TY	TANAKA PARTS NUMBER
B18-06 CARBURETOR					
191	1	668-4870	THROTTLE SET SCREW	2	514-25100-20
192	4	668-4873	CABLE ADJUSTER STAY	1	544-25164-20
193	5	668-4697	SWIVEL	1	539-25120-20
194	6	668-4874	THRUST WASHER	1	549-25165-20
195	7	668-4696	STOP RING	1	489-25100-20
196	9	668-4871	CABLE ADJUSTER	1	614-25137-20
197	10	668-4695	O-RING	1	550-25100-20
198	11	669-6131	MAIN JET #44.5	1	599-200BW-44
199	12	668-4872	LOCK NUT M6	1	991-01060-013
200	13	669-1457	PUMP GASKET	1	577-25100-20
201	14	668-4693	PUMP DIAPHRAGM	1	576-25100-20
202	17	668-4700	INLET SCREEN	1	578-25007-20
203	18	668-4879	PUMP BODY COMP.	1	575-25153-80
204	19	668-4691	DIAPHRAGM GASKET	1	475-25153-20
205	20	669-0827	METERING DIAPHRAGM COMP. #	1	474-25001-80
206	21	668-4688	DIAPHRAGM COVER	1	476-25151-20
207	22	668-4699	SET SCREW	4	548-25151-20
208	24	668-4875	CLEANER PACKING	1	431-0634C-20
209	25	668-4687	PRIMING PUMP COMP.	1	442-25151-80
210	26	668-4689	PRIMING BODY	1	447-25108-20

B18-08 THROTTLE LEVER/HANDLE



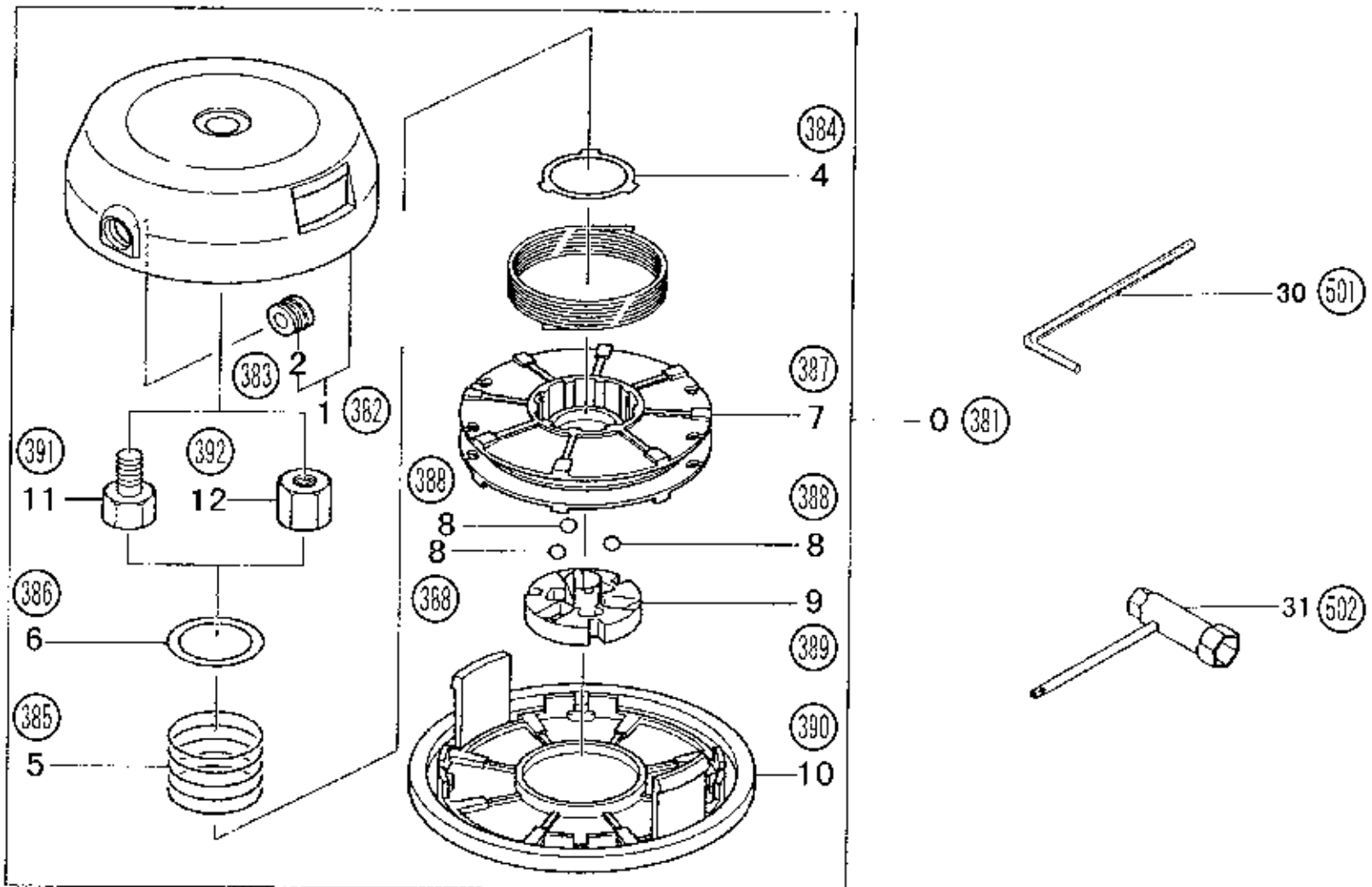
HITACHI NUMBER	REF. NUMBER	PARTS NUMBER	DESCRIPTION	Q'TY	TANAKA PARTS NUMBER
B18-08 THROTTLE LEVER/HANDLE					
261	1	668-9471	DRIVE SHAFT	1	343-37850-20
262	2	668-9400	DRIVE SHAFT COMP.	1	341-37850-80
262	2	668-9400	DRIVE SHAFT COMP.	1	341-37850-80
263	3	668-9522	BUSH ASS'Y, 8 DIA.	5	347-37850-90
264	9	669-3952	THROTTLE WIRE COMP.	1	885-37134-80
265	10	669-5255	TAPPING SCREW 5X20	1	993-11052-012
266	11	668-9681	BRAKE SHAFT WASHER	1	368-32350-20
267	16	669-1098	HANDLE GRIP	1	503-3738E-20
268	17	668-4838	BOLT 6X43/P (BLACK)	2	994-23060-432
269	18	669-1049	LOOP HANDLE, 26DIA., BLACK	1	500-3738E-20
270	19	669-1231	BARRIER, 26 DIA, BLACK	1	520-33398-20
271	22	668-4835	HEX.NUT 6	2	991-01060-041
272	25	669-3739	THROTTLE LEVER ASS'Y 26MM	1	870-3738F-90
273	26	668-7515	STOP SWITCH	1	162-37101-20
274	27	669-5274	TAPPING SCREW 3X8	3	993-42030-081
275	28	668-8374	STOP SWITCH BASE	1	259-37101-20
276	29	668-8385	STOP SWITCH SPRING	1	262-37101-20
277	30	668-7805	EARTH TERMINAL B	1	177-37101-20
278	31	668-7801	EARTH TERMINAL A	1	176-37101-20
279	32	668-5000	SPECIAL NUT M5	2	315-33340-20
280	33	669-5311	STOP RING E-6	1	993-55060-001
281	34	669-3601	RETURN SPRING	1	832-37101-20
282	35	669-3804	THROTTLE ARM	1	880-37286-20
283	36	669-5453	SCREW 5X20	2	994-31050-201
284	37	669-3653	LOCK BUTTON SHAFT	1	853-37101-20
285	38	669-4834	LOCK BUTTON SPRING	1	958-37101-20
286	39	669-4829	LOCK BUTTON	1	956-37101-20
288	41	668-7915	STOP CORD, B430M	2	178-37394-80
289	47	668-7531	SPLIT PROTECTION TUBE 7X210L	1	164-07021-01
290	49	669-1110	SHAFT GRIP	1	504-37003-20
291	51	668-4965	NUT M5	1	991-01050-011
292	53	668-9264	LIFTING METAL	1	335-33410-20
293	54	668-4903	HEX.HOLE BOLT M5X16/S	1	994-61050-164
295	56	669-2874	SHOULDER BELT ASS'Y	1	746-38253-90

B18-09 GEAR CASE



HITACHI NUMBER	REF. NUMBER	PARTS NUMBER	DESCRIPTION	Q'TY	TANAKA PARTS NUMBER
B18-09 GEAR CASE					
311	1 1	668 8737	GEAR CASE ASS'Y. 26 DIA.	1	300 37134 90
312	1	668-8784	GLAR CASL ASSY, 26 DIA.	1	300-37587-90
313	2	668-4709	HEX.HOLE BOLT M5X25/S	2	994-61050-254
314	4	668 4732	STOP RING C 24,INNER	1	993 51024 002
315	5	669-5281	STOP RING C-9, OUTER	1	993-50009-002
316	6	668-4735	BALL BEARING 609Z ST	1	999-61609-002
317	7	668 4734	BALL BEARING 609	1	999 61609 000
318	9	668-8685	GEAR CASE. SILVER	1	300-3330B-20
319	11	669-5042	HEX. HOLE BOLT 5X10	1	990-51050-103
320	12	669 5437	PLUS HEAD BOLT 8X10	1	994 23080 100
321	13	669-5569	BALL BEARING 628 ST	1	999-61628-000
322	15-1	668-8932	GLAR SHAFT 1	1	304-37134-20
323	15	668 8945	GEAR SHAFT	1	304 38100 20
324	16	669-5554	BALL BEARING 6201D, 32MM/OD	1	999-61620-103
325	17	669-5295	STOP RING C-32, INNLK	1	993-51032-002
326	18	668 9031	CUTTER HOLDER, 12X10X1	1	310 38100 20
327	19	668-9050	CUTTER HOLDER CAP. 12X10X1	1	311-37850-20
328	21-1	668-9108	BOLT PROTECTION COVER	1	316-33410-20
329	21	668-8994	PROTECTION COVER B	1	308-37861-20
330	22-1	668-9062	FIXING BOLT, L.H.	1	312-33386-20
331	22	668-9072	CUTLER FIXING NUT, L/H	1	313-38100-20
332	23	668-9159	GEAR CASE WASHER	1	324-37350-20
333	25	668-6453	SPECIAL WASHER 1.0	1	067-37134-20
334	26	668-4714	HEX.HOLE BUTTON SCREW 6X25S	2	994-81060-254
335	28	669-0315	COVER BRACKET 26	1	442-38331-20
336	29 1	669 0270	GUARD, CE	1	441 38100 20
336	29-1	669-0242	GUARD 26 CL	1	441-37380-21
337	30	668-4748	COVER GUARD HOLDER	1	445-37380-20
338	31 1	669 0375	COVER GUARD	1	447 38100 20
338	31-1	669-0372	COVER GUARD	1	447-37380-20
339	32-1	669-3386	KNIFE	1	797-37380-21
340	34 1	669 5334	SCREW 5X12/S	1	994 14050 121
341	35	668-8868	GEAR-PINION SFT, SPARE	1	301-37134-00
342	36	668-4965	NUT M5	1	991-01050-011
343	40	668 8986	WINDING PROTECTOR COVER	1	307 38100 20
344	45	668-9168	SPLIT PIN SFT(10 PCS/PACK)	1	327-37180-90
345	29	669-0276	GUARD 26 CE	1	441-38331-20
346	31	669 0376	BLADE GUARD	1	447 38331 20
347	32	668-4750	KNIFE	1	797-37714-20
348	34	668-4751	TAPPING SCREW 4X14	1	993-48040-142

B18-10 NYLON HEAD/TOOLS



HITACHI NUMBER	REF. NUMBER	PARTS NUMBER	DESCRIPTION	Q'TY	TANAKA PARTS NUMBER
B18-10 NYLON HEAD/TOOLS					
381	0	669-7146	NYLON HEAD TH97L	1	783-33840-91
381	0	669-3217	NYLON HEAD TH97LM	1	783-33842-91
382	1	669-3271	CUTTING BODY ASS'Y	1	786-33840-90
383	2	669-3328	EYELET	2	788-33670-21
384	4	669-3247	ADJUSTMENT BASE	1	785-33840-20
385	5	669-3377	SPRING (SILVER)	1	793-33910-20
386	6	669-3362	ADJUSTMENT WASHER	1	792-33004-20
387	7	669-3292	CORD REEL BK	1	787-33840-21
388	8	669-2271	STEEL BALL	3	673-35600-20
389	9	669-3358	REEL SLIDER	1	790-33810-20
390	10	669-3338	CUTTING BODY CAP	1	789-33840-20
391	11	668-9081	MOUNTING BOLT, L-M8X1.25	1	314-33670-20
392	12	668-9098	MOUNTING NUT, L-M10X1.25	1	315-33970-20
501	30	668-4813	HEX. BAR WRENCH 4MM	1	813-20000-20
502	31	668-4764	BOX WRENCH (HEX. SOCKET 17/19)	1	826-20000-80