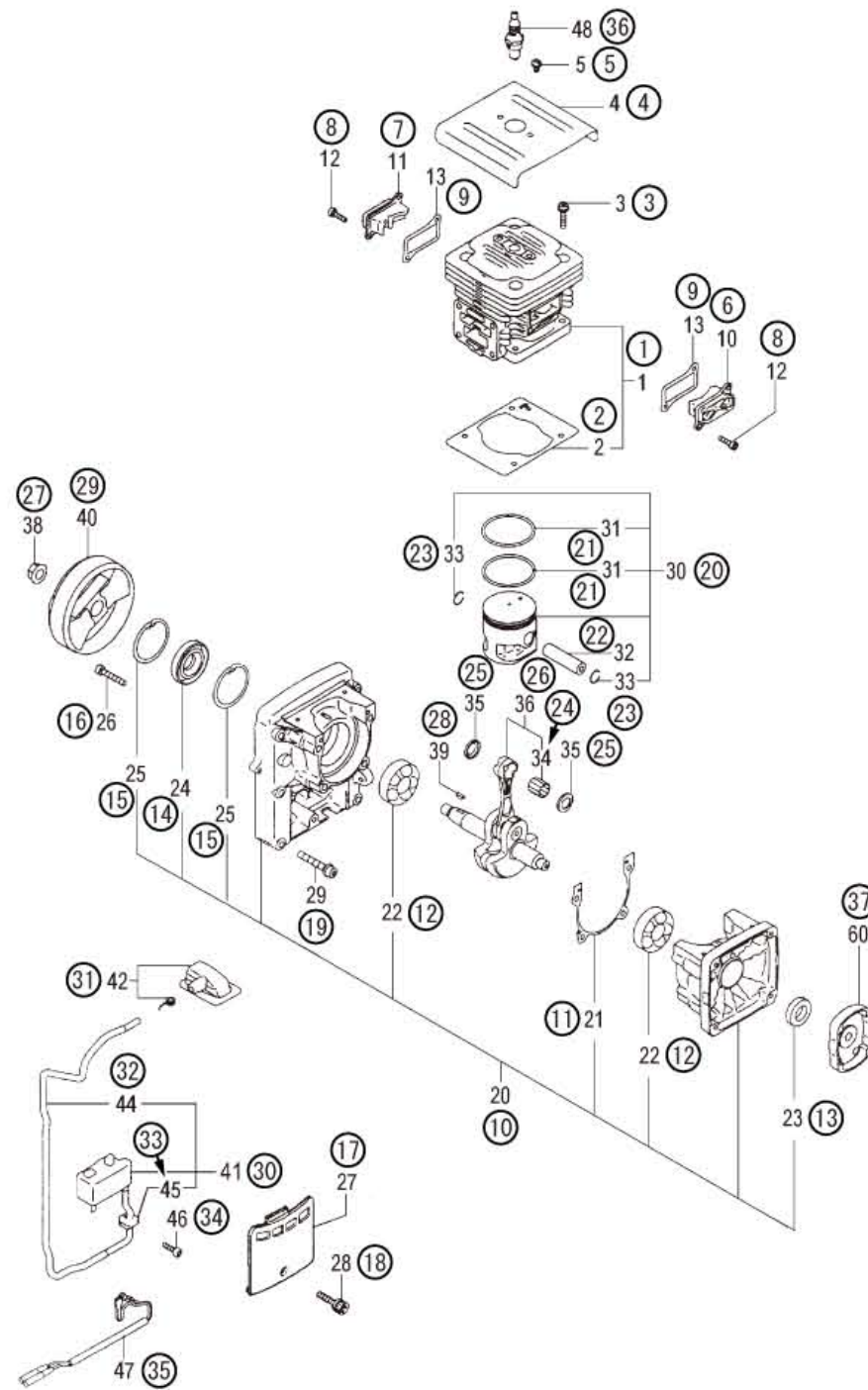


S40-01 CYLINDER/PISTON/CRANK CASE

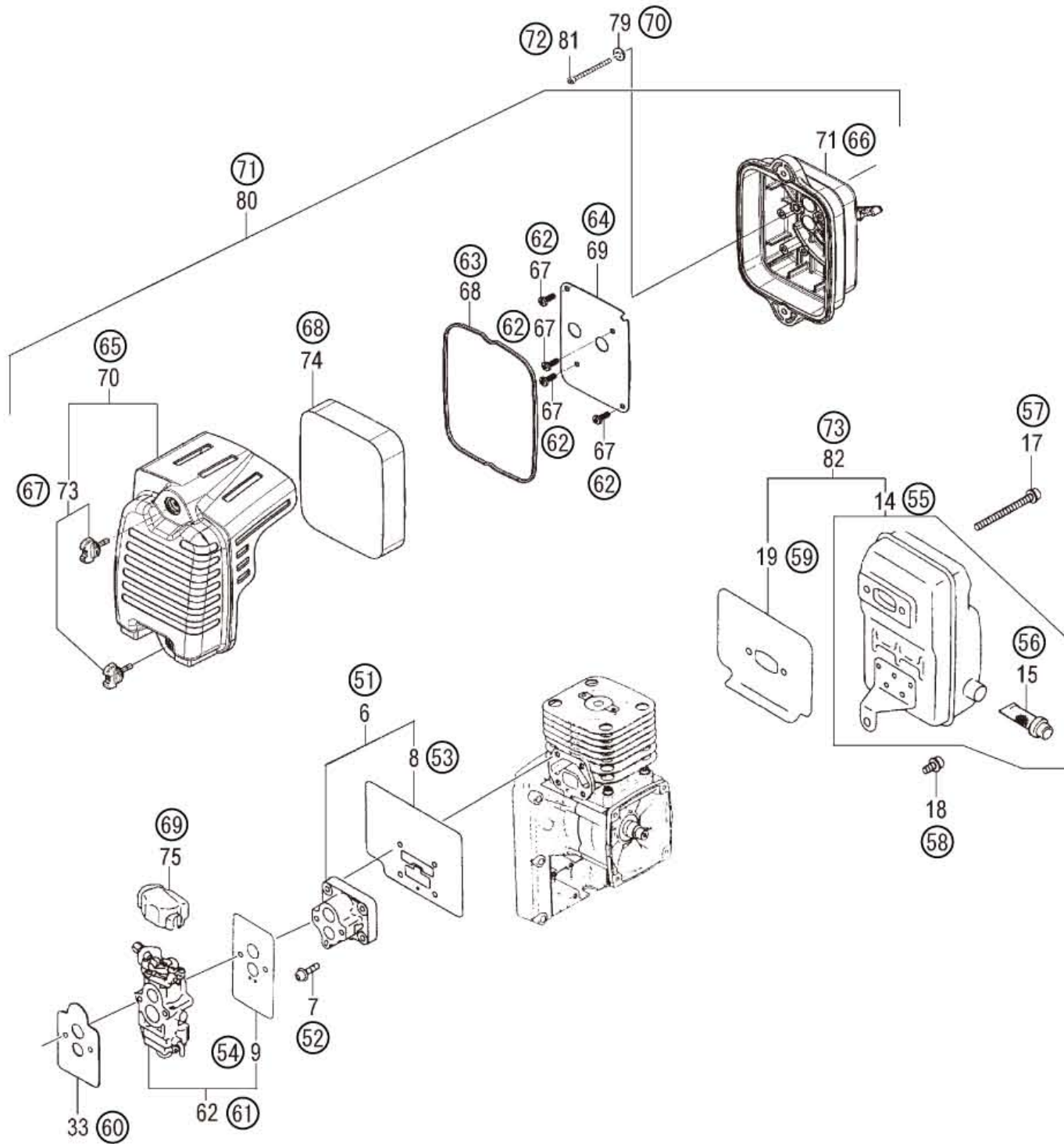


HITACHI NUMBER	REF. NUMBER	PARTS NUMBER	DESCRIPTION	Q'TY	TANAKA PARTS NUMBER
S40-01 CYLINDER/PISTON/CRANK SHAFT					
1	1	668-5500	CYLINDER SET	1	001-16005-90
2	2	668-5757	CYLINDER GASKET	1	017-16005-20
3	3	668-5846	CYLINDER BOLT 5X22	4	026-16005-20
4	4	668-5699	CYLINDER COVER	1	016-16005-20
5	5	669-3472	SCREW A 5X8TORX	2	806-31905-20
6	10	668-6257	PORT COVER S	1	050-16005-20
7	11	668-6282	PORT COVER F	1	051-16005-20
8	12	669-3480	SCREW C 4X16TORX	4	808-31905-20
9	13	668-6317	PORT COVER GASKET	2	052-16005-20
10	20	668-6606	CRANK CASE ASS'Y	1	072-16005-90
11	21	668-6730	CRANK CASE GASKET	1	090-16005-20
12	22	669-3429	BALL BEARING 6302C828	2	801-31905-20
13	23	669-5643	OIL SEAL ISCD16278	1	999-66162-775
14	24	669-5645	OIL SEAL ISCD16428	1	999-66164-275
15	25	669-5299	STOP RING C-42, INNER	2	993-51042-002
16	26	669-3500	SCREW E 5X30TORX	4	810-31905-20
17	27	668-7984	COIL COVER	1	195-16005-20
18	28	669-3480	SCREW C 4X16TORX	1	808-31905-20
19	29	669-3507	SCREW F 6X45TORX	6	811-31905-20
20	30	668-5906	PISTON SET	1	030-16005-90
21	31	668-6136	PISTON RING	2	041-16005-20
22	32	668-6022	PISTON PIN	1	037-16005-20
23	33	668-6037	CIRCLIP	2	039-16005-20
24	34	669-3415	NEEDLE BEARING	1	800-31905-20
25	35	668-5996	PISTON PIN COLLAR	2	036-16005-20
26	36	668-6239	CRANK SHAFT COMP.	1	046-16005-80
27	38	668-6446	FLYWHEEL NUT M10	1	066-16005-20
28	39	668-6458	WOOD -RUFF KEY #	1	068-04093-20
29	40	668-7359	MAGNETO ROTOR ASS'Y	1	155-16005-80
30	41	668-7635	IGNITION COIL ASS'Y	1	167-16005-90
31	42	668-7480	SPARK PLUG CAP ASS'Y	1	157-16005-90
32	44	668-8321	TUBE	1	250-16005-20
33	45	668-8042	GROMMET	1	202-16005-20
34	46	669-3480	SCREW C 4X16TORX	2	808-31905-20
35	47	668-7882	STOP CORD COMP.	1	178-16005-80
36	48	668-5783	SPARK PLUG CMR7H	1	018-16005-20
37	60	669-3412	STARTER PULLEY ASS'Y	1	798-16005-90

形 名

TBL7800/R

S40-02 ENGINE SIDE

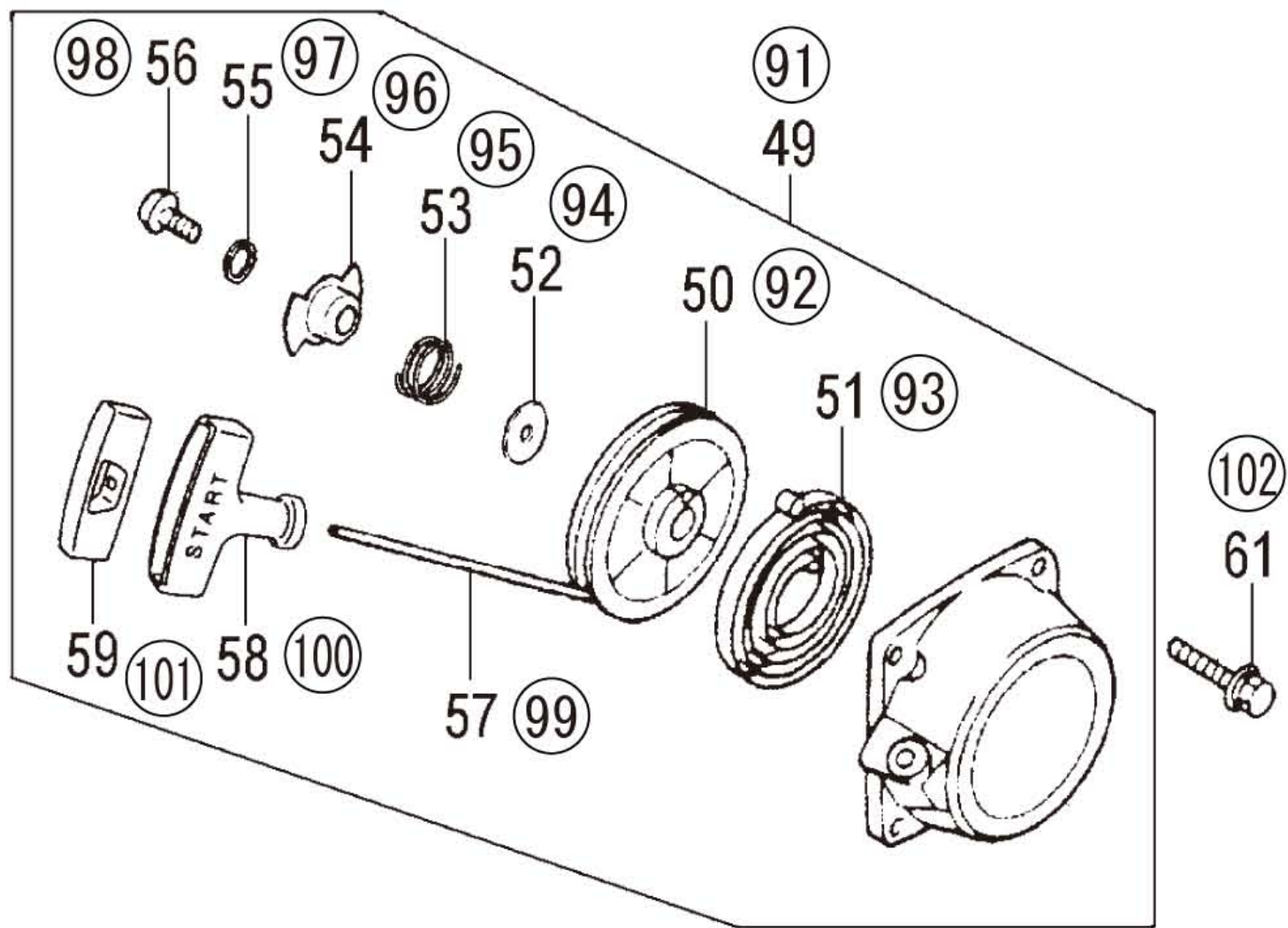


HITACHI NUMBER	REF. NUMBER	PARTS NUMBER	DESCRIPTION	Q'TY	TANAKA PARTS NUMBER
S40-02 ENGINE SIDE					
51	6	668-9985	INSULATOR SET	1	404-16005-90
52	7	669-3475	SCREW B 5X20TORX	4	807-31905-20
53	8	668-9903	INSULATOR GASKET	1	403-16005-20
54	9	668-9849	CARBURETOR GASKET	1	402-16005-20
55	14	669-2538	MUFFLER ASS'Y	1	705-16005-90
56	15	669-2704	SPARK ARRESTER	1	732-16005-80
57	17	669-2882	MUFFLER S,BOLT 6X70TO	2	750-16005-20
58	18	669-3488	SCREW D 6X14TORX	1	809-31905-20
59	19	669-2752	MUFFLER GASKET	1	737-16005-20
60	33	669-0204	CLEANER FIXING PLATE	1	436-16005-20
61	62	669-0526	CARBURETOR SET WYA64	1	455-16005-90
62	67	669-0386	CHOKE BOLT 4X12	4	451-16005-20
63	68	669-0676	CLEANER PACKING	1	457-16005-20
64	69	669-0851	BLOW OVER CHECK BOARD A	1	476-16005-20
65	70	669-0054	CLEANER CAP ASS'Y	1	414-16005-90
66	71	669-0059	CLEANER BODY COMP	1	419-16005-90
	72	669-0876	BLOW OVER CHECK BOARD B	1	478-16005-20
67	73	669-0385	COVER FIXING BOLT	1	450-16005-80
68	74	669-0329	CLEANER ELEMENT A	1	444-16005-20
69	75	668-8034	CARB COVER	1	201-25268-20
70	79	668-4661	WASHER 5	2	992-01050-011
71	80	669-0052	AIR CLEANER ASS'Y	1	410-16005-90
72	81	669-3525	SCREW H 5X62TORX	2	813-31905-20
73	82	669-2505	MUFFLER SET	1	704-16005-90

形 名

TBL7800/R

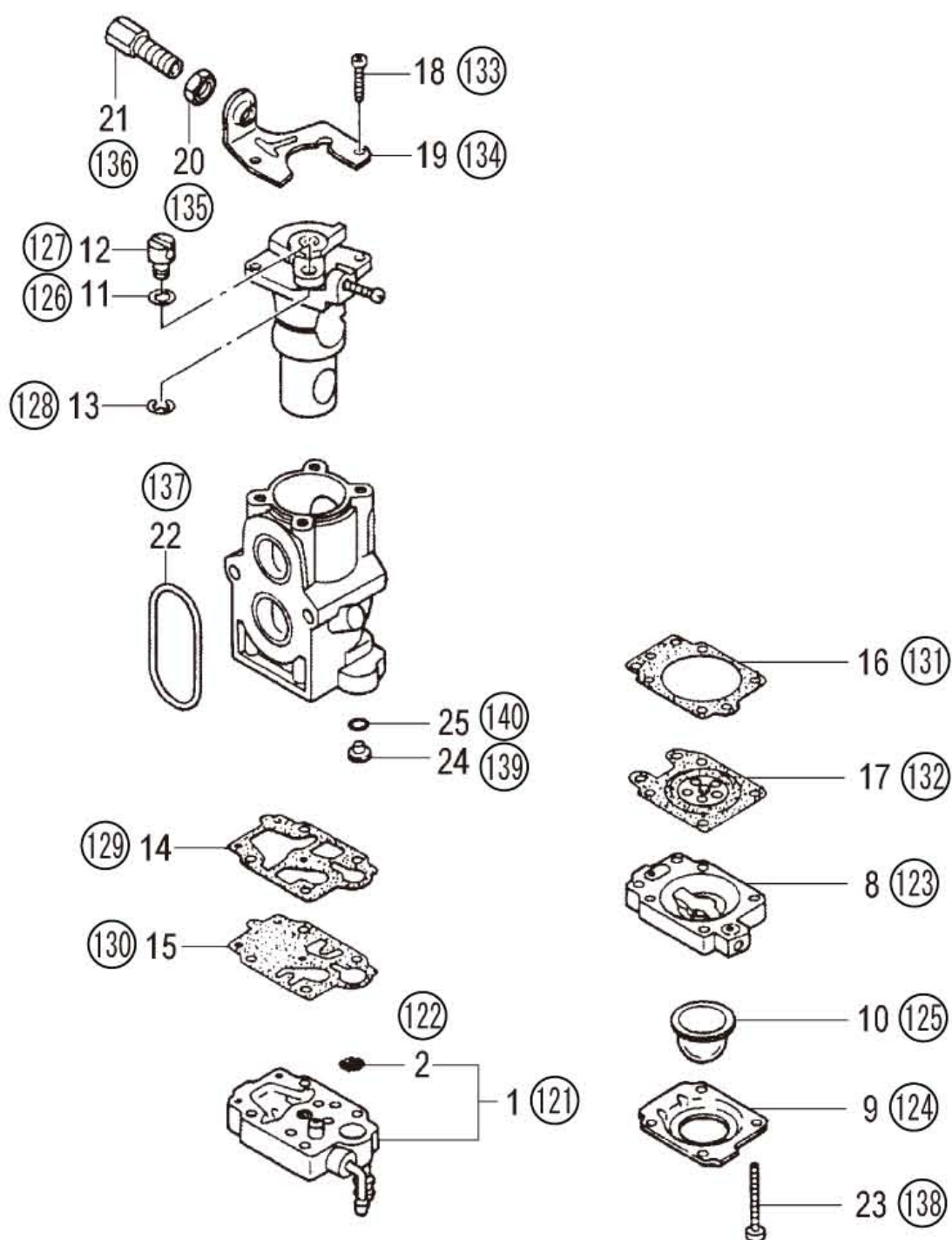
S40-03 RECOIL STARTER



HITACHI NUMBER	REF. NUMBER	PARTS NUMBER	DESCRIPTION	Q'TY	TANAKA PARTS NUMBER
		S40-03 RECOIL STARTER			
91	49	669-2999	RECOIL STARTER BODY ASS'Y	1	762-16005-90
92	50	669-3006	ROPE REEL	1	768-16005-20
93	51	669-3127	RECOIL SPRING	1	779-16005-20
94	52	669-3255	STARTER WASHER	1	786-16005-20
95	53	669-3619	FRICTION SPRING	1	836-16005-20
96	54	669-3631	FRICTION PLATE	1	837-16005-20
97	55	669-3427	WASHER	1	801-16005-20
98	56	669-3640	SET BOLT	1	839-16005-20
99	57	669-3181	ROPE	1	783-16005-20
100	58	669-3245	STARTER HANDLE	1	785-16005-20
101	59	669-3605	STARTER HANDLE CAP	1	833-16005-20
102	61	669-3522	SCREW G 5X16	4	812-31905-20

形 名
TBL7800/R

S40-04 CARBURETOR

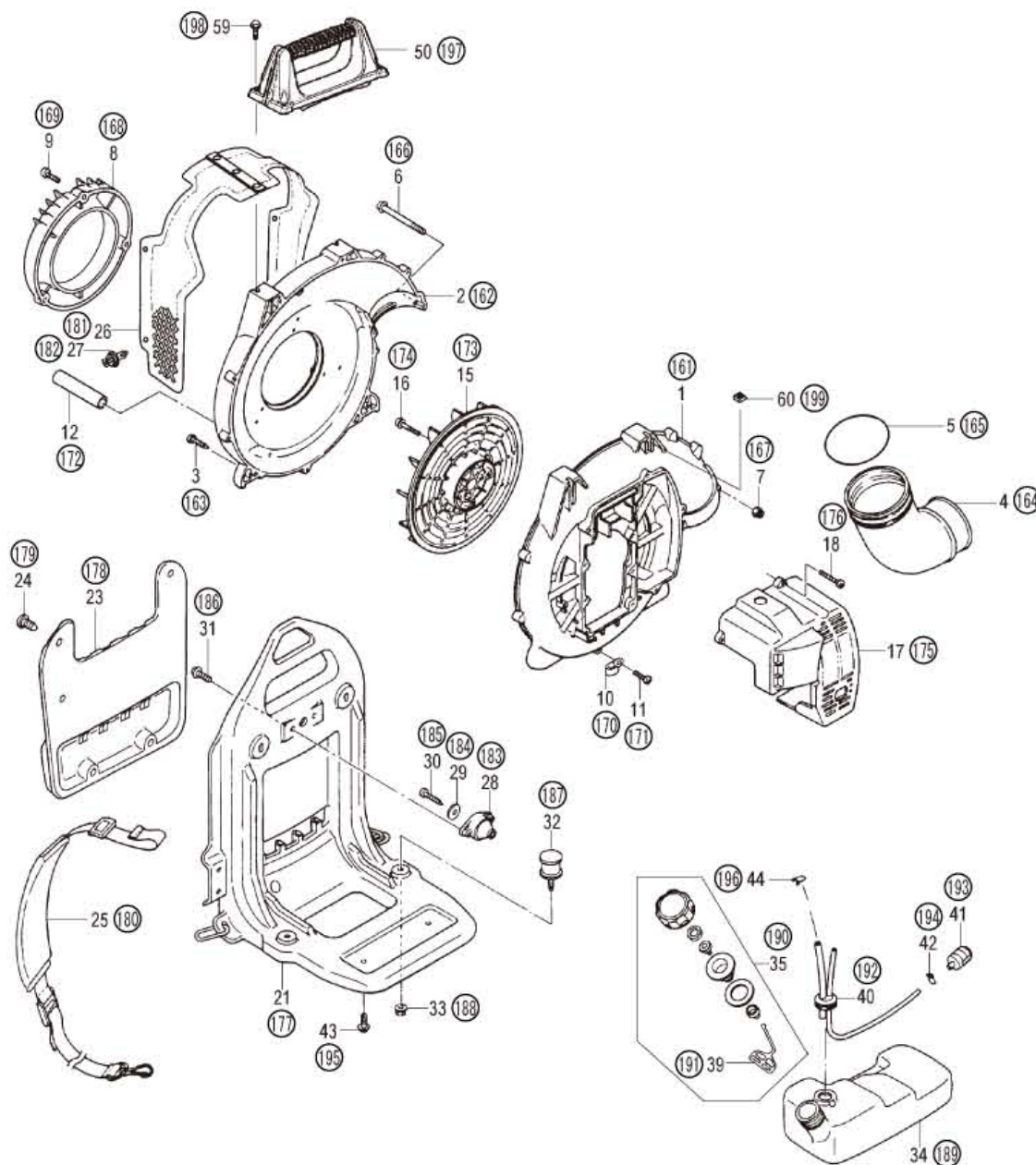


HITACHI NUMBER	REF. NUMBER	PARTS NUMBER	DESCRIPTION	Q'TY	TANAKA PARTS NUMBER
S40-04 CARBURETOR					
121	1	669-1436	PUMP BODY ASS'Y	1	575-25292-90
122	2	668-4700	INLET SCREEN	1	578-25007-20
123	8	668-4687	PRIMING PUMP COMP.	1	442-25151-80
124	9	668-4688	DIAPHRAGM COVER	1	476-25151-20
125	10	668-4689	PRIMING BODY	1	447-25108-20
126	11	668-4874	THRUST WASHER	1	549-25165-20
127	12	668-4697	SWIVEL	1	539-25120-20
128	13	668-4696	STOP RING	1	489-25100-20
129	14	668-4692	PUMP GASKET	1	577-25292-20
130	15	668-4693	PUMP DIAPHRAGM	1	576-25100-20
131	16	668-4691	DIAPHRAGM GASKET	1	475-25153-20
132	17	669-0830	METERING DIAPHRAGM COMP.	1	474-25241-80
133	18	668-4870	THROTTLE SET SCREW	2	514-25100-20
134	19	668-4873	CABLE ADJUSTER STAY	1	544-25164-20
135	20	669-2005	CABLE ADJUST NUT	1	613-25100-20
136	21	668-4871	CABLE ADJUSTER	1	614-25137-20
137	22	669-0186	CLEANER GASKET	1	431-16005-20
138	23	668-4699	SET SCREW	4	548-25151-20
139	24	669-1857	MAIN JET #58	1	599-2000W-58
140	25	668-4695	O-RING	1	550-25100-20

形 名

TBL7800/R

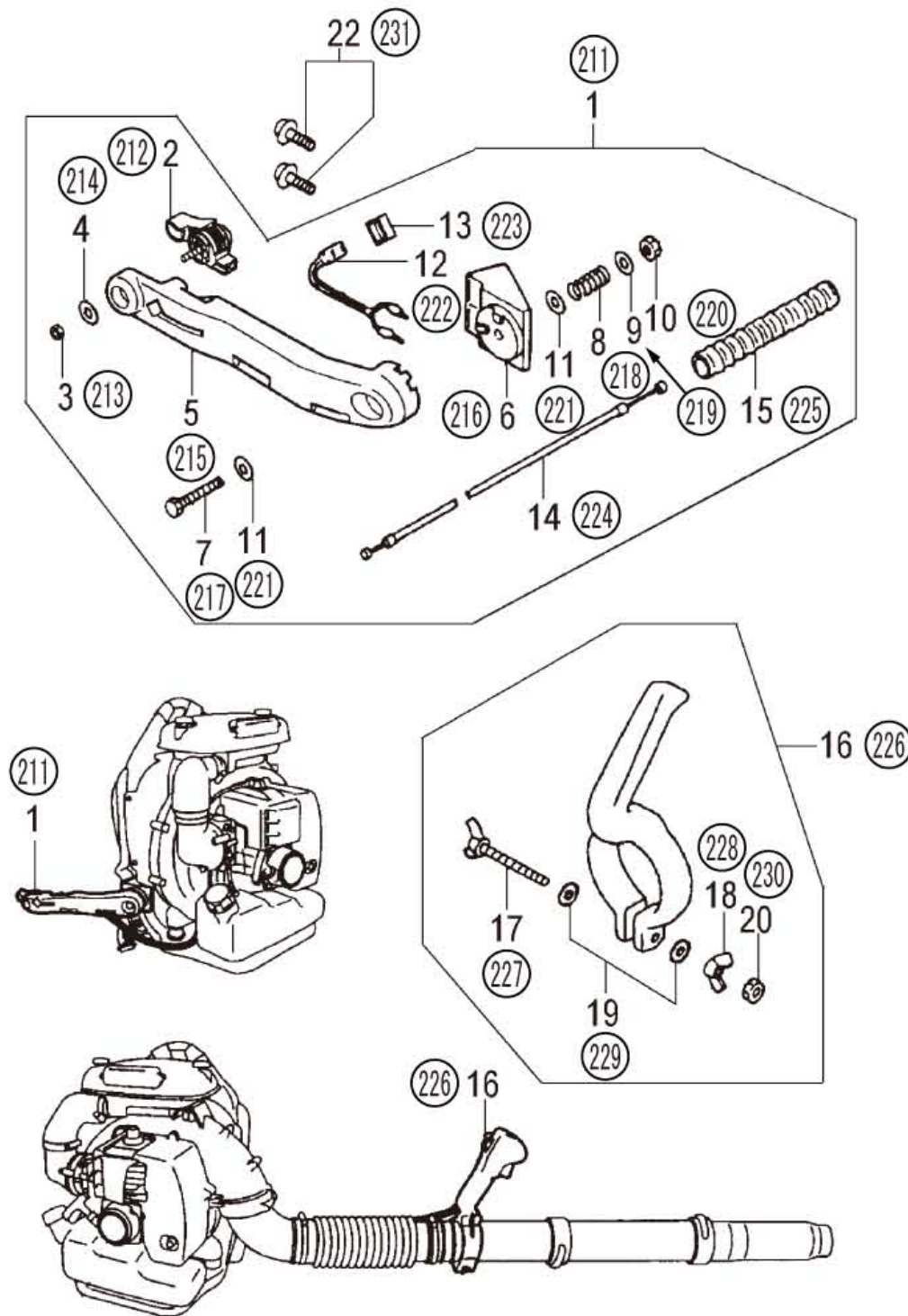
S40-05 FRAME/BLOWER



HITACHI NUMBER	REF. NUMBER	PARTS NUMBER	DESCRIPTION	Q'TY	TANAKA PARTS NUMBER
S40-05 FRAME/BLOWER					
161	1	668-5604	FANCASE E,COMP	1	010-31905-80
162	2	668-5636	FANCASE S COMP.	1	011-31905-80
163	3	669-3532	SCREW I 5X25TORX	9	814-31905-20
164	4	668-8426	ELBOW PIPE	1	270-31905-20
165	5	669-5687	O-RING G-95	1	999-67095-010
166	6	668-7291	FANCASE LONG BOLT	2	137-16005-20
167	7	305-5491	NYLON NUT M5	2	991-78050-010
168	8	668-6342	INTAKE COVER	1	054-31905-80
169	9	669-3532	SCREW I 5X25TORX	3	814-31905-20
170	10	668-8014	CORD CLAMP	1	198-31905-80
171	11	669-3536	SCREW J 5X14TORX	1	815-31905-20
172	12	668-8545	TUBE	1	283-31905-20
173	15	668-7175	FAN	1	127-31905-80
174	16	669-3543	SCREW K 6X35TORX	4	816-31905-20
175	17	669-2825	MUFFLER PROTECTOR	1	738-16005-20
176	18	669-3532	SCREW I 5X25TORX	4	814-31905-20
177	21	668-5805	KNAPSACK FRAME ASS'Y	1	020-31905-90
178	23	668-5814	CUSHION PAD	1	021-31905-20
179	24	668-6243	CUSHION PAD CLIP	6	046-31905-20
180	25	669-6368	SHOULDER BAND	2	022-31905-20
181	26	668-6265	DUST COVER	1	050-31905-80
182	27	668-5843	DUST COVER SCREW	4	025-31905-90
183	28	668-5910	CUSHION RUBBER	1	030-31905-80
184	29	668-5858	WASHER	1	027-31905-20
185	30	669-3549	SCREW L 5X40TORX	1	817-31905-20
186	31	669-3571	SCREW M 5X16TORX	2	825-31905-20
187	32	668-5960	CUSHION RUBBER	2	031-31905-80
188	33	668-5967	FRAME NUT M6	2	032-31905-20
189	34	669-1612	FUEL TANK	1	591-16005-80
190	35	669-1773	TANK CAP ASS'Y	1	595-16005-90
191	39	669-2054	TANK CAP CHAIN	1	626-16005-20
192	40	668-8175	FUEL PIPE ASS'Y	1	223-16005-90
193	41	669-2277	PUMP FILTER BODY ASS'Y #	1	675-04093-90
194	42	669-0174	CLIP B	1	426-32625-20
195	43	669-1980	TANK FIXING BOLT 5X12TROX	2	606-31905-20
196	44	669-2321	CLIP	1	680-31905-20
197	50	669-1471	CARRYING HANDLE	1	590-31905-20
198	59	669-3576	SCREW N 5X20TORX	4	826-31905-20
199	60	668-8542	HANDLE NUT M5	4	282-31905-20

形 名
TBL7800/R

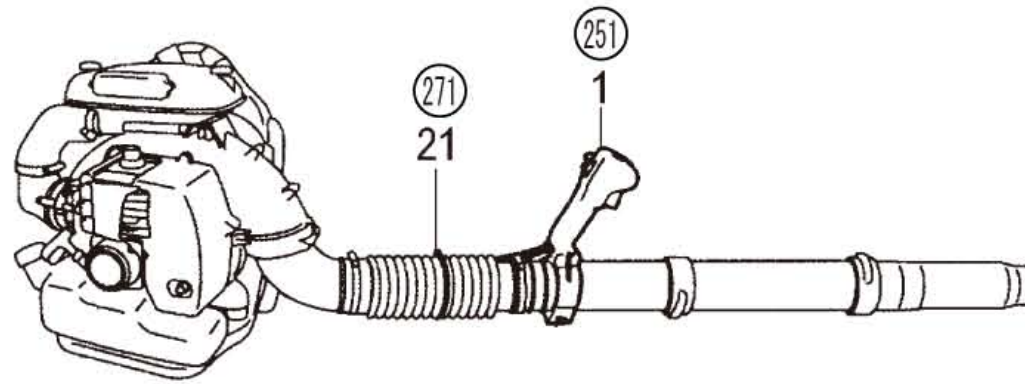
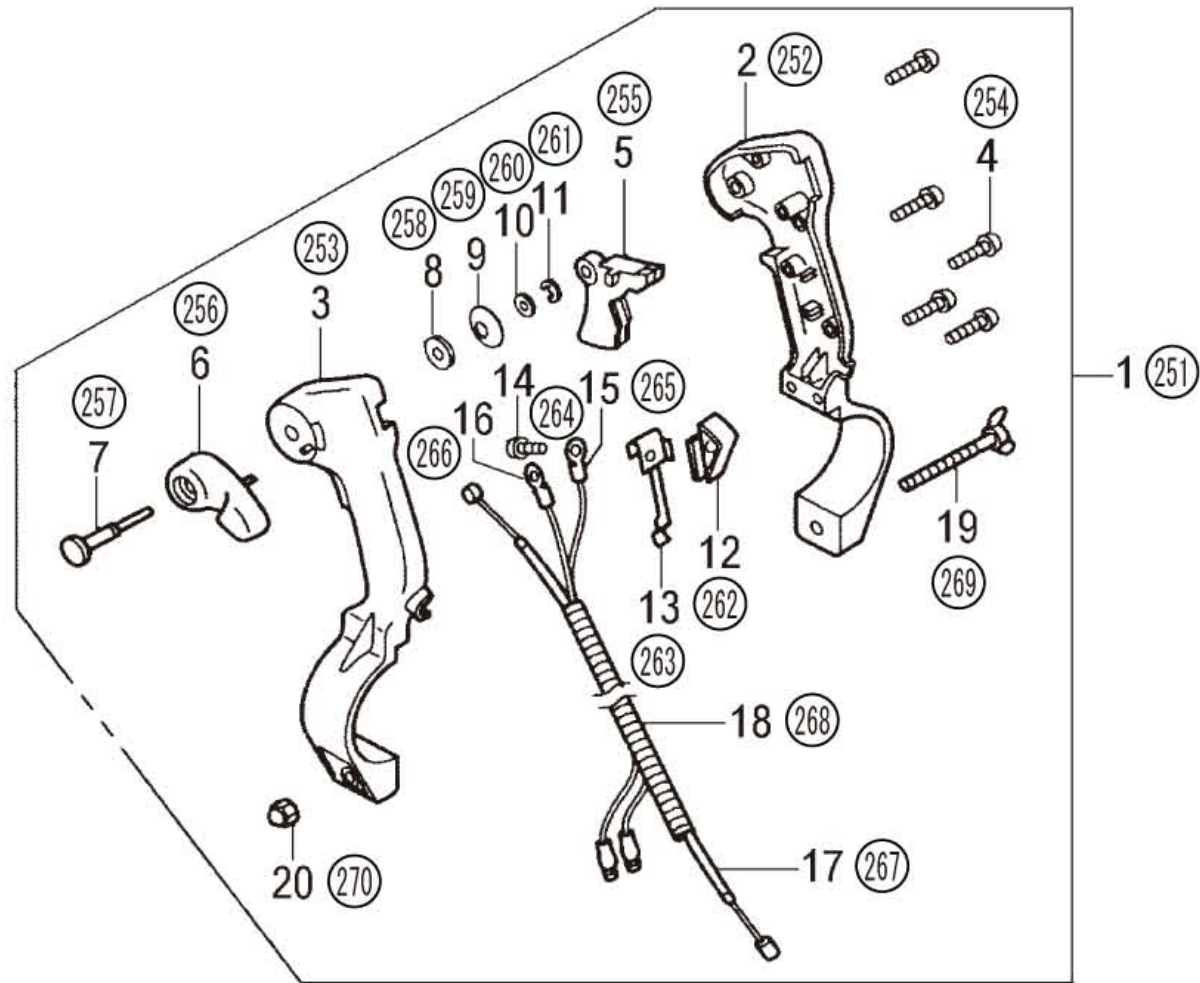
S40-06 THROTTLE LEVER(TBL7800)



HITACHI NUMBER	REF. NUMBER	PARTS NUMBER	DESCRIPTION	Q'TY	TANAKA PARTS NUMBER
S40-06 THROTTLE LEVER(TBL7800)					
211	1	669-3781	THROTTLE LEVER SET	1	871-31905-90
212	2	668-8389	THROTTLE LEVER ASS'Y	1	263-31905-90
213	3	305-5491	NYLON NUT M5	1	991-78050-010
214	4	668-4661	WASHER 5	1	992-01050-011
215	5	668-8324	THROTTLE LEVER ARM	1	250-31905-20
216	6	668-6055	THROTTLE LEVER BRACKET	1	040-31905-80
217	7	669-3367	SET BOLT	1	793-31905-20
218	8	669-4039	SPRING	1	892-16005-20
219	9	669-3645	SPECIAL WASHER A	1	844-31905-20
220	10	668-5865	FLANGE NUT M6	1	029-31905-20
221	11	668-4611	WASHER M8	2	992-01080-011
222	12	668-7751	STOP BUTTON COMP.	1	170-16005-80
223	13	668-8408	STOP BUTTON COVER	1	266-16005-20
224	14	669-3937	THROTTLE WIRE COMP.	1	885-31905-80
225	15	668-7533	PROTECTION TUBE 7X300L	1	164-07030-00
226	16	668-8301	GRIP ASS'Y	1	248-31905-90
227	17	669-0782	WING BOLT 6X65	1	465-16005-20
228	18	669-5155	WING NUT 6	1	991-61060-012
229	19	669-1213	WASHER	2	513-32625-20
230	20	669-5151	SMALL CAP NUT 6	1	991-53060-013
231	22	669-3571	SCREW M 5X16TORX	2	825-31905-20

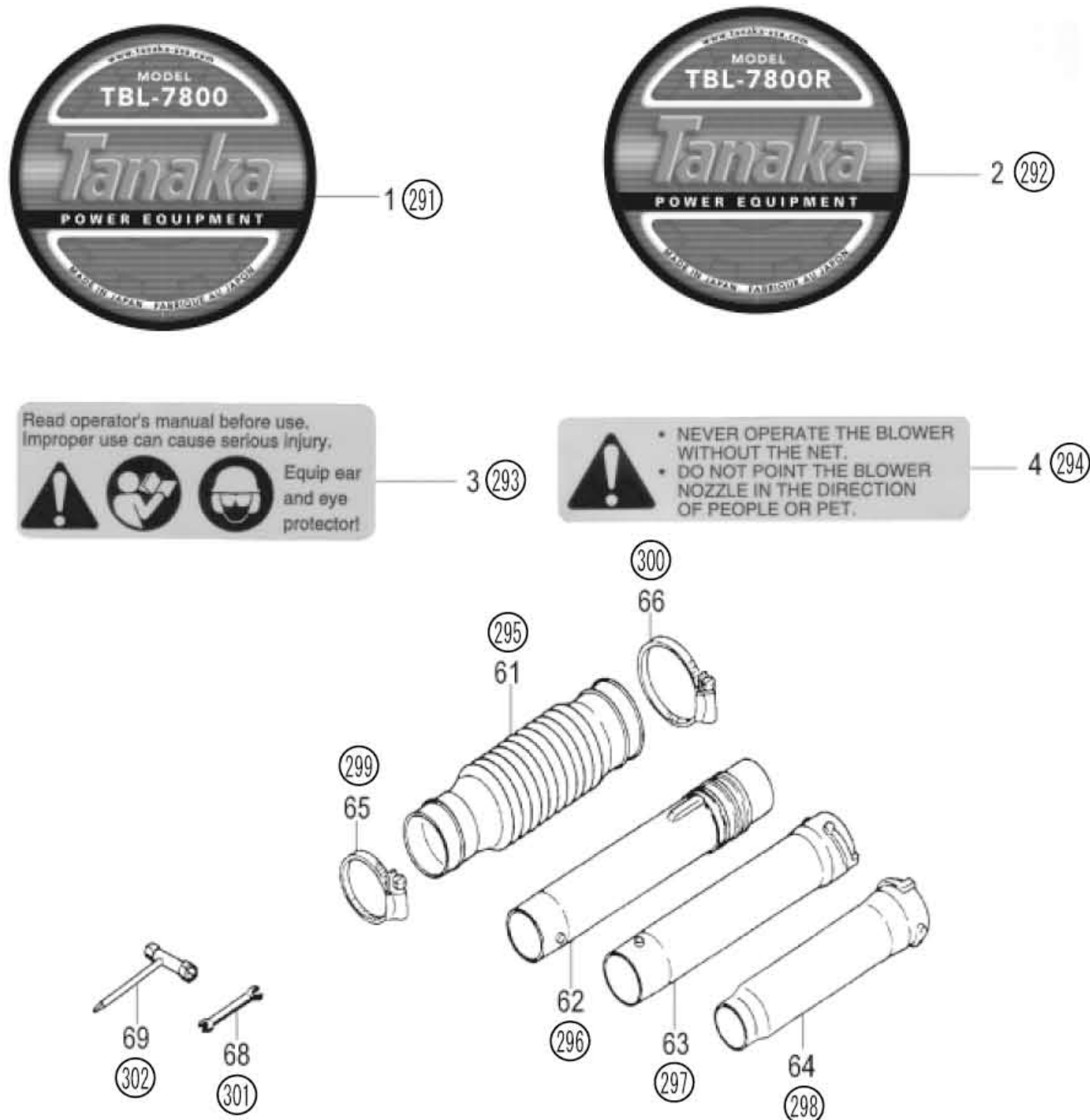
形 名
TBL7800/R

S40-07 THROTTLE LEVER(TBL7800R)



HITACHI NUMBER	REF. NUMBER	PARTS NUMBER	DESCRIPTION	Q'TY	TANAKA PARTS NUMBER
S40-07 THROTTLE LEVER(TBL7800R)					
251	1	669-3782	THROTTLE LEVER SET	1	871-31906-90
252	2	668-8302	GRIP	1	248-31906-20
253	3	668-8384	GRIP COMP.	1	262-31906-80
254	4	669-3473	SCREW A 4X14	5	806-31906-20
255	5	668-8390	THROTTLE LEVER	1	263-31906-20
256	6	668-8312	LEVER	1	249-31906-20
257	7	668-9297	LEVER SHAFT	1	339-31906-20
258	8	668-8256	WASHER 6.5X25X1.2T	1	240-31906-20
259	9	669-3646	SPECIAL WASHER B	1	844-31906-20
260	10	669-1213	WASHER	1	513-32625-20
261	11	669-5306	STOPPER RING 6	1	993-54006-002
262	12	668-7508	STOP SWITCH	1	162-16005-20
263	13	668-8382	STOP SWITCH SPRING	1	262-16005-20
264	14	669-3476	SCREW B 4X10	1	807-31906-20
265	15	668-7788	CORD W1150M	1	173-16005-80
266	16	668-7790	CORD B1100M	1	174-16005-80
267	17	669-3938	THROTTLE WIRE COMP.	1	885-31906-80
268	18	668-7548	PROTECTION TUBE 7X940L	1	164-07094-00
269	19	669-0783	WING BOLT 6X50	1	465-31906-20
270	20	669-5151	SMALL CAP NUT 6	1	991-53060-013
271	21	668-8222	CLAMP	1	229-31906-20

S40-08 LABELS & OPTIONAL PART



HITACHI NUMBER	REF. NUMBER	PARTS NUMBER	DESCRIPTION	Q'TY	TANAKA PARTS NUMBER
S40-08 LABELS & OPTIONAL PART					
291	1	669-4253	NAME PLATE TBL-7800	1	906-31905-20
292	2	669-4255	NAME PLATE TBL-7800R	1	906-31906-20
293	3	669-4534	CAUTION MARK A	1	919-31905-20
294	4	669-4559	CAUTION MARK B	1	920-31905-20
295	61	668-6798	FLEXIBLE PIPE	1	101-31905-20
296	62	668-6816	SWIVEL PIPE	1	102-31905-20
297	63	668-6821	STRAIGHT PIPE	1	103-31905-20
298	64	668-8954	STRAIGHT PIPE	1	305-31905-20
299	65	668-6786	PIPE BAND 96	1	100-31905-20
300	66	668-8416	PIPE BAND 115	1	267-31905-20
301	68	669-3654	SPANNER 8X10	1	854-31905-20
302	69	669-3652	COMBI.BOX WRENCH 19X16	1	853-31905-20

形 名
TBL7800/R