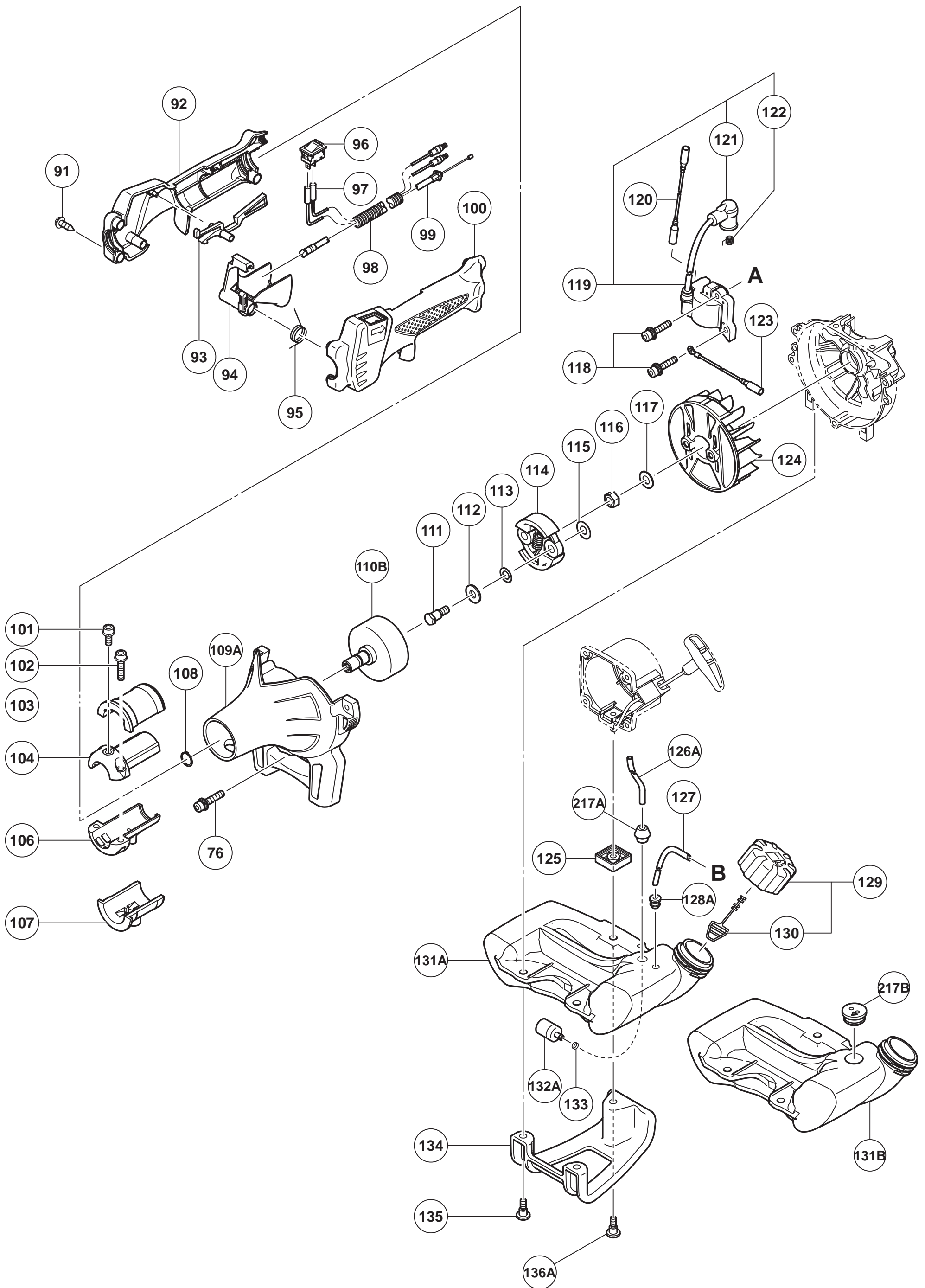
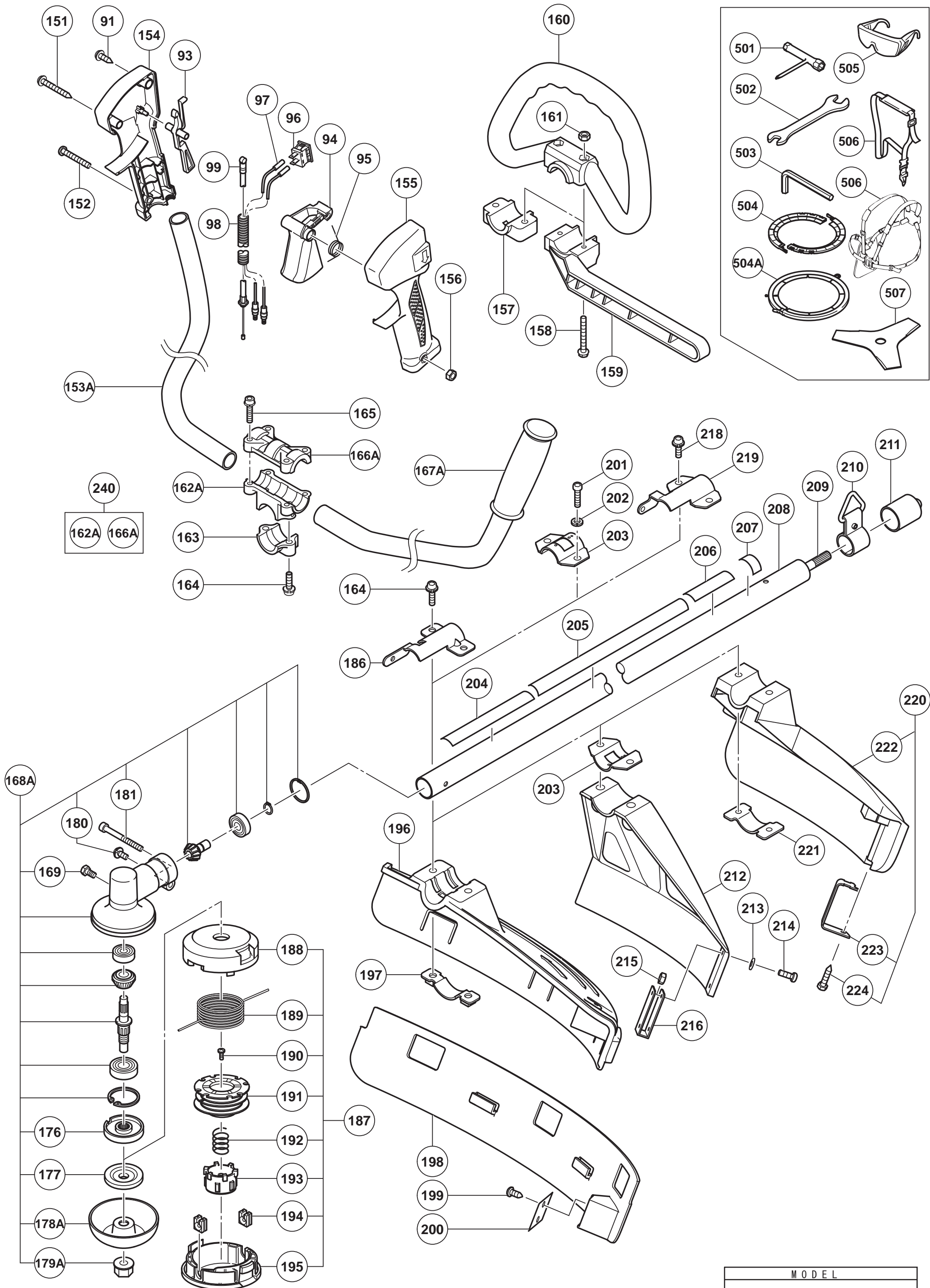


MODEL
TCG27EAS(1/3)





MODEL
TCG27EAS(3/3)