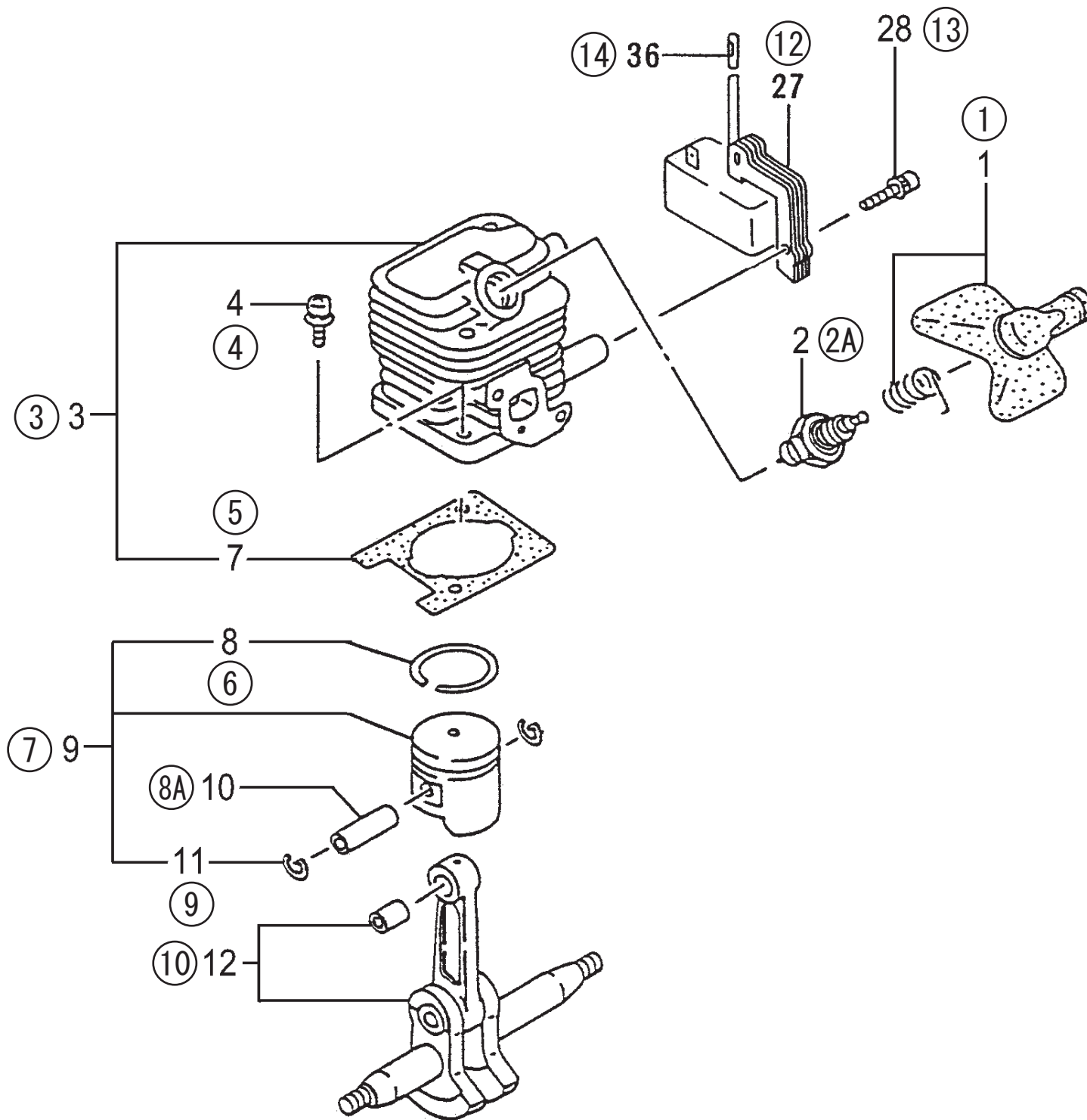
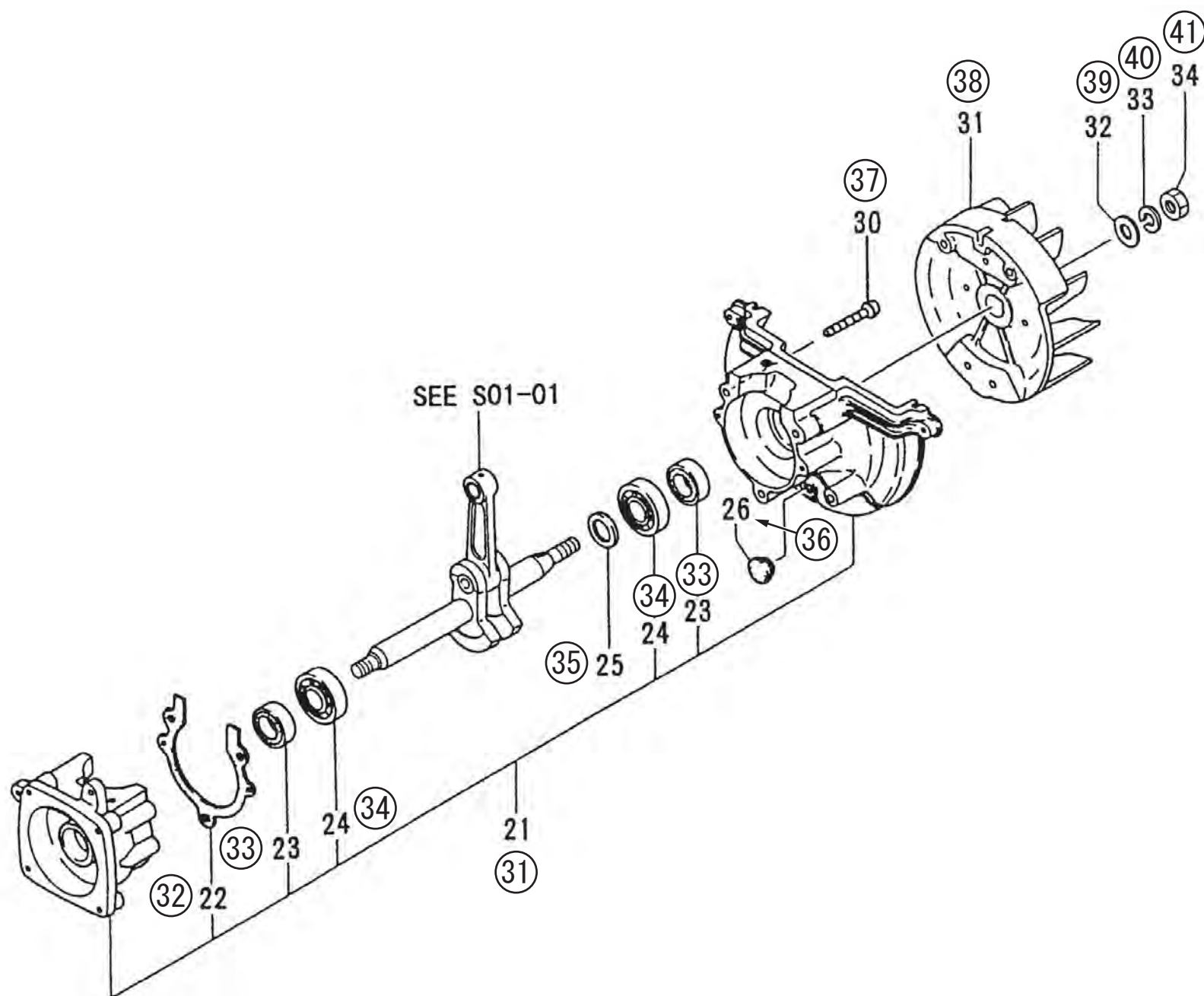


S01-01 CYLINDER/PISTON/CRANK SHAFT



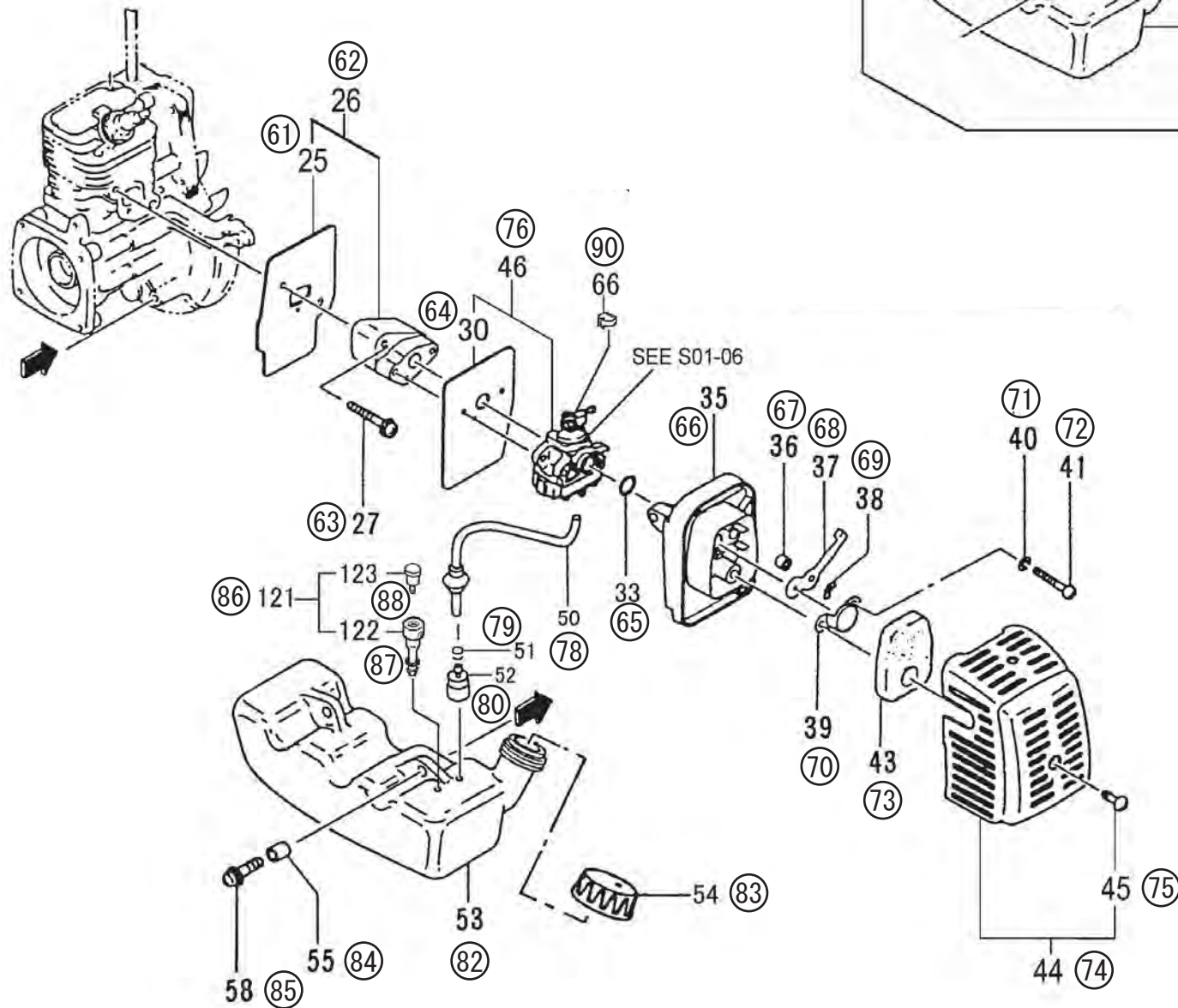
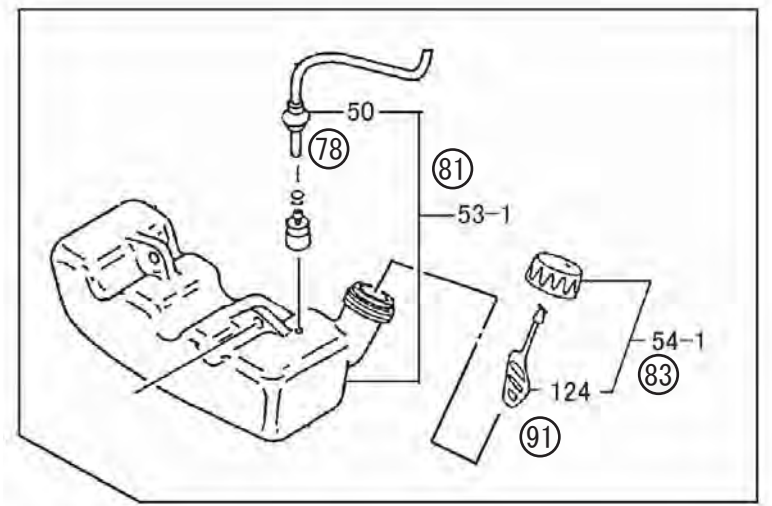
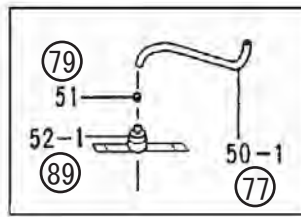
HITACHI NUMBER	REF. NUMBER	PARTS NUMBER	DESCRIPTION	Q'TY	TANAKA PARATS NUMBER
S01-01 CYLINDER/PISTON/CRANK SHAFT					
1	1	668-7476	SPARK PLUG CAP ASS'Y	1	157-06500-91
2	2	668-5780	SPARK PLUG BPM-7A	1	018-11610-21
3	3	668-5480	CYLINDER SET	1	001-0650A-90
4	4	668-4586	HEX.HOLE BOLT M5X18/S	2	994-61050-184
5	7	668-5744	CYLINDER GASKET	1	017-06500-20
6	8	668-6118	PISTON RING	1	041-00601-21
7	9	668-5891	PISTON SET, SPARE	1	030-06500-90
7	9	668-5892	PISTON SET	1	030-0650A-90
8	10	668-6015	PISTON PIN	1	037-06500-20
9	11	668-6028	PISTON PIN CIRCLIP	2	039-01620-20
10	12	668-6206	CRANK SHAFT COMP.	1	046-0650A-80
12	27	669-5939	IGNITION COIL COMP	1	167-21550-81
13	28	669-5407	HIGH TENSION SCREW 4X18WS	2	994-16040-186
14	36	668-4597	INSULATOR TUBE 50L	1	250-06500-20

S01-02 CRANK CASE



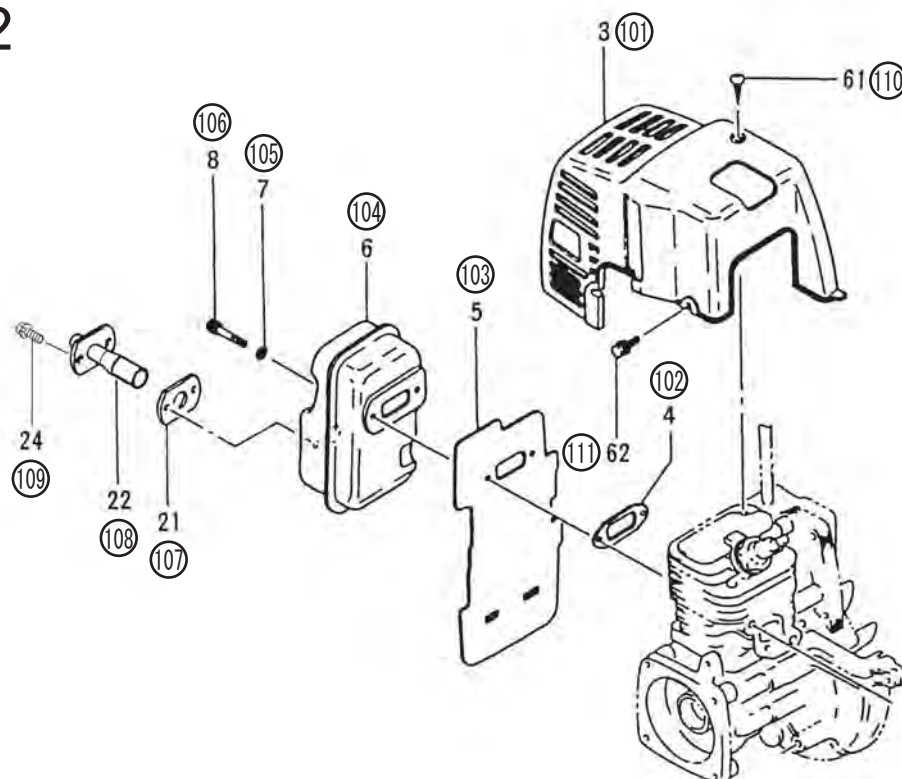
HITACHI NUMBER	REF. NUMBER	PARTS NUMBER	DESCRIPTION	Q'TY	TANAKA PARATS NUMBER
S01-02 CRANK CASE					
31	21	668-6576	CRANK CASE ASS'Y	1	072-0650A-90
32	22	668-6720	CRANKCASE GASKET	1	090-06500-20
33	23	668-4607	OIL SEAL ISCD12227	2	999-66122-200
34	24	669-5535	BALL BEARING 6001 C3	2	999-61600-115
35	25	668-9177	GEAR SHAFT SHIM 0.10	V	330-00200-21
35	25	668-9178	GEAR SHAFT SHIM 0.15	V	330-00200-22
35	25	668-4604	GEAR SHAFT SHIM 0.20	V	330-00200-23
35	25	668-4605	GEAR SHAFT SHIM 0.30	V	330-00200-24
36	26	669-1822	ANTI-VIBE RUBBER	1	599-00601-20
37	30	668-4786	HEX.SOCKET HD.BOLT M5X30 S	3	994-61050-304
38	31	668-7389	MAGNETO ROTOR COMP.	1	155-21523-80
39	32	668-4611	WASHER M8	1	992-01080-011
40	33	668-4971	S.WASHER 8	1	992-10080-012
41	34	668-4612	HEX.NUT M8	1	991-01080-011

S01-03 ENGINE-1



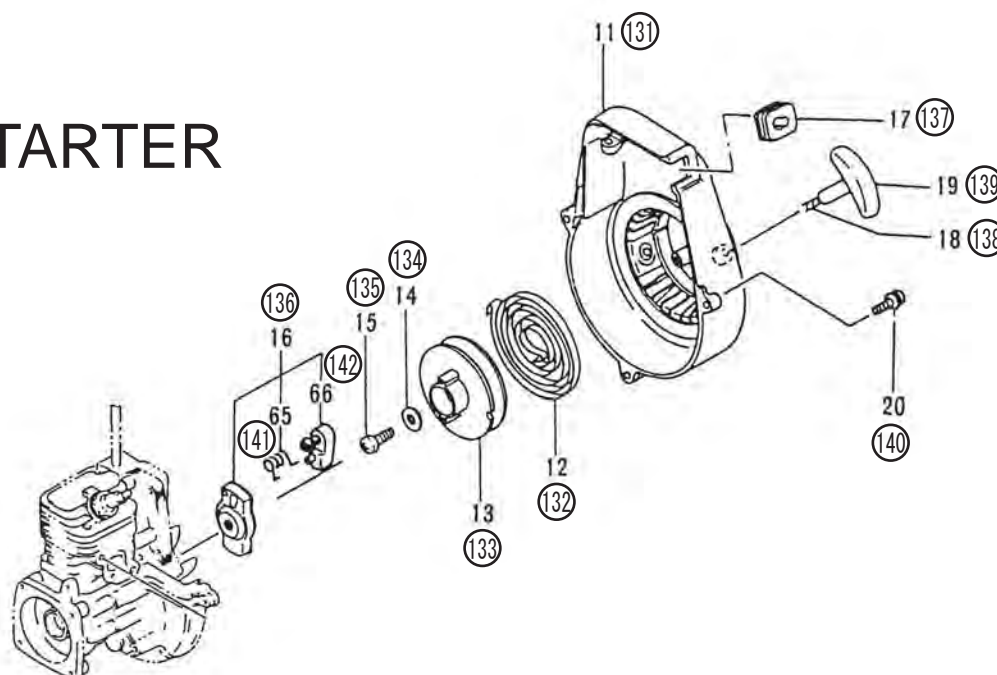
HITACHI NUMBER	REF. NUMBER	PARTS NUMBER	DESCRIPTION	Q'TY	TANAKA PARATS NUMBER
S01-03 ENGINE-1					
61	25	668-9891	INTAKE PIPE GASKET	1	403-06500-20
62	26	668-9966	CARB. INSULATOR SET, SPARE	1	404-06500-90
63	27	317-751	MACHINE SCREW (W/WASHERS) M5X25	2	994-16050-252
64	30	668-9839	CARBURETOR GASKET	1	402-06500-20
65	33	669-5670	O-RING P-15	1	999-67015-000
66	35	669-0119	CLEANER BODY COMP.	1	423-06500-81
67	36	669-0804	COLLAR 7.5	2	470-06500-20
68	37	669-1272	CHOKE VALVE	1	528-06500-20
69	38	668-4658	WAVE WASHER 8	1	992-04080-031
70	39	669-0843	BLOW OVER CHECK BOARD	1	476-01700-20
71	40	668-4662	S.WASHER 5	2	992-10050-012
72	41	668-4660	SCREW M5X60	2	990-11050-602
73	43	669-0364	CLEANER SPONGE	1	446-06500-21
74	44	669-0415	CLEANER COVER ASS'Y	1	452-06500-91
75	45	668-9737	SPECIAL SCREW	1	380-0637C-20
76	46	669-0483	CARBURETOR SET WYL81	1	455-0650A-90
77	50-1	669-2417	FUEL PIPE 3X5X130	1	700-53005-13
78	50	668-5247	SHIELD TUBE ASS'Y	1	223-06500-90
79	51	668-4619	CLIP, 6.3 DIA.	1	680-00731-20
89	52-1	669-2279	PUMP FILTER BODY ASS'Y	1	675-0608A-90
80	52	668-4620	PUMP FILTER BODY COMP.	1	675-04042-80
81	53-1	669-6113	FUEL TANK SET, VERMILION	1	591-0650A-00
82	53	669-1566	FUEL TANK, VERMILION	1	591-0650A-21
82	53	669-1567	FUEL TANK	1	591-0650C-21
83	54-1	669-1716	TANK CAP D ASS'Y. ORANGE	1	595-00093-90
83	54	669-1768	TANK CAP ASS'Y, BLACK	1	595-0656B-90
84	55	669-2244	COLLAR 5.8	2	659-00801-20
85	58	669-5505	HEX. HOLE BOLT 5X18PS	2	994-63050-185
86	121	669-1389	AIR VENT ASS'Y	1	564-06611-90
87	122	669-1395	AIR VENT PIPE	1	565-04410-20
88	123	669-2171	AIR VENT VALVE ASS'Y	1	646-06612-90
90	66	668-4628	SWIVEL CAP	1	560-07120-20
90	66	668-4628	SWIVEL CAP	1	560-07120-20
91	124	668-4625	TANK CAP CHAIN	1	626-32550-20

S01-04 ENGINE-2



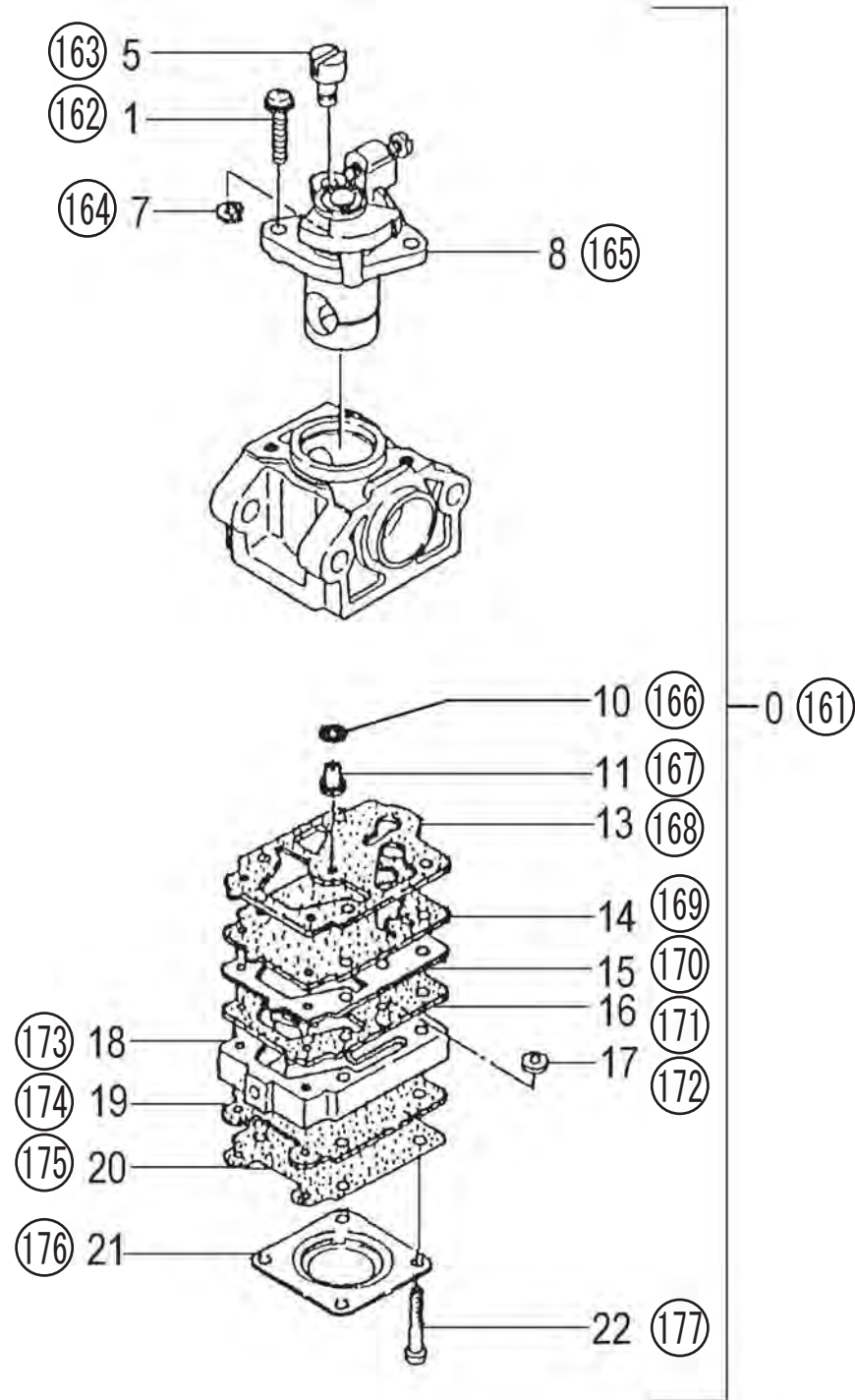
HITACHI NUMBER	REF. NUMBER	PARTS NUMBER	DESCRIPTION	Q'TY	TANAKA PARATS NUMBER
S01-04 ENGINE-2					
101	3	669-2796	MUFFLER PROTECTOR	1	738-0650A-20
102	4	669-2744	MUFFLER GASKET	1	737-06500-20
103	5	668-7252	HEAT SHIELD	1	133-06500-20
104	6	669-2571	MUFFLER COMP.	1	706-0650B-80
105	7	668-4661	WASHER 5	2	992-01050-011
106	8	668-5114	HEX. SOCKET HD. BOLT M5X50	2	990-51050-503
107	21	669-2883	MUFFLER SPECIAL GASKET	1	751-04200-20
108	22	669-2661	TAIL PIPE COMP.	1	721-0650A-80
109	24	668-5109	MACHINE SCREW (W/SP. WASHER)	2	994-34040-081
110	61	668-4636	TAPPING SCREW D4.5X16	1	990-72045-164
111	62	669-5441	BOLT 4X12PS	2	994-25040-128

S01-05 RECOIL STARTER



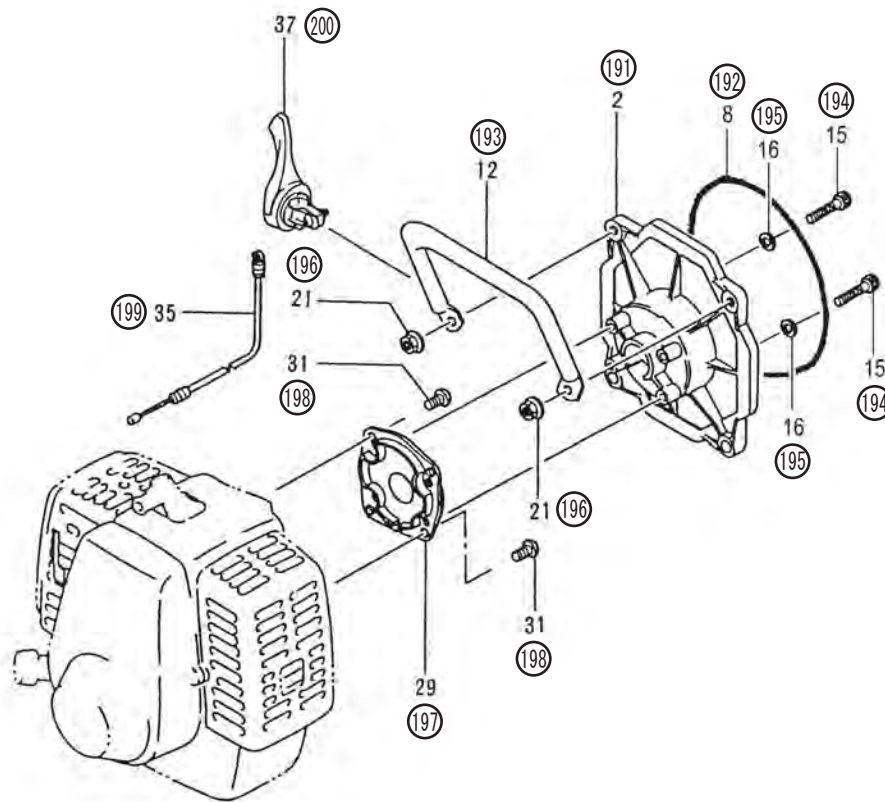
HITACHI NUMBER	REF. NUMBER	PARTS NUMBER	DESCRIPTION	Q'TY	TANAKA PARATS NUMBER
S01-05 RECOIL STARTER					
131	11	668-7012	FANCASE COMP., VERMILION	1	112-0650A-80
132	12	668-4675	RECOIL SPRING	1	780-06097-20
133	13	669-3066	STARTER ROPE REEL	1	774-06097-20
134	14	669-3422	ROPE REEL WASHER	1	801-06091-20
135	15	669-3633	SET SCREW	1	839-02010-20
136	16	669-3405	STARTER PULLEY ASS'Y	1	798-06500-90
137	17	668-8050	GROMMET	1	203-0604A-20
138	18	669-3168	STARTER ROPE	1	783-06097-20
139	19	669-3237	STARTER HANDLE	1	785-06410-20
140	20	669-5374	SCREW 4X16/PS	3	994-15040-162
141	65	668-4684	STARTER PAWL SPRING	1	790-06097-20
142	66	669-3319	STARTER PAWL	1	788-06500-20

S01-06 CARBURETOR



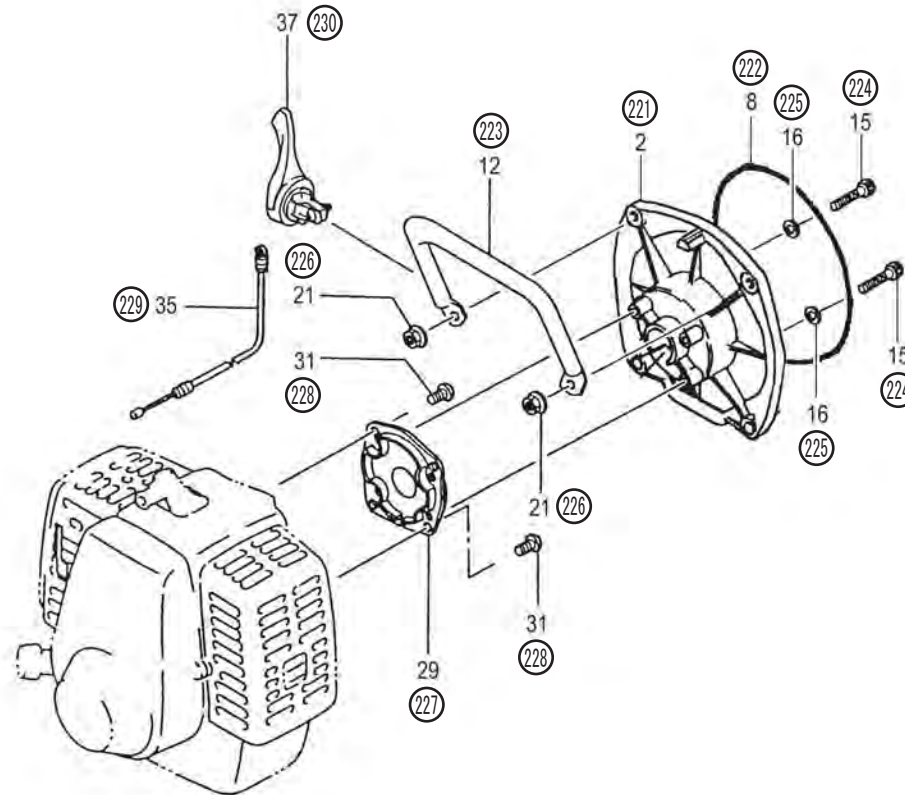
HITACHI NUMBER	REF. NUMBER	PARTS NUMBER	DESCRIPTION	Q'TY	TANAKA PARATS NUMBER
S01-06 CARBURETOR					
161	0	669-0629	CARBURETOR ASS'Y, WYL-16	1	455-25146-90
162	1	668-4698	THROTTLE SET SCREW	2	548-25140-20
163	5	668-4697	SWIVEL	1	539-25120-20
164	7	668-4696	STOP RING	1	489-25100-20
165	8	669-0935	THROTTLE VALVE COMP.	1	488-25146-80
166	10	668-4695	O-RING	1	550-25100-20
167	11	669-1885	MAIN JET #41.5	1	599-200AW-41
167	11	669-1845	MAIN JET #40	1	599-2000W-40
168	13	669-1457	PUMP GASKET	1	577-25100-20
169	14	668-4693	PUMP DIAPHRAGM	1	576-25100-20
170	15	669-1242	PUMP PLATE	1	523-25100-20
171	16	669-1234	CIRCUIT PLATE	1	522-25100-20
172	17	668-4700	INLET SCREEN	1	578-25007-20
173	18	669-1432	PUMP BODY COMP.	1	575-25152-80
174	19	668-5220	DIAPHRAGM PACKING	1	475-25038-20
175	20	669-0827	METERING DIAPHRAGM COMP. #	1	474-25001-80
176	21	668-5222	DIAPHRAGM COVER	1	476-25004-20
177	22	669-1312	SET SCREW	4	548-25101-20

S01-07 PUMP-1 (SERIAL # - Y081575)



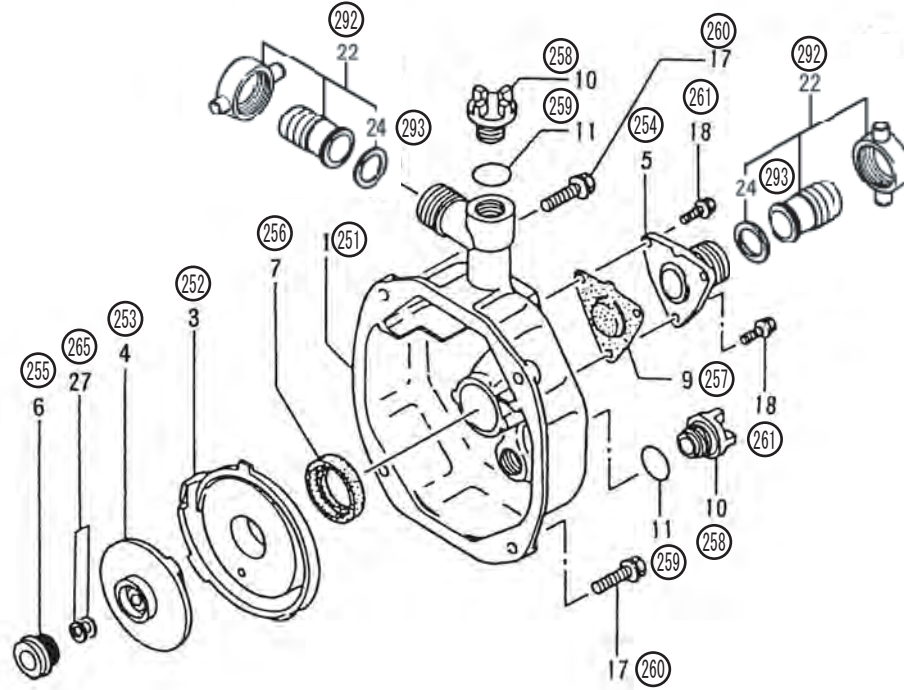
HITACHI NUMBER	REF. NUMBER	PARTS NUMBER	DESCRIPTION	Q'TY	TANAKA PARATS NUMBER
S01-07 PUMP-1 (SERIAL # - Y081575)					
191	2	668-8639	END-PLATE	1	300-31240-20
192	8	669-5689	O-RING 1517-35	1	999-67151-735
193	12	668-6732	HANDLE A	1	090-31249-20
194	15	669-5051	HEX. HOLE BOLT 5X25	4	990-51050-253
195	16	668-9684	WASHER A	4	370-31249-20
196	21	669-5171	FLANGE NUT 8	2	991-83080-001
197	29	668-9247	COUPLING FLANGE	1	333-0650A-20
198	31	669-5358	SCREW 6X16/S	4	994-14060-161
199	35	669-3909	THROTTLE WIRE COMP. 4T	1	885-0650A-80
200	37	669-3683	THROTTLE LEVER, 16 DIA.	1	870-02201-91

S01-08 PUMP-1 (SERIAL # Y081576-)



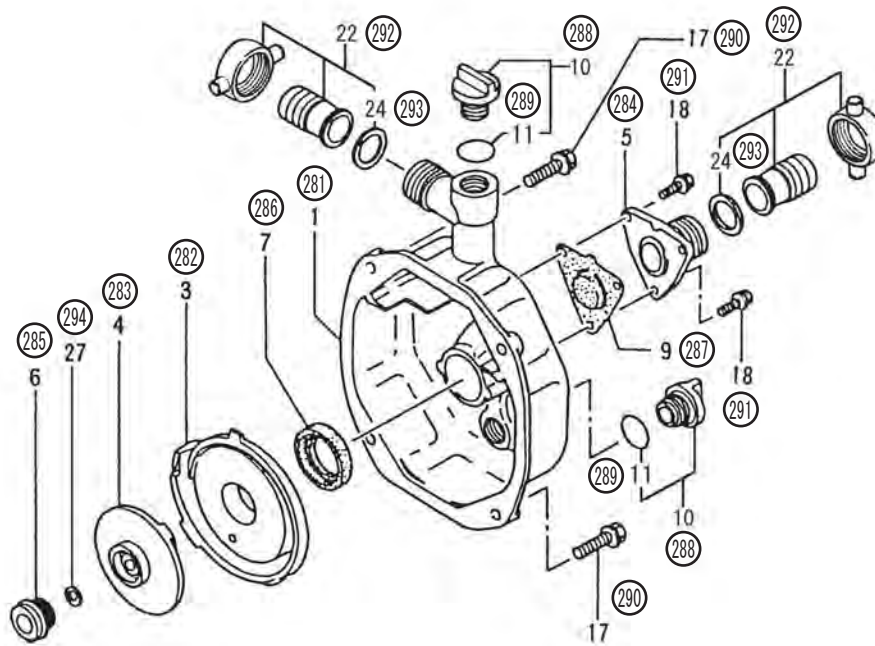
HITACHI NUMBER	REF. NUMBER	PARTS NUMBER	DESCRIPTION	Q'TY	TANAKA PARATS NUMBER
S01-08 PUMP-1 (SERIAL # Y081576 -)					
221	2	668-8640	END PLATE A	1	300-31249-20
222	8	669-5688	O-RING G140	1	999-67140-010
223	12	668-6732	HANDLE A	1	090-31249-20
224	15	669-4976	BOLT 5X25	4	990-21050-250
225	16	668-9684	WASHER A	4	370-31249-20
226	21	669-5171	FLANGE NUT 8	2	991-83080-001
227	29	668-9247	COUPLING FLANGE	1	333-0650A-20
228	31	669-5337	SCREW 5X16/S	4	994-14050-161
229	35	669-3909	THROTTLE WIRE COMP. 4T	1	885-0650A-80
230	37	669-3683	THROTTLE LEVER, 16 DIA.	1	870-02201-91

S01-09 PUMP-2 (SERIAL # - Y081575)



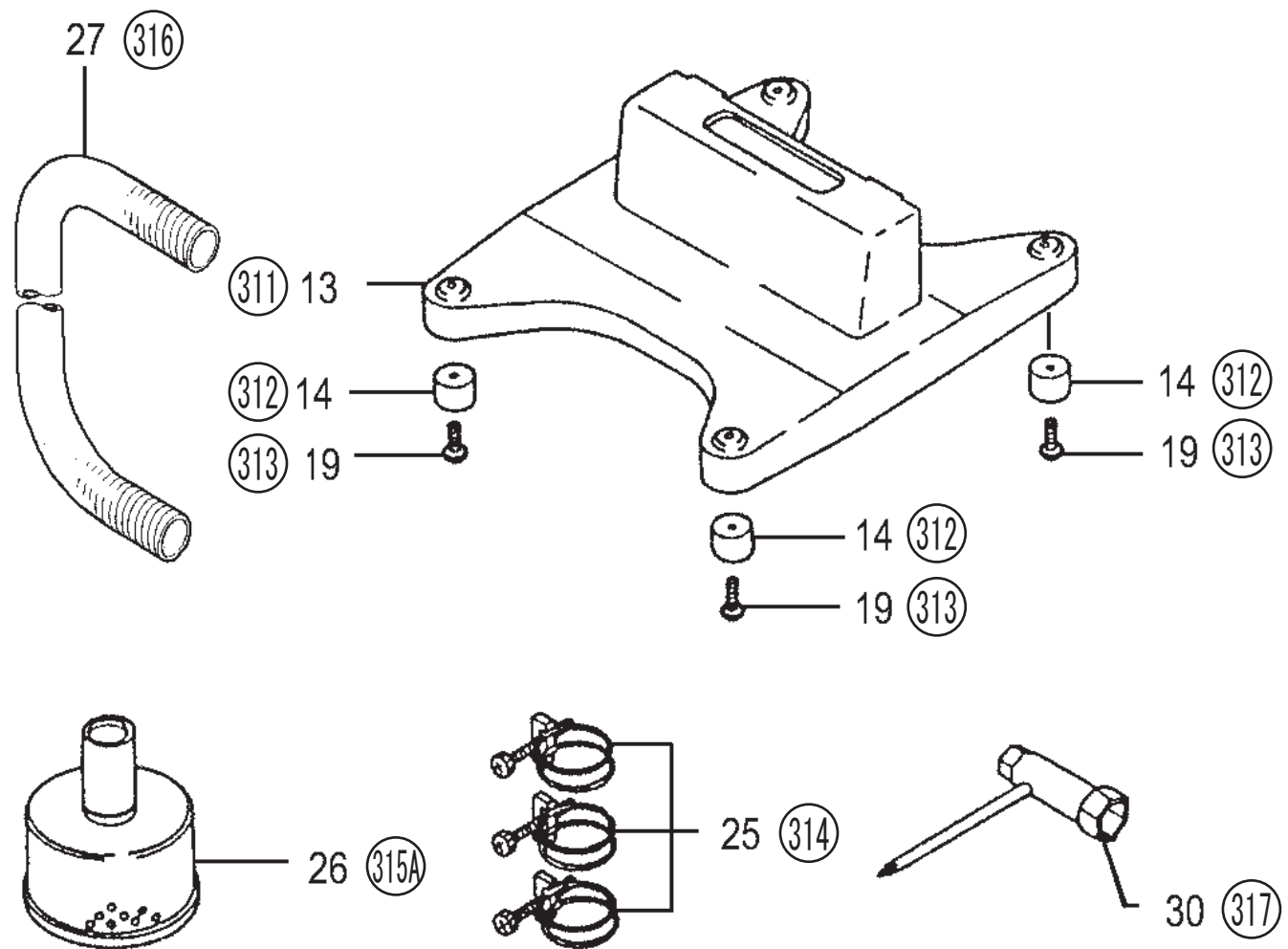
HITACHI NUMBER	REF. NUMBER	PARTS NUMBER	DESCRIPTION	Q'TY	TANAKA PARATS NUMBER
S01-09 PUMP-2 (SERIAL # - Y081575)					
251	1	668-9179	CASING	1	330-31240-20
252	3	668-9001	VOLUTE CHAMBER	1	310-31240-20
253	4	NLA	No Longer Available	1	NLA
254	5	668-9131	SUCKTION PLATE	1	320-31240-20
255	6	668-7495	MECHANICAL SEAL ASS'Y	1	160-31240-90
256	7	668-9039	VOLUTE CHAMBER GASKET A	1	311-31249-20
257	9	668-9534	SUCKTION PLATE PACKING	1	350-31240-80
258	10	668-9658	PRIMING PLUG	2	360-31240-20
259	11	669-5675	O-RING, P-24	2	999-67024-000
260	17	669-5517	TAPPING BOLT 8X40P	4	994-73084-013
261	18	669-5440	BOLT 6X20S	3	994-24060-201
262	22	668-6331	WATER COUPLING NUT	2	053-31240-20
263	23	668-6318	WATER COUPLING B	2	052-31240-20
264	24	668-6339	COUPLING PACKING	2	054-31240-20
265	27	668-5978	IMPELLER SHAFT SHIM A 0.3	V	034-31249-20
265	27	668-5977	IMPELLER SHAFT SHIM 0.60	V	034-31240-21

S01-10 PUMP-2 (SERIAL # Y081576-)



HITACHI NUMBER	REF. NUMBER	PARTS NUMBER	DESCRIPTION	Q'TY	TANAKA PARATS NUMBER
S01-10 PUMP-2 (SERIAL # Y081576 -)					
281	1	668-9180	CASING A	1	330-31249-20
282	3	668-9002	VOLUTE CHAMBER A	1	310-31249-20
283	4	668-5958	IMPELLER A	1	031-31249-20
284	5	668-9132	SUCKTION PLATE A	1	320-31249-20
285	6	668-7496	MECHANICAL SEAL ASS'Y A	1	160-31249-90
286	7	668-9039	VOLUTE CHAMBER GASKET A	1	311-31249-20
287	9	668-9535	SUCKTION PLATE PACKING	1	350-31249-80
288	10	668-9660	PRIMING PLUG ASS'Y	2	360-31249-90
289	11	669-5675	O-RING, P-24	2	999-67024-000
290	17	669-5480	FLANGE BOLT 8X35	4	994-51080-350
291	18	669-5477	FLANGE BOLT 6X16	3	994-51060-160
292	22	668-6258	WATER COUPLING ASS'Y A	2	050-31249-90
293	24	668-6340	COUPLING PACKING	2	054-31249-20
294	27	668-5978	IMPELLER SHAFT SHIM A 0.3	V	034-31249-20

S01-11 BED



HITACHI NUMBER	REF. NUMBER	PARTS NUMBER	DESCRIPTION	Q'TY	TANAKA PARATS NUMBER
S01-11 BED					
311	13	NLA	No Longer Available	1	NLA
311	13	668-6629	BED A	1	080-31249-20
312	14	668-9059	CUSHION RUBBER	4	312-31240-20
312	14	668-9060	CUSHION RUBBER A	4	312-31249-20
313	19	669-5260	TAPPING SCREW 5X14	4	993-14051-412
313	19	669-5251	TAPPING SCREW 5X14	4	993-11051-402
314	25	668-7218	WIRE BAND 33	4	132-31223-20
314	25	668-7218	WIRE BAND 33	3	132-31223-20
315	26	668-6781	FILTER COMP.	1	100-31240-80
316	27	668-7937	SUCTION HOSE A 3M	1	180-31251-20
317	30	668-4979	COMBI BOX SPANNER 13X19 PLUS	1	829-20000-80