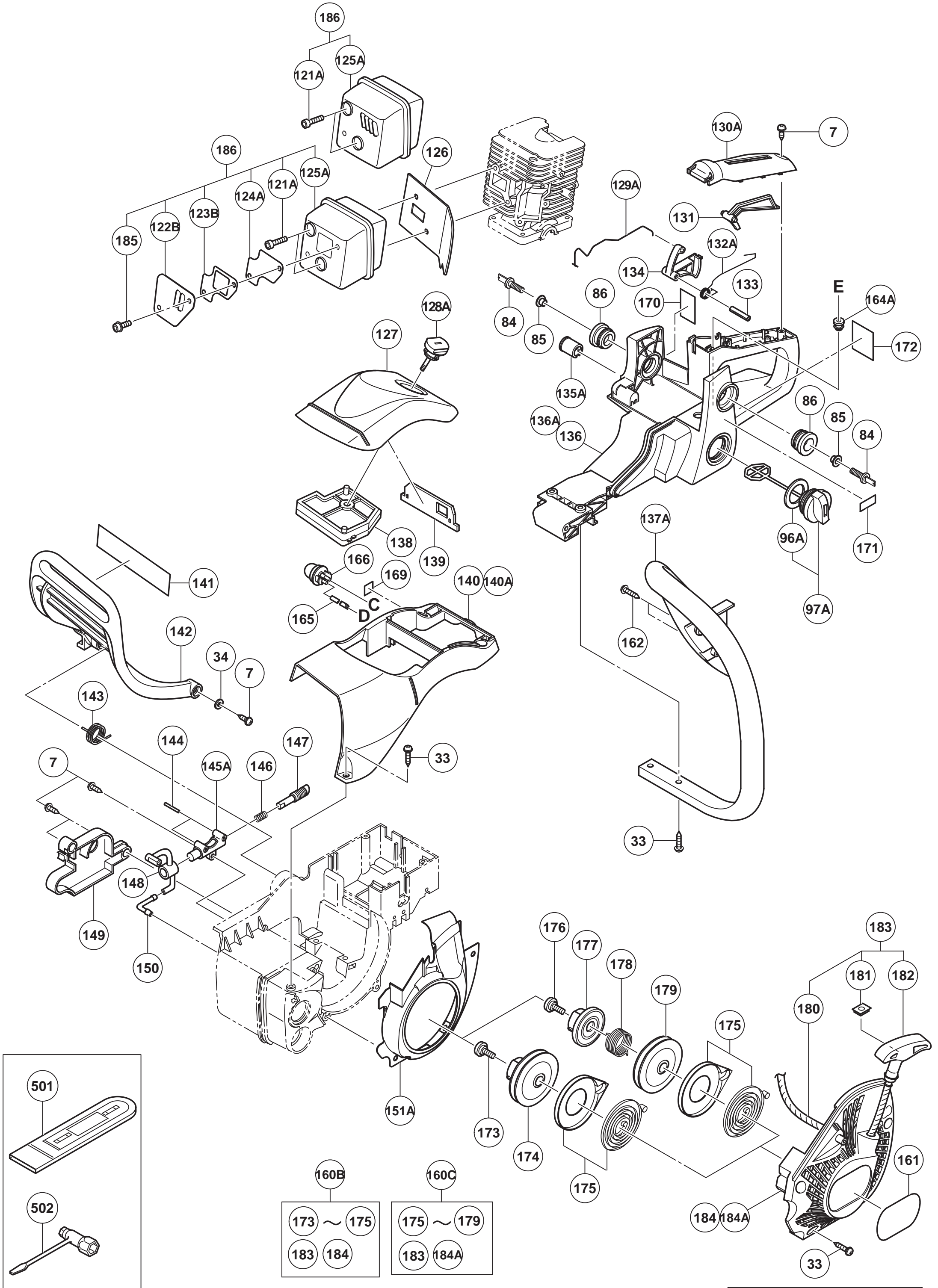


53B ~ 55A
67A 151A 188

MODEL
TCS33EB(1/2)



MODEL
TCS33EB(2-2)