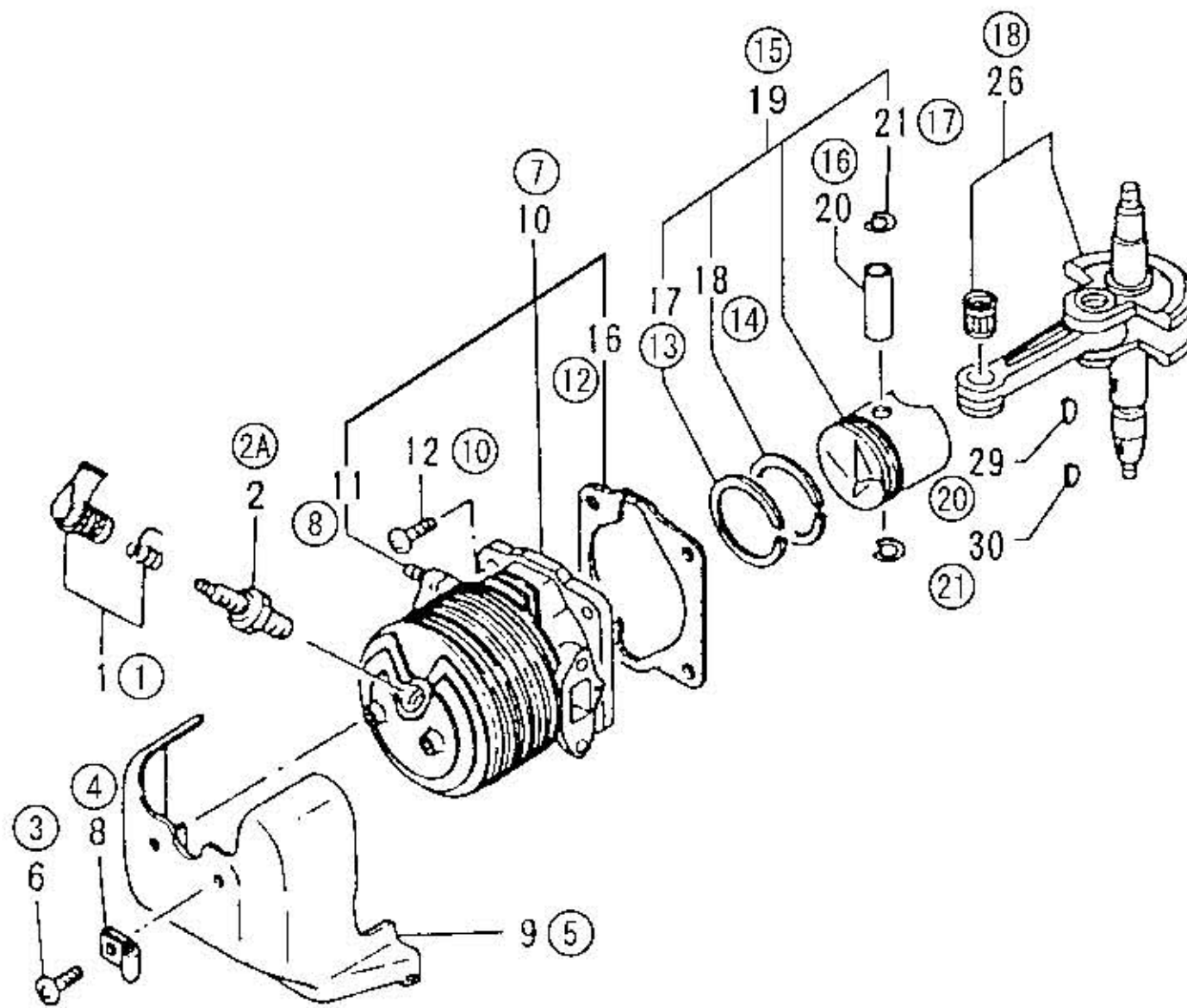
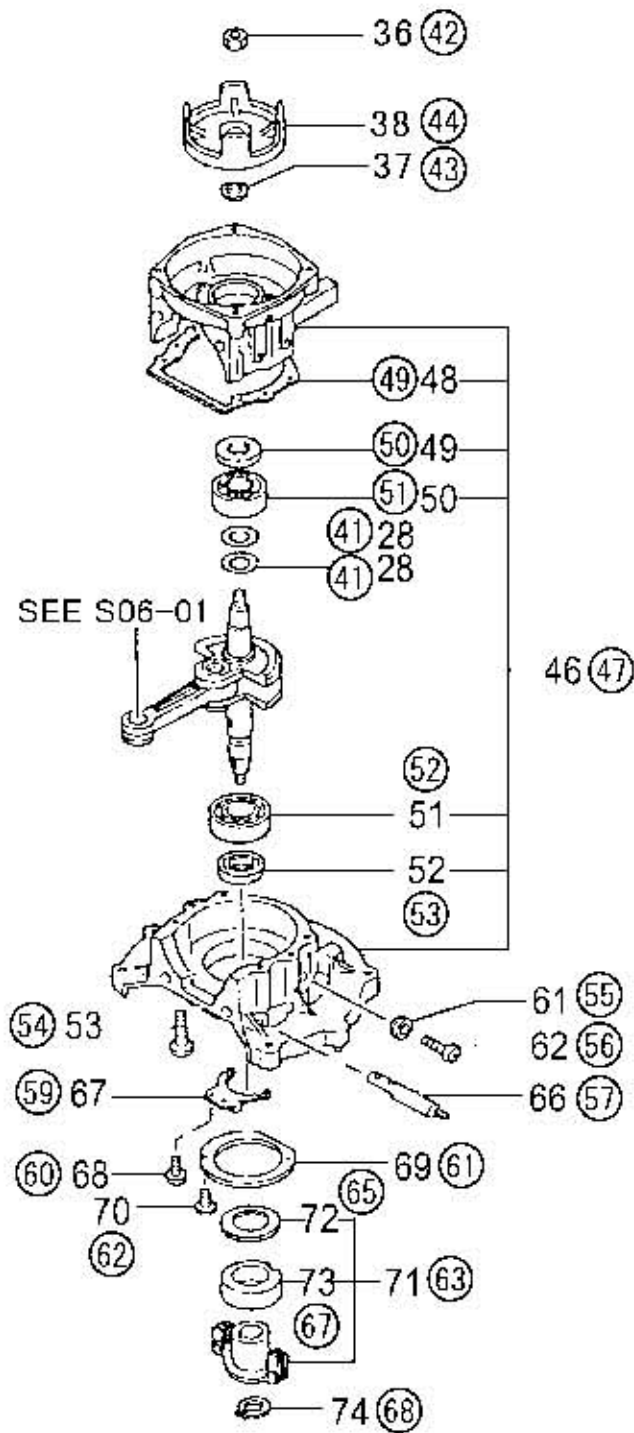


S06-01 CYLINDER/PISTON/CRANK SHAFT



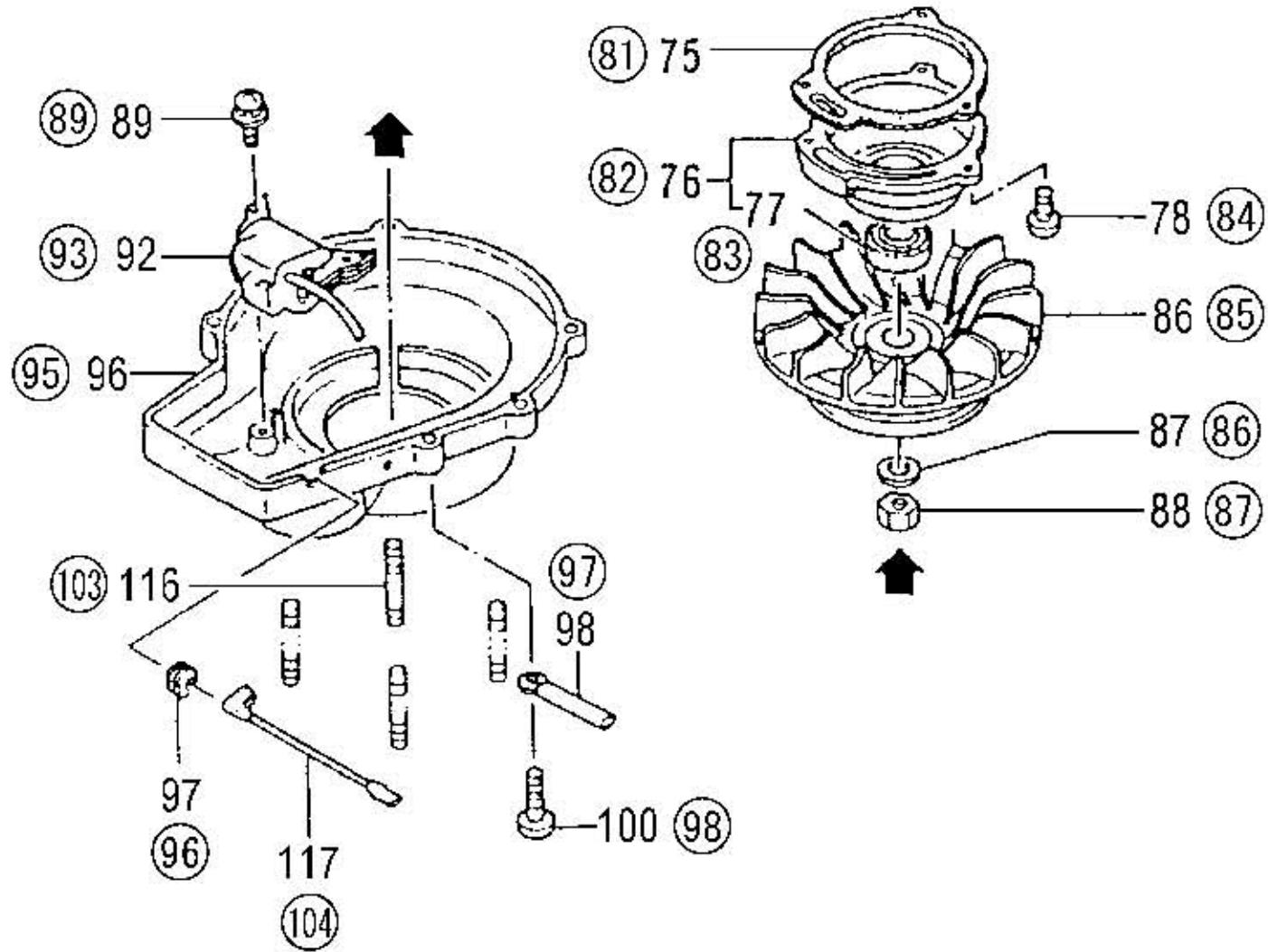
HITACHI NUMBER	REF. NUMBER	PARTS NUMBER	DESCRIPTION	Q'TY	TANAKA PARTS NUMBER
S06-01 CYLINDER/PISTON/CRANK SHAFT					
1	1	668-7468	SPARK PLUG CAP ASS'Y	1	157-01570-90
2	2	668-5765	SPARK PLUG BM6A	1	018-00502-21
3	6	669-5319	SCREW 5X10/P	4	994-13050-101
4	8	668-8009	CORD CLAMP L	1	198-11109-20
5	9	668-5695	CYLINDER COVER	1	016-10244-20
7	10	668-5498	CYLINDER SET	1	001-10267-90
8	11	668-6771	STUD BOLT 6X22	2	100-02100-20
10	12	669-5495	HEX. HOLE BOLT 6X18/S	4	994-61060-184
12	16	668-5752	CYLINDER GASKET	1	017-10200-21
13	17	668-6051	PISTON RING	1	040-10100-20
14	18	668-6133	PISTON RING	1	041-10100-20
15	19	668-5904	PISTON SET PIN	1	030-10266-90
16	20	668-6019	PISTON PIN 10X35	1	037-10100-20
17	21	668-6029	PISTON PIN CIRCLIP	2	039-02000-20
18	26	668-6224	CRANK SHAFT COMP.	1	046-10244-81
20	29	668-4899	WOODRUFF KEY 3X13X4.5	1	068-10100-20
21	30	668-6457	WOOD-RUFF KEY 3X13X5	1	068-02000-20

S06-02 CRANK CASE/GOVERNOR



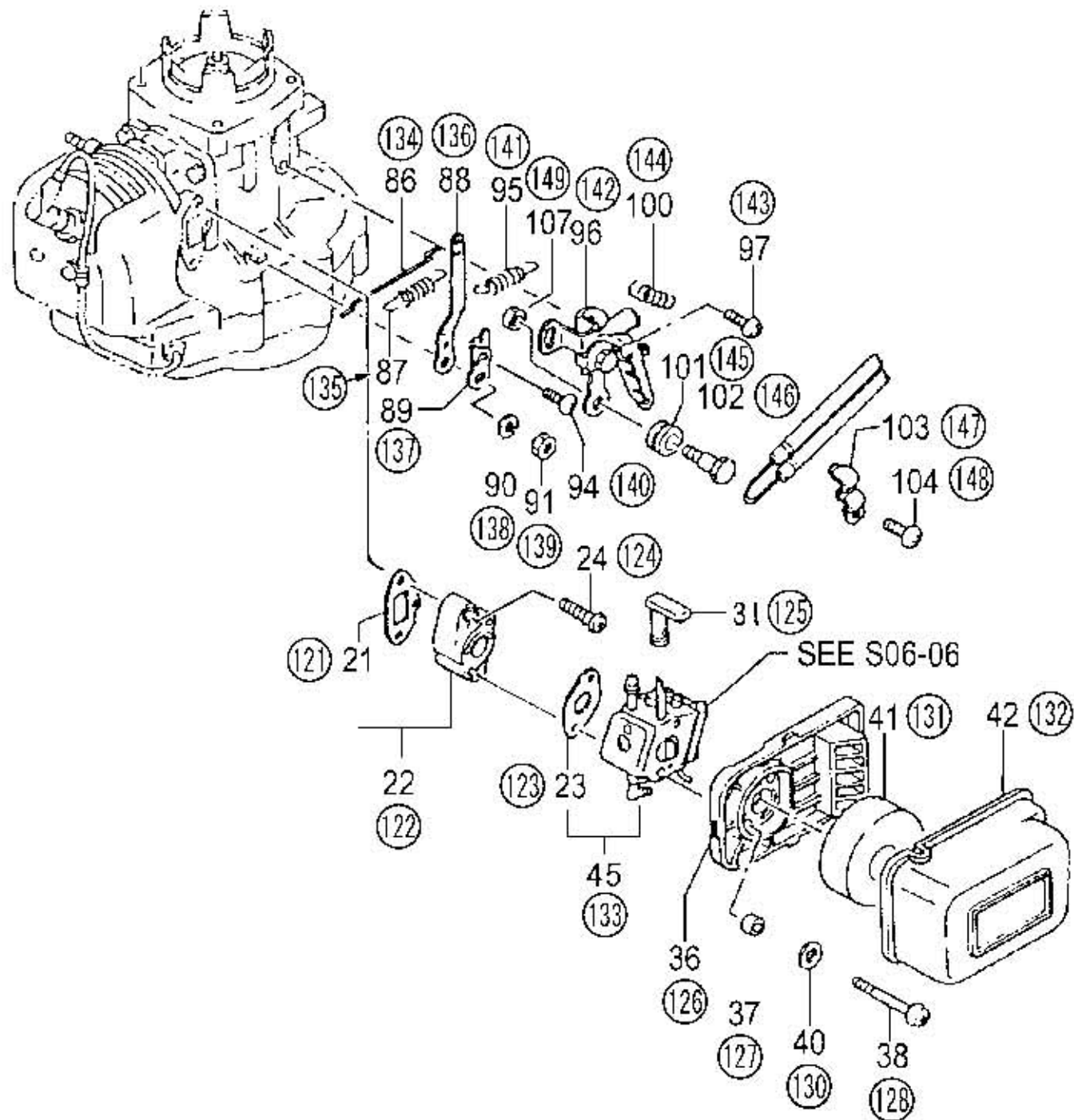
HITACHI NUMBER	REF. NUMBER	PARTS NUMBER	DESCRIPTION	Q'TY	TANAKA PARTS NUMBER
S06-02 CRANK CASE/GOVERNOR					
41	28	668-6470	CRANK SHAFT SHIM 0.10	V	071-02007-21
41	28	668-6471	CRANK SHAFT SHIM 0.15	V	071-02007-22
41	28	668-6472	CRANK SHAFT SHIM 0.20	V	071-02007-23
41	28	668-6473	CRANK SHAFT SHIM 0.30	V	071-02007-24
42	36	669-5139	SMALL NUT 10	1	991-11100-013
43	37	668-4820	PULLEY WASHER	1	801-10205-20
44	38	669-3409	STARTER PULLEY	1	798-10205-20
47	46	668-6595	CRANK CASE ASS'Y	1	072-10243-91
49	48	668-6727	CRANK CASE GASKET	1	090-10200-21
50	49	669-5641	OIL SEAL 15307	1	999-66153-000
51	50	669-5557	BALL BEARING #6202, 35MM/OD	1	999-61620-200
52	51	669-5562	BALL BEARING #6203, 40MM/OD	1	999-61620-300
53	52	669-5648	OIL SEAL UE17307	1	999-66173-066
54	53	669-5499	HEX HOLE BOLT 6X30/S	4	994-61060-304
55	61	669-2685	DRAIN GASKET	1	727-01040-20
56	62	669-4926	SCREW 6X10	1	990-11060-102
57	66	668-9682	GOVERNOR SHAFT	1	369-10250-20
59	67	668-9679	GOVERNOR SHAFT ARM	1	367-10250-21
60	68	669-4855	SCREW 3X6	2	990-11030-061
61	69	668-9175	OIL PARTITION	1	329-10250-21
62	70	669-4861	SCREW 4X8	2	990-11040-081
63	71	668-7057	GOVERNOR ASS'Y	1	114-10250-91
65	72	668-9780	GOVERNOR PLATE	1	388-10250-21
67	73	668-9782	GOVERNOR SLEEVE	1	389-10250-21
68	74	669-5285	STOP RING C-15, OUTER	1	993-50015-002

S06-03 FAN CASE



HITACHI NUMBER	REF. NUMBER	PARTS NUMBER	DESCRIPTION	Q'TY	TANAKA PARTS NUMBER
S06-03 FAN CASE					
81	75	668-9775	GOVERNOR COVER GASKET	1	385-10250-20
82	76	668-9771	GOVERNOR COVER ASS'Y	1	384-10243-90
83	77	669-5637	OIL SEAL UD15257	1	999-66152-564
84	78	669-4863	SCREW 4X10	3	990-11040-101
85	86	668-7405	MAGNETO ROTOR COMP.	1	155-21715-80
86	87	669-5198	WASHER 10	1	992-01100-011
87	88	669-5134	NUT 10 (L.H. THREAD)	1	991-09100-001
89	89	669-5410	SCREW 4X22/WS	2	994-16040-226
93	92	669-5942	IGNITION COIL 255	1	167-21954-81
95	96	668-7046	FAN CASE	1	112-10244-21
96	97	668-8040	GROMMET	1	202-10200-20
97	98	668-8004	CORD CLAMP COMP.	1	198-05015-80
98	100	669-5363	SCREW 6X25/S	4	994-14060-251
103	116	668-6772	STUD BOLT 6X36	4	100-04001-20
104	117	668-7826	STOP CORD COMP.	1	178-0136M-80
104	117	669-6371	CORD B135M	1	178-10269-80

S06-04 ENGINE-1

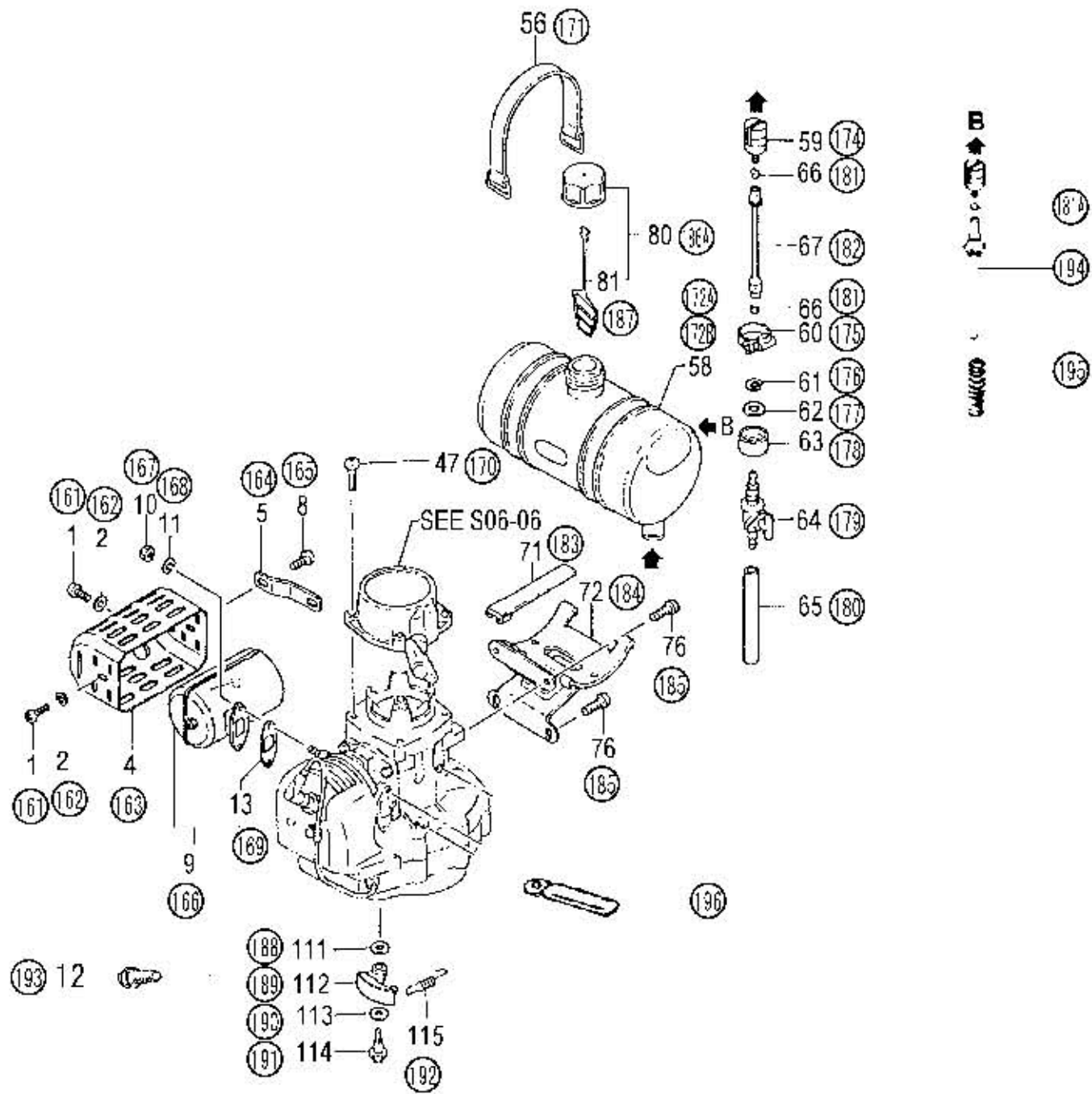


HITACHI NUMBER	REF. NUMBER	PARTS NUMBER	DESCRIPTION	Q'TY	TANAKA PARTS NUMBER
S06-04 ENGINE-1					
121	21	668-9899	INLET MANIFOLD GASKET	1	403-10244-20
122	22	668-9980	CARBURETOR INSULATOR SET	1	404-10262-90
123	23	668-9826	CARBURETOR GASKET	1	402-01740-20
124	24	669-5423	SCREW 5X24WS	2	994-16050-241
125	31	669-1004	CHOKE LEVER	1	495-04200-20
126	36	669-6027	CLEANER BODY BLK	1	423-1024A-20
127	37	669-2244	COLLAR 5.8	2	659-00801-20
128	38	669-5352	SCREW 5X55S	2	994-14050-551
130	40	668-4864	SMALL WASHER 5	2	992-00050-011
131	41	669-0366	SPONGE	1	446-10244-20
132	42	669-0158	CLEANER CAP	1	424-10244-21
133	45	669-0523	CARBURETOR SET HDA178	1	455-10253-90
134	86	669-0964	THROTTLE ROD	1	490-10244-20
135	87	668-9714	GOVERNOR ROD SPRING	1	376-12121-20
136	88	668-9719	GOVERNOR OUTER LEVER	1	377-10244-20
137	89	668-9687	GOVERNOR SPRING LEVER	1	372-10250-20
138	90	669-5219	S WASHER 6	1	992-10060-012
139	91	668-4872	LOCK NUT M6	1	991-01060-013
140	94	669-5368	SCREW 4X8/PS	1	994-15040-081
141	95	668-9697	GOVERNOR SPRING	1	374-10244-20
142	96	669-3590	CONTROL LEVER ASS'Y	1	830-10244-90
143	97	669-5413	SCREW 5X10 WS	2	994-16050-101
144	100	669-4056	WIRE RETURN SPRING	1	902-10244-20
145	101	669-4037	THROTTLE SHAFT GUIDE	1	891-10244-20
146	102	668-9627	STEP BOLT	1	357-00601-20
147	103	669-4057	WIRE CLAMP	1	903-10244-20
148	104	669-5413	SCREW 5X10 WS	1	994-16050-101
149	107	669-5159	U-NUT 6	1	991-74060-010

形 名

TEA500-4

S06-05 ENGINE-2

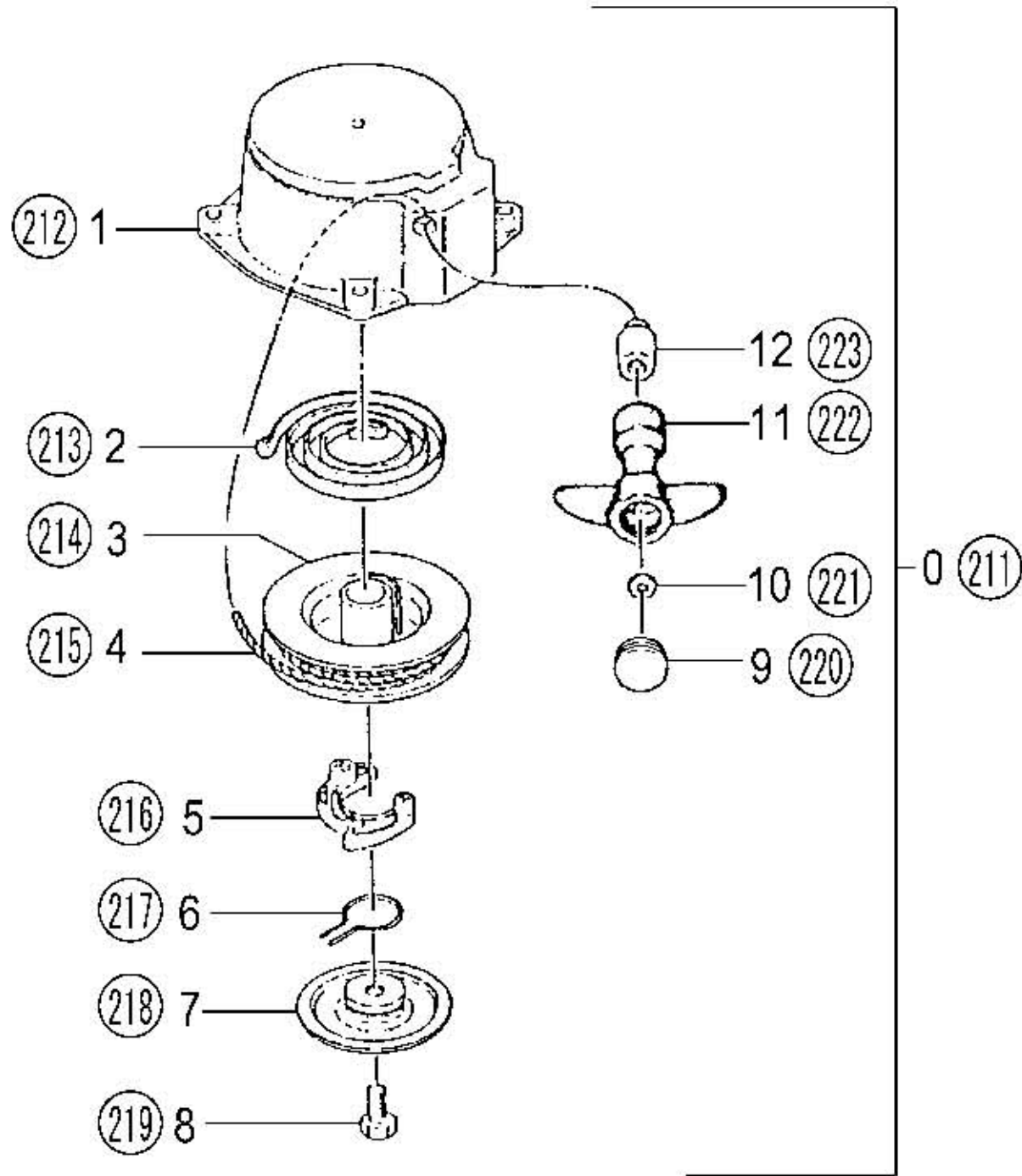


HITACHI NUMBER	REF. NUMBER	PARTS NUMBER	DESCRIPTION	Q'TY	TANAKA PARTS NUMBER
S06-05 ENGINE-2					
161	1	669-5356	SCREW 6X8/S	2	994-14060-081
162	2	668-4639	WASHER 6	2	992-01060-011
163	4	669-2820	MUFFLER PROTECTOR	1	738-10244-20
164	5	669-2706	MUFFLER STAY	1	733-10244-20
165	8	669-5399	SCREW 6X12/PS	1	994-15060-121
166	9	669-7637	MUFFLER SET	1	704-10267-90
167	10	668-4792	NUT M6	2	991-01060-011
168	11	669-5219	S.WASHER 6	2	992-10060-012
169	13	669-2746	MUFFLER GASKET 1.5T	1	737-10100-20
170	47	669-5388	SCREW 5X18/PS	4	994-15050-181
171	56	669-1926	FUEL TANK BAND COMP.	2	603-02101-80
172	58	669-6381	TANK WHT	1	591-10267-20
174	59	668-4620	PUMP FILTER BODY COMP.	1	675-07046-80
175	60	669-2316	HOSE CLIP ASS'Y	1	680-0632S-90
176	61	669-5310	STOP RING E-6	1	993-55060-000
177	62	669-5184	SMALL WASHER 8	1	992-00080-011
178	63	669-1333	PET-COCK HOLDING RUBBER	1	558-06020-20
179	64	669-1653	PET-COCK ASS'Y	1	592-06020-90
180	65	669-2366	FUEL PIPE 3X5X230	1	700-03005-23
181	66	669-2312	CLIP 7	2	680-04019-21
182	67	669-2297	RUBBER PIPE	1	678-06020-20
183	71	669-2232	CUSHION RUBBER	2	655-10244-20
184	72	669-1985	TANK HOLDING METAL COMP.	1	607-10244-80
185	76	669-5399	SCREW 6X12/PS	4	994-15060-121
186	80	669-1736	TANK CAP D ASS'Y, ORANGE	1	595-01380-90
187	81	668-4625	TANK CAP CHAIN	1	626-32550-20
188	111	668-9645	CLUTCH WASHER B	3	359-10112-20
189	112	668-8617	CLUTCH ARM COMP.	3	290-10112-80
190	113	668-9638	CLUTCH WASHER A	3	358-10112-20
191	114	668-9633	CLUTCH STEP BOLT	3	357-10112-20
192	115	668-9434	CLUTCH SPRING	3	342-10205-22
193	12	669-2693	SPARK ARRESTER COMP.	1	732-04001-80

形 名

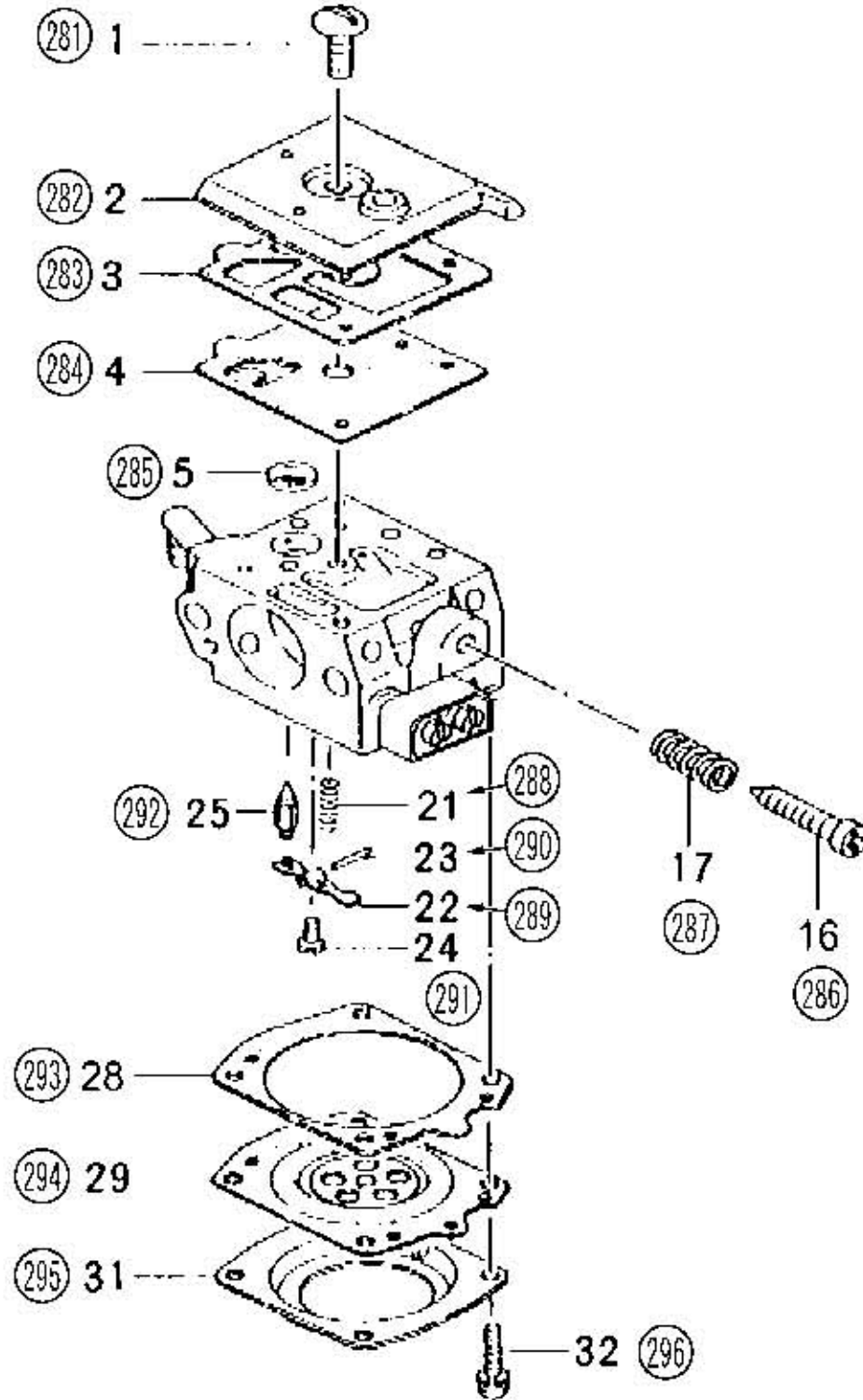
TEA500-5

S06-06 RECOIL STARTER



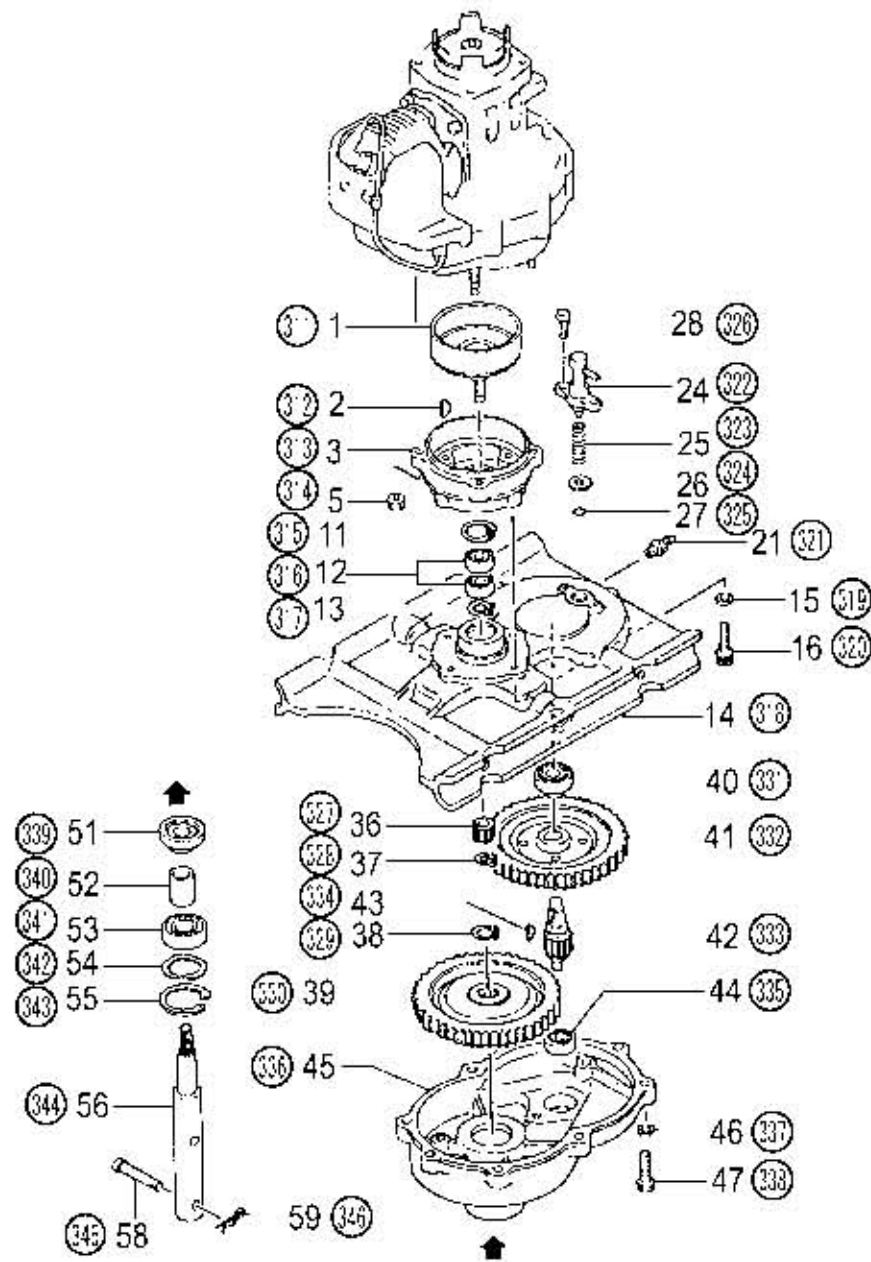
HITACHI NUMBER	REF. NUMBER	PARTS NUMBER	DESCRIPTION	Q'TY	TANAKA PARTS NUMBER
		S06-06 RECOIL STARTER			
211	0	669-2995	RECOIL STARTER BODY ASS'Y	1	762-10244-90
212	1	669-3044	RECOIL STARTER BODY	1	772-10244-20
213	2	669-3123	RECOIL SPRING	1	779-10205-20
214	3	669-3085	STARTER ROPE REEL COMP.	1	774-10246-80
215	4	669-3176	STARTER ROPE	1	783-10205-20
216	5	669-3322	STARTER PAWL	1	788-10205-20
217	6	669-3617	FRICTION SPRING	1	836-10205-20
218	7	669-3630	FRICTION PLATE	1	837-10205-20
219	8	669-4982	BOLT 6X12	1	990-21060-121
220	9	669-3610	STARTER HANDLE CAP	1	835-10246-20
221	10	669-3383	ROPE STOPPER	1	795-10243-20
222	11	669-3241	STARTER HANDLE	1	785-10118-20
223	12	669-3140	ROPE GUIDE	1	780-10108-20

S06-07 CARBURETOR



HITACHI NUMBER	REF. NUMBER	PARTS NUMBER	DESCRIPTION	Q'TY	TANAKA PARTS NUMBER
S06-07 CARBURETOR					
281	1	668-5210	SCREW	1	514-25001-20
282	2	669-1420	PUMP BODY	1	575-25012-20
283	3	669-1455	PUMP GASKET	1	577-25012-20
284	4	669-1446	PUMP DIAPHRAGM	1	576-25012-20
285	5	668-4700	INLET SCREEN	1	578-25007-20
286	16	669-0736	IDLE ADJUST SCREW	1	462-25006-20
287	17	669-0766	IDLE ADJUST SPRING	1	463-25012-20
288	21	669-0873	VALVE SPRING	1	477-25088-20
289	22	669-0819	CONTROL LEVER	1	473-25012-20
290	23	668-5219	HINGE PIN	1	605-25001-20
291	24	668-5218	HINGE PIN SET SCREW	1	546-25001-20
292	25	668-5215	NEEDLE VALVE	1	603-25012-20
293	28	669-0838	DIAPHRAGM GASKET	1	475-25012-20
294	29	669-0828	METERING DIAPHRAGM COMP.	1	474-25012-80
295	31	669-0858	DIAPHRAGM COVER	1	476-25012-20
296	32	668-5223	SET SCREW	4	548-25012-20

S06-08 GEAR CASE

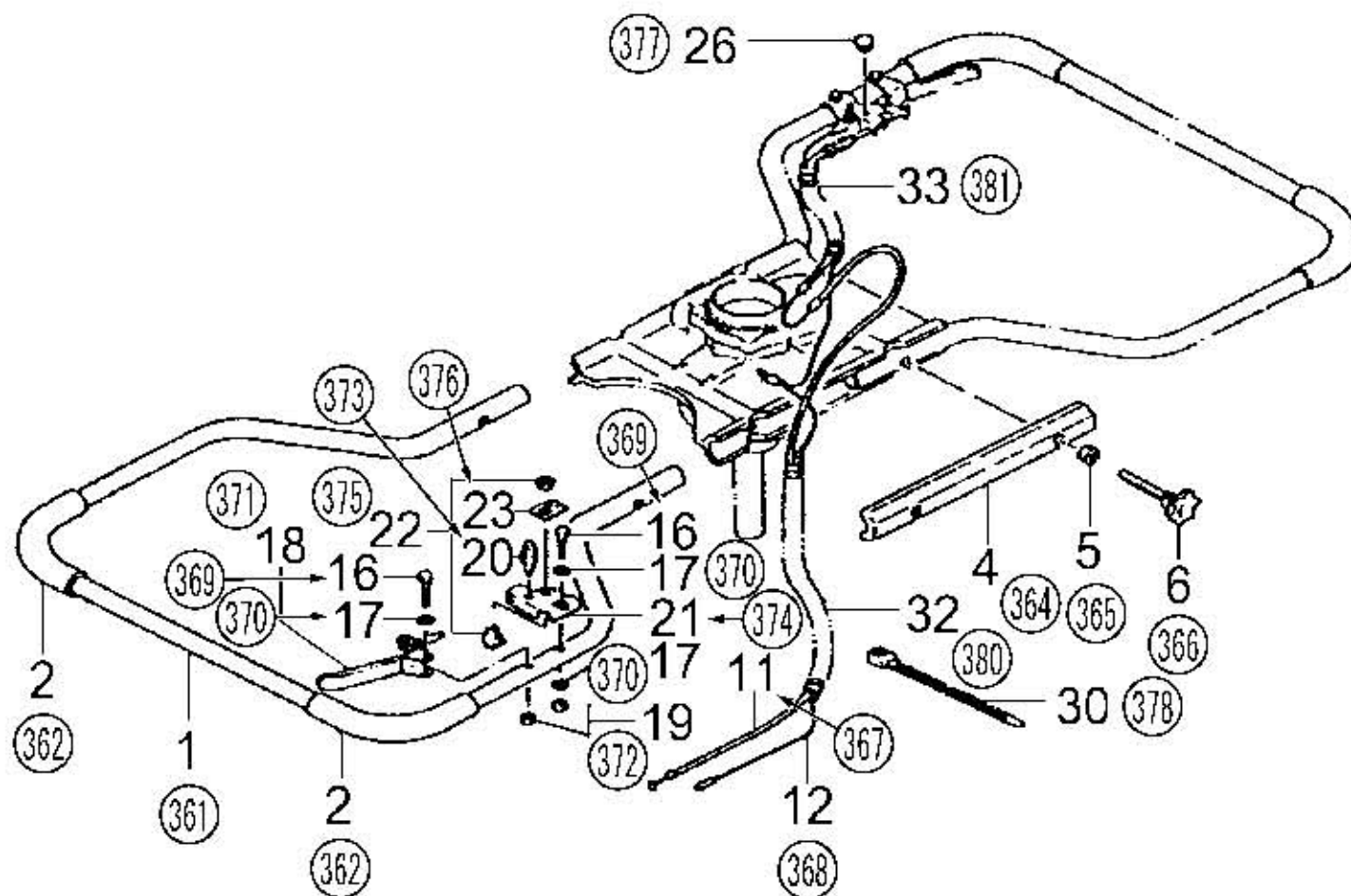


HITACHI NUMBER	REF. NUMBER	PARTS NUMBER	DESCRIPTION	Q'TY	TANAKA PARTS NUMBER
	S06-08	GEAR CASE			
311	1	668-5911	CLUTCH SHAFT COMP.	1	030-32203-80
312	2	668-4899	WOODRUFF KEY 3X13X4.5	1	068-10100-20
313	3	668-5596	GEAR CASE C	1	008-32250-20
314	5	669-5475	SPRING NUT 6	4	994-40060-011
315	11	669-5295	STOP RING C-32, INNER	1	993-51032-002
316	12	669-5538	BALL BEARING #6002Z, 32MM/OD	2	999-61600-202
317	13	669-5285	STOP RING C-15, OUTER	1	993-50015-002
318	14	669-6365	GEAR CASE A COMP.	1	002-32250-81
319	15	669-5219	S.WASHER 6	4	992-10060-012
320	16	669-5059	HEX. HOLE BOLT 6X18	4	990-51060-183
321	21	668-8643	GREASE NIPPLE COMP.	1	300-32250-80
322	24	668-9987	LOCK COMP.	1	404-32250-80
323	25	668-9905	LOCK PIN SPRING	1	403-32250-20
324	26	669-2944	WASHER	1	760-32250-20
325	27	669-5665	O-RING P-7	1	999-67007-000
326	28	669-5417	SCREW 5X16WS	2	994-16050-161
327	36	668-5606	GEAR 1	1	010-32201-20
328	37	668-4821	STOP RING C-10, OUTER	1	993-50010-002
329	38	669-5288	STOP RING C-22, OUTER	1	993-50022-002
330	39	668-5789	GEAR 4	1	018-32250-20
331	40	669-5557	BALL BEARING #6202, 35MM/OD	1	999-61620-200
332	41	668-5658	GEAR 2	1	012-32250-20
333	42	668-5704	GEAR 3	1	016-32201-20
334	43	668-6460	WOOD-RUFF KEY 4X16X5	1	068-12101-20
335	44	669-5551	BALL BEARING #6200, 30MM/OD	1	999-61620-000
336	45	668-5594	GEAR CASE B	1	006-32250-20
337	46	669-5219	S.WASHER 6	6	992-10060-012
338	47	669-5021	PLUS BOLT 6X22	6	990-23060-221
339	51	669-5523	ROLLER BRG #30205J 6.5X10.5	1	999-61302-050
340	52	668-6066	BEARING STOPPER	1	040-32250-20
341	53	669-5565	BALL BEARING #6205Z, 52MM/OD	1	999-61620-502
342	54	669-5208	WAVE WASHER B.B.	1	992-09520-030
343	55	669-5300	STOP RING C-52, INNER	1	993-51052-002
344	56	668-5825	DRIVE SHAFT	1	022-32250-20
345	58	669-3554	PIN	2	820-32250-20
346	59	669-3558	SNAP PIN 8	2	821-32203-20

形 名

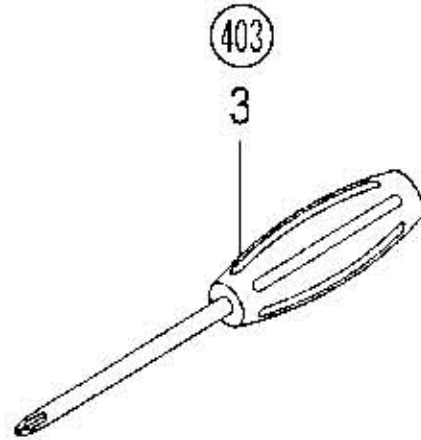
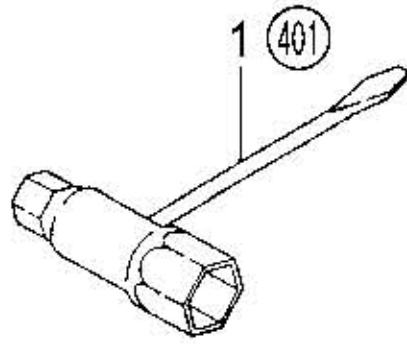
TEA500-8

S06-09 HANDLE



HITACHI NUMBER	REF. NUMBER	PARTS NUMBER	DESCRIPTION	Q'TY	TANAKA PARTS NUMBER
S06-09 HANDLE					
361	1	668-8342	HANDLE	2	256-32250-20
362	2	668-6351	HANDLE GRIP	4	055-32250-20
364	4	669-6373	HANDLE BRACKET	2	266-32250-21
365	5	669-5132	NUT 10	4	991-01100-013
366	6	668-8417	KNOB COMP.	4	267-32250-80
367	11	669-3930	THROTTLE WIRE COMP.	1	885-10244-80
368	12	668-7880	STOP CORD COMP.	1	178-10244-80
369	16	669-4992	BOLT 6X35	4	990-21060-351
370	17	668-4639	WASHER 6	6	992-01060-011
371	18	668-6801	THROTTLE LEVER COMP.	2	101-32250-80
372	19	669-5159	U-NUT 6	4	991-74060-010
373	20	668-6434	PUSH PIN COMP.	1	064-33225-80
374	21	669-6370	STOP SWITCH BRACKET	2	163-32250-20
375	22	668-7502	STOP SWITCH ASS'Y	2	162-01570-90
376	23	668-7949	SWITCH NAME PLATE	2	183-01300-20
377	26	669-1822	ANTI-VIBE RUBBER	1	599-00601-20
378	30	668-8022	CORD CLAMP	3	198-33576-20
380	32	668-7616	PROTECTION TUBE 13X680L	1	164-13068-00
381	33	668-7614	PROTECTION TUBE 13X500L	1	164-13050-00

S06-10 TOOLS & OPTIONAL PARTS



HITACHI NUMBER	REF. NUMBER	PARTS NUMBER	DESCRIPTION	Q'TY	TANAKA PARTS NUMBER
S06-10 TOOLS & OPTIONAL PARTS					
401	1	668-5257	COMBI BOX SPANNER 10/19MM	1	013-29323-50
402	2	669-3479	SPANNER 10X13	1	808-20000-20
403	3	669-3665	PLUS DRIVER 4	1	862-20000-20
404	4	669-3498	SPANNER 13X17	1	810-20000-20