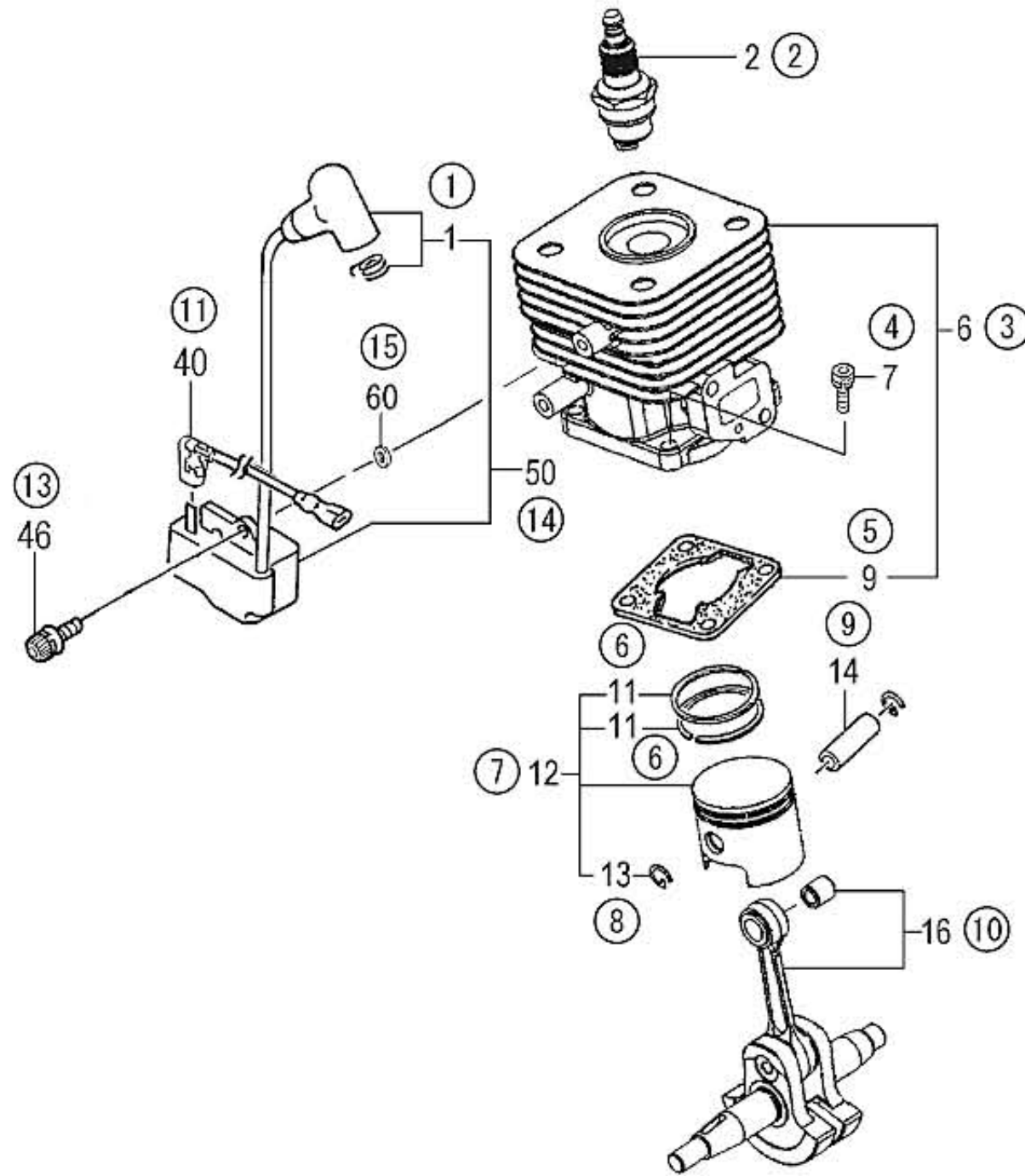
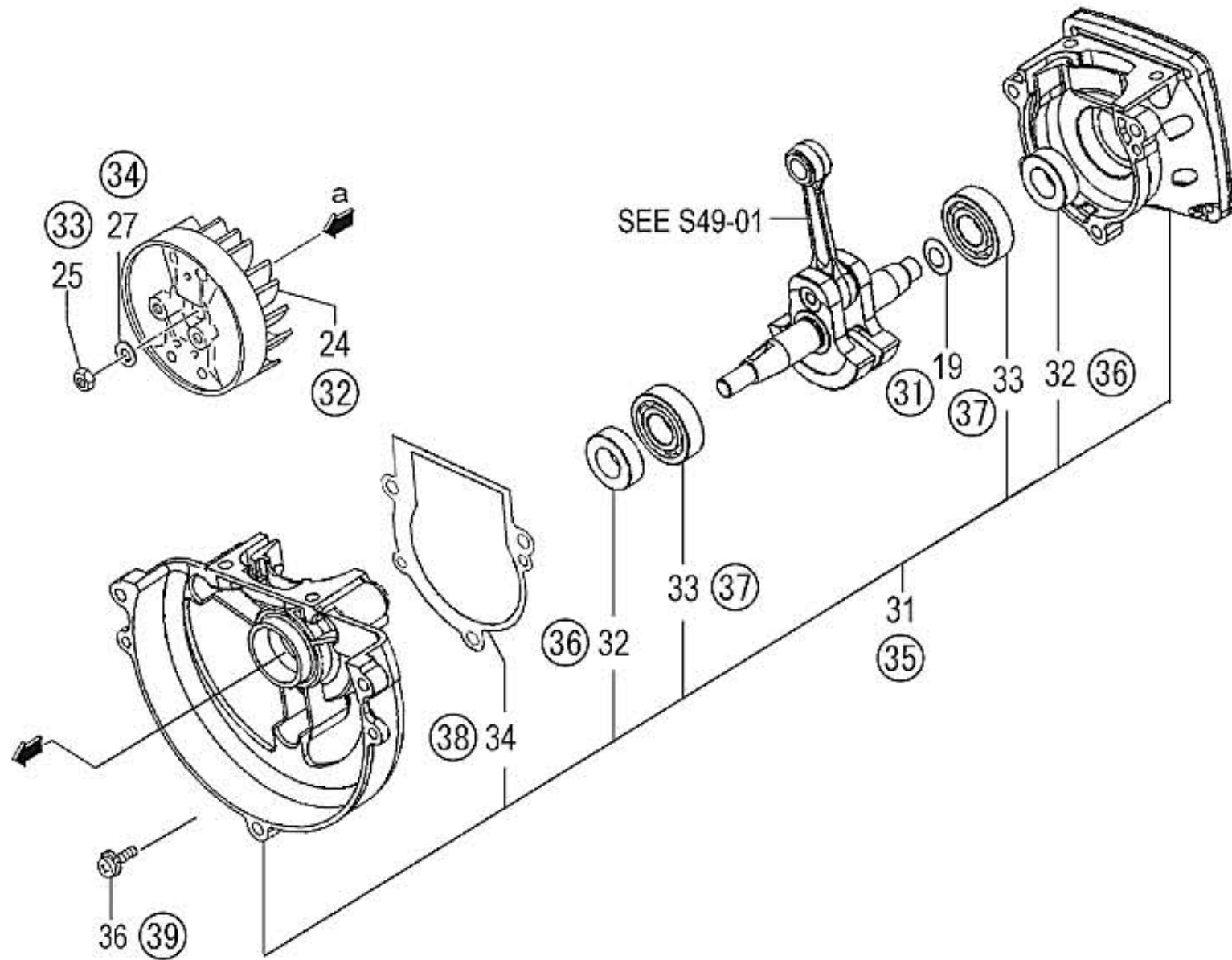


# S49-01 CYLINDER/PISTON/CRANK SHAFT



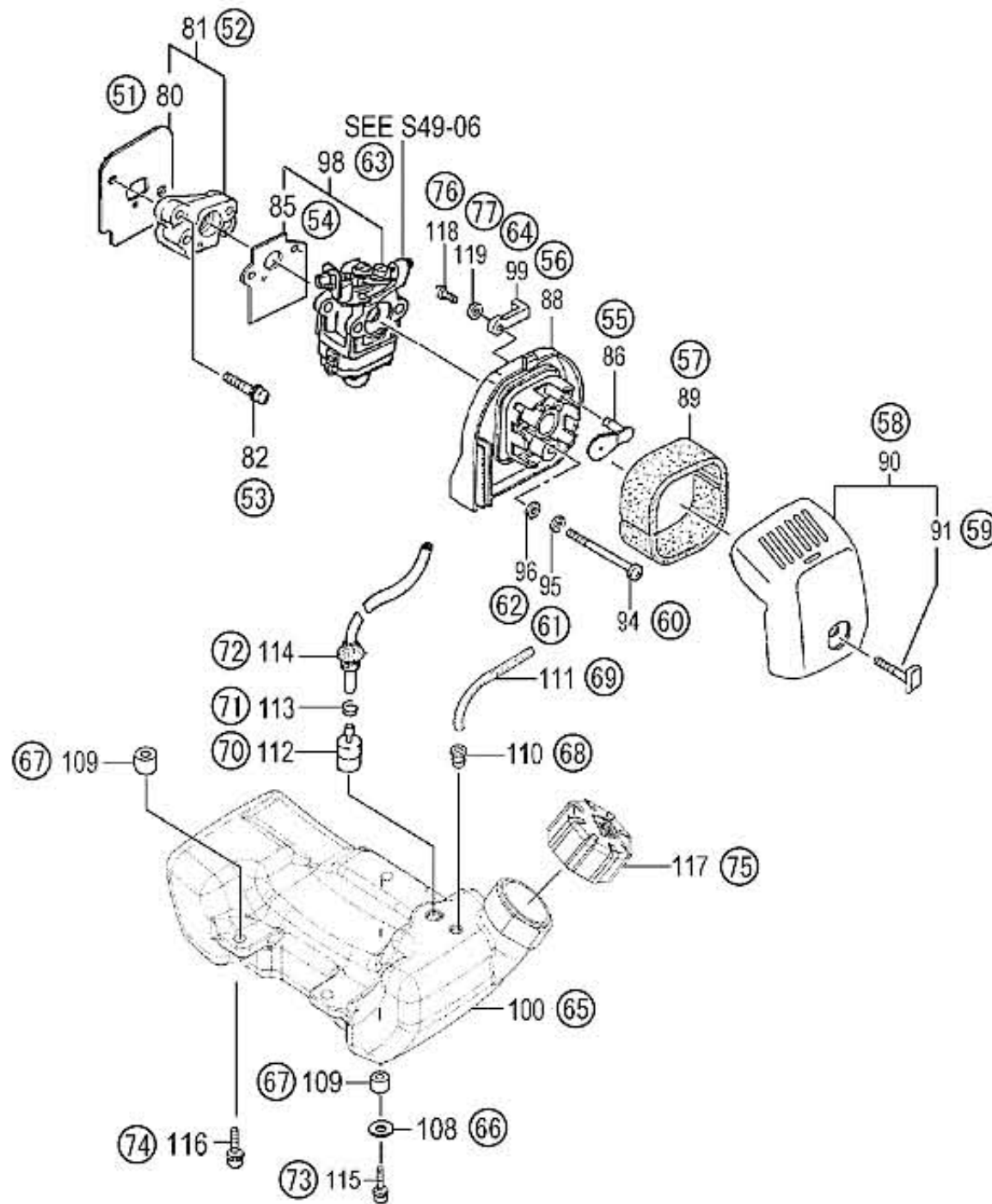
HITACHI NUMBER	REF. NUMBER	PARTS NUMBER	DESCRIPTION	Q'TY	TANAKA PARTS NUMBER
<b>S49-01 CYLINDER/PISTON/CRANK SHAFT</b>					
1	1	668-4894	PLUG CAP ASS'Y	1	157-01680-90
2	2	668-5771	SPARK PLUG CJ8	1	018-01805-20
3	6	668-5495	CYLINDER SET	1	001-0740A-90
4	7	668-4586	HEX.HOLE BOLT M5X18/S	4	994-61050-184
5	9	668-4896	CYLINDER GASKET	1	017-07350-20
6	11	668-6121	PISTON RING	2	041-01700-20
7	12	668-5902	PISTON SET	1	030-07350-90
8	13	668-4590	PISTON PIN CIRCLIP	2	039-00601-20
9	14	668-4591	PISTON PIN	1	037-07045-20
10	16	668-6219	CRANK SHAFT COMP.	1	046-07350-82
11	40	668-7836	STOP CORD B 190M	1	178-01680-80
13	46	668-4599	HEX.HOLE BOLT M4X18/WS	2	994-64040-184
14	50	668-7689	IGNITION COIL ASS'Y	1	167-21015-90
15	60	668-4600	WASHER	2	182-0186A-20

# S49-02 CRANK CASE



HITACHI NUMBER	REF. NUMBER	PARTS NUMBER	DESCRIPTION	Q'TY	TANAKA PARTS NUMBER
<b>S49-02 CRANK CASE</b>					
31	19	668-4604	GEAR SHAFT SHIM 0.20	V	330-00200-23
31	19	668-4605	GEAR SHAFT SHIM 0.30	V	330-00200-24
32	24	668-7385	MAGNETO ROTOR COMP. FW-	1	155-21014-80
33	25	668-4612	HEX.NUT M8	1	991-01080-011
34	27	668-4611	WASHER M8	1	992-01080-011
35	31	668-4905	CRANK CASE ASS'Y	1	072-03045-94
36	32	668-4607	OIL SEAL TB 12227	2	999-66122-200
37	33	669-5535	BALL BEARING 6001 C3	2	999-61600-115
38	34	668-4904	CRANK CASE GASKET	1	090-07350-22
39	36	668-4903	HEX.HOLE BOLT M5X16/S	4	994-61050-164

# S49-03 ENGINE-1

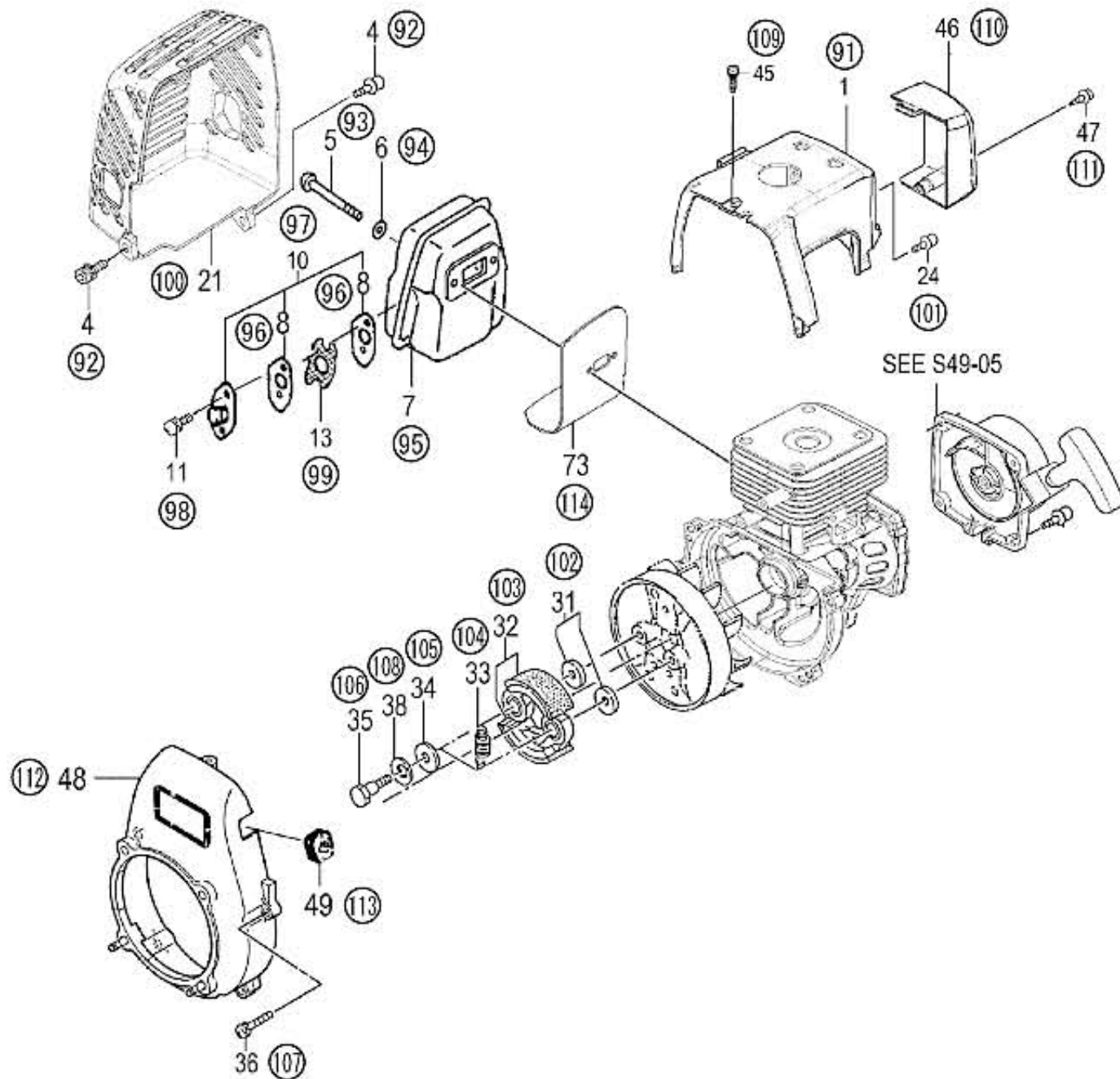


HITACHI NUMBER	REF. NUMBER	PARTS NUMBER	DESCRIPTION	Q'TY	TANAKA PARTS NUMBER
<b>S49-03 ENGINE-1</b>					
51	80	668-9895	INLET MANIFOLD GASKET	1	403-07020-21
52	81	668-9972	INSULATOR SET	1	404-07020-91
53	82	668-4617	HEX. HOLE BOLT 5X25/WS	2	994-64050-255
54	85	668-4616	CARBURETOR GASKET	1	402-0656A-20
55	86	669-1276	CHOKE PLATE 2.0	1	528-0652N-22
56	88	669-0120	CLEANER BODY COMP.	1	423-0652N-80
57	89	669-0365	CLEANER SPONGE	1	446-0652N-20
58	90	669-0402	CLEANER COVER ASS'Y	1	452-03046-90
59	91	669-0384	COVER FIXING BOLT	1	450-07024-80
60	94	669-4914	SCREW 5X55	2	990-11050-552
61	95	668-4662	S.WASHER 5	2	992-10050-012
62	96	668-4864	SMALL WASHER 5	2	992-00050-011
63	98	669-0522	CABURETOR SET WYJ-463	1	455-0740A-90
64	99	669-1239	CHOKE CONTROL LEVER	1	523-0652N-20
65	100	669-1602	TANK WHT	1	591-07350-22
65	100	669-1605	TANK (EVAPO)	1	591-0735F-20
66	108	668-9681	BRAKE SHAFT WASHER	1	368-32350-20
67	109	669-2244	COLLAR 5.8	3	659-00801-20
68	110	668-4627	RETURN GROMMET	1	534-32710-20
69	111	668-4626	FUEL PIPE 3X5X65	1	700-03005-06
70	112	668-4620	PUMP FILTER BODY COMP.	1	675-04042-80
71	113	668-4619	CLIP,6.3 DIA.	1	680-00731-20
72	114	668-4618	FUEL PIPE ASS'Y	1	223-0097A-90
73	115	669-5506	HEX HOLE BOLT 5X20PS	1	994-63050-205
74	116	669-5504	HEX.HOLE BOLT 5X16/PS	3	994-63050-164
75	117	669-1748	TANK CAP D ASS'Y	1	595-03002-90
76	118	669-5280	TAP SCREW 4X14 P	1	993-49040-142
77	119	668-5070	BOLT WASHER M4	1	992-01040-011

形 名

TED270PFDH

# S49-04 ENGINE-2

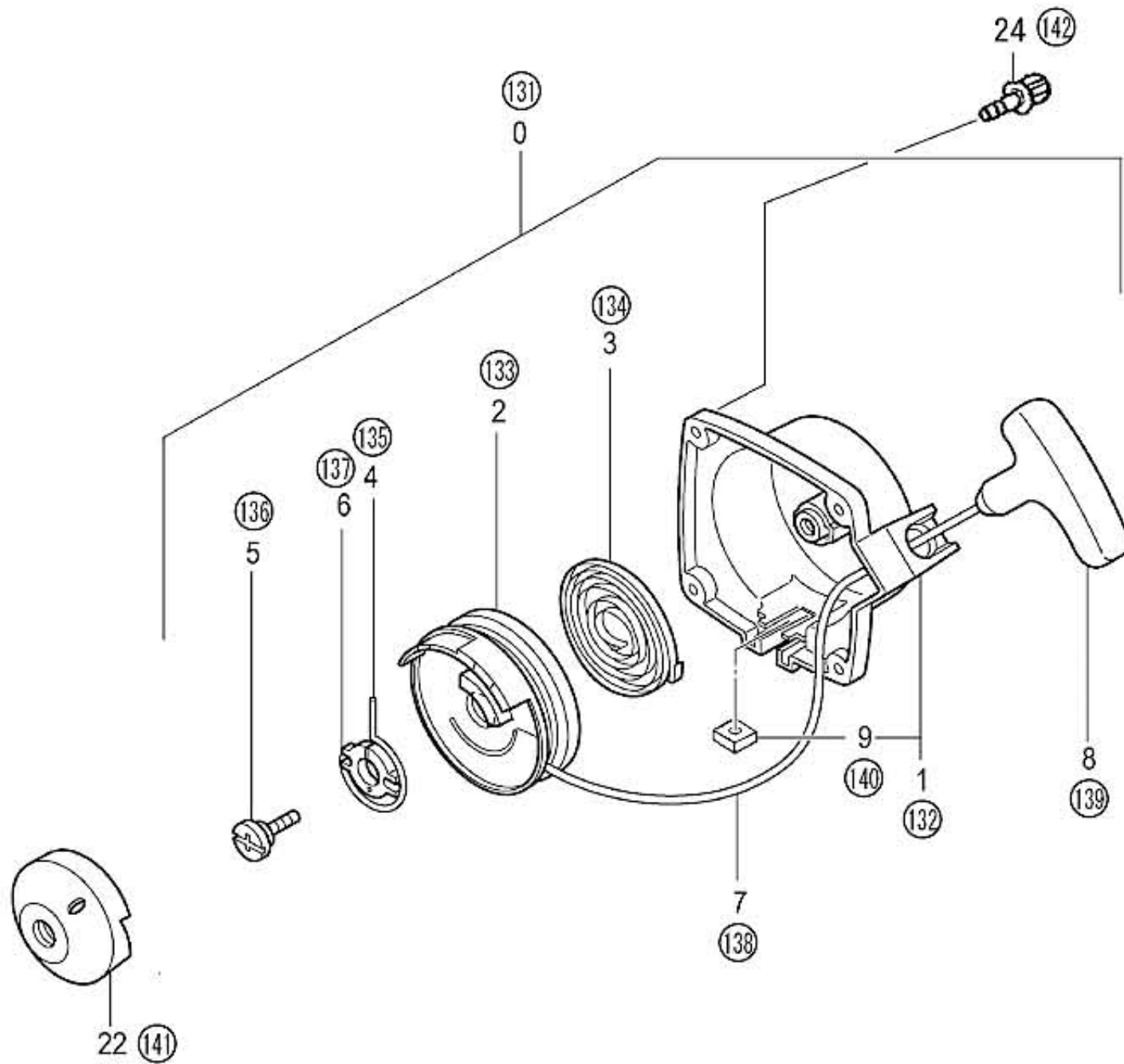


HITACHI NUMBER	REF. NUMBER	PARTS NUMBER	DESCRIPTION	Q'TY	TANAKA PARTS NUMBER
<b>S49-04 ENGINE-2</b>					
91	1	668-5693	CYLINDER COVER (BLK)	1	016-07500-20
92	4	669-5504	HEX.HOLE BOLT 5X16/PS	2	994-63050-164
93	5	669-5067	HEX.HOLE BOLT 6X65	2	990-51060-653
94	6	668-4639	WASHER 6	2	992-01060-011
95	7	669-2575	MUFFLER COMP.	1	706-0740A-80
96	8	669-2886	MUFFLER SPECIAL GASKET	2	751-06500-20
97	10	669-2716	TAIL PIPE SET	1	734-0740A-90
98	11	668-4651	SCREW M4X8/WS	2	994-36040-081
99	13	669-2702	SPARK ARRESTER	1	732-0740A-20
100	21	669-2817	MUFFLER PROTECTOR	1	738-0740A-80
101	24	669-5508	HEX. HOLE BOLT 4X18WS	2	994-64040-185
102	31	668-4642	CLUTCH WASHER B	2	359-02103-20
103	32	668-4643	CLUTCH SHOE COMP.	2	290-01620-80
104	33	668-4644	CLUTCH SPRING	1	342-0630B-20
105	34	668-4645	CLUTCH PLATE A 0.5	2	348-0630A-20
106	35	668-4646	STEP BOLT	2	357-0075T-20
107	36	668-4647	HEX.HOLE BOLT M5X18/WS	3	994-64050-184
108	38	668-4648	BENT WASHER 8	2	992-05080-030
109	45	668-4682	HEX.HOLE BOLT 4X15/PS	1	994-63040-154
110	46	668-7217	DEFLECTOR BLACK	1	132-0740C-20
111	47	668-4751	TAPPING SCREW 4X14	1	993-48040-142
112	48	668-7039	FAN CASE COMP. OR	1	112-0740C-80
113	49	668-8057	PRIMARY CORD GROMMET	1	203-11660-20
114	73	668-7265	HEAT SHIELD	1	133-07500-20

形 名

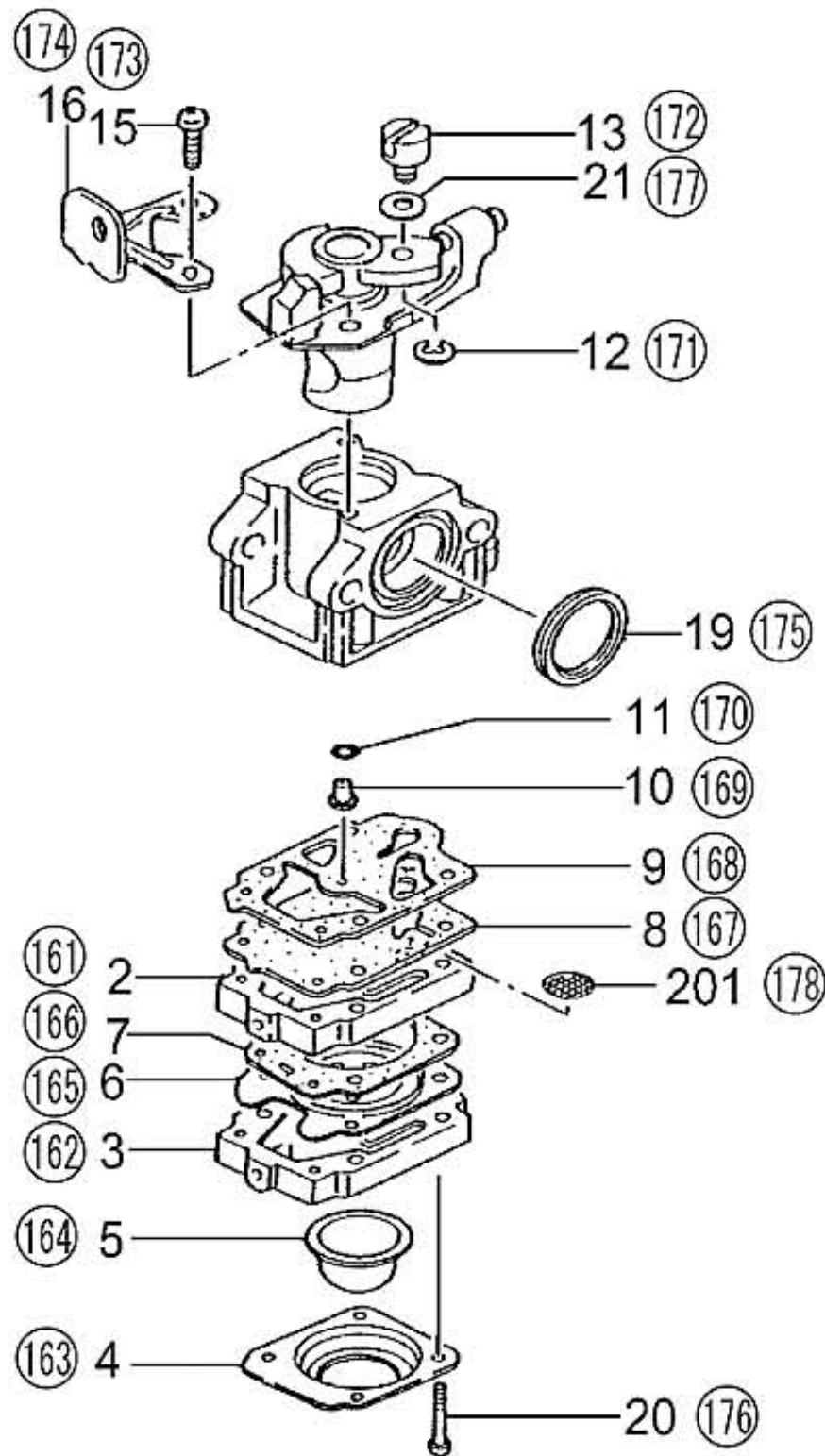
TED270PFDH

# S49-05 RECOIL STARTER



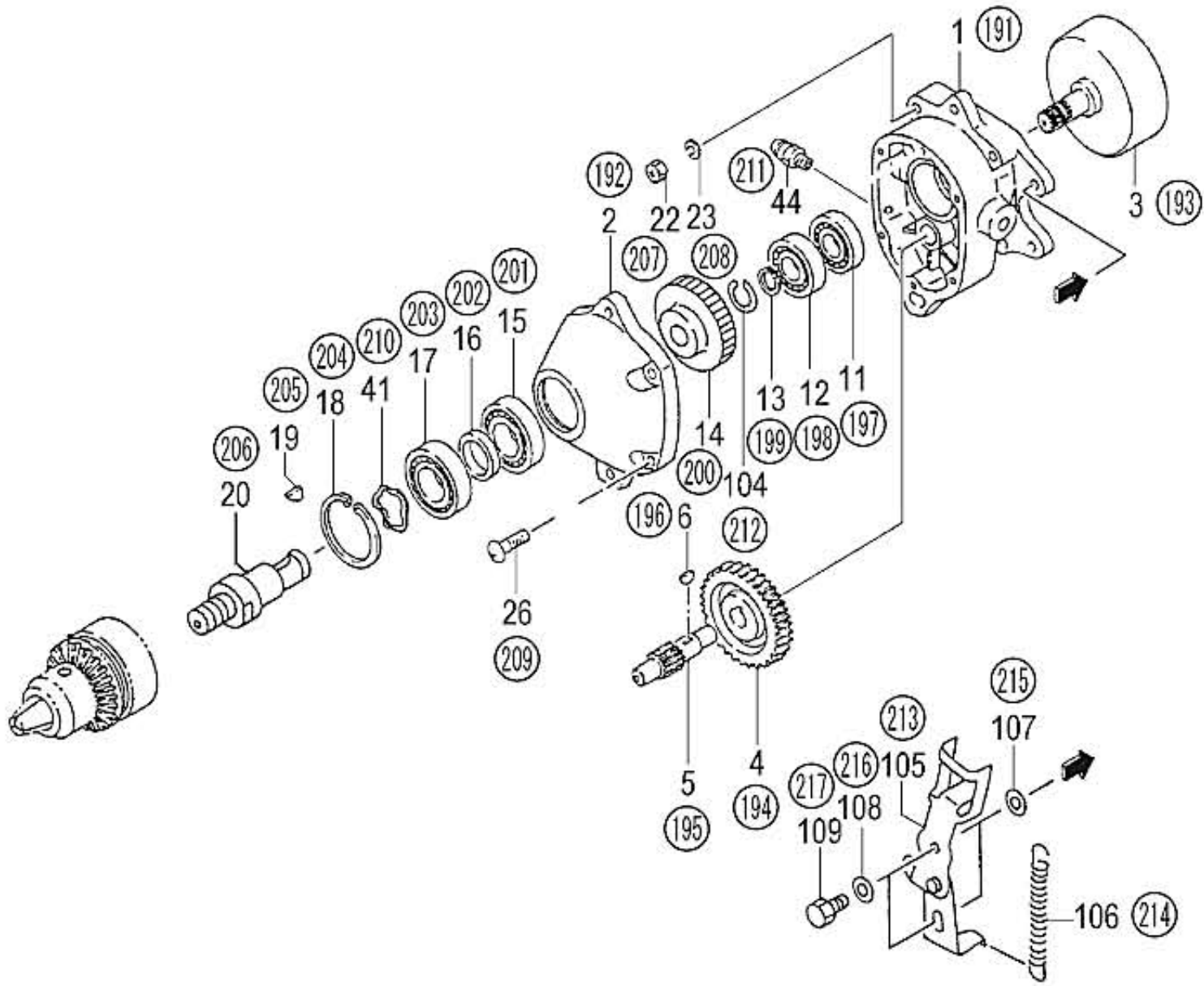
HITACHI NUMBER	REF. NUMBER	PARTS NUMBER	DESCRIPTION	Q'TY	TANAKA PARTS NUMBER
		<b>S49-05 RECOIL STARTER</b>			
131	0	668-4938	RECOIL STARTER BODY ASS'Y	1	762-03045-90
132	1	668-4944	RECOIL STARTER BODY COMP.	1	772-03045-80
133	2	668-4941	STARTER ROPE REEL	1	774-03045-20
134	3	668-4942	RECOIL SPRING	1	779-03045-20
135	4	668-4940	SWING ARM	1	777-03045-20
136	5	668-4679	SET SCREW	1	839-03045-20
137	6	668-4939	PULLEY STAY	1	771-03045-20
138	7	668-4943	ROPE 3.0X800	1	783-03045-20
139	8	668-4680	STARTER HANDLE	1	785-03045-20
140	9	668-5000	SPECIAL NUT M5	1	315-33340-20
141	22	668-4937	STARTER PULLEY	1	798-03045-20
142	24	669-5508	HEX. HOLE BOLT 4X18WS	2	994-64040-185

# S49-06 CARBURETOR



HITACHI NUMBER	REF. NUMBER	PARTS NUMBER	DESCRIPTION	Q'TY	TANAKA PARTS NUMBER
<b>S49-06 CARBURETOR</b>					
161	2	668-4879	PUMP BODY COMP.	1	575-25153-80
162	3	668-4687	PRIMING PUMP COMP.	1	442-25151-80
163	4	668-4688	DIAPHRAGM COVER	1	476-25151-20
164	5	668-4689	PRIMING BODY	1	447-25108-20
165	6	668-4690	METERING DIAPHRAGM COMP.	1	474-25601-20
166	7	668-4691	DIAPHRAGM GASKET	1	475-25153-20
167	8	668-4693	PUMP DIAPHRAGM	1	576-25100-20
168	9	668-4692	PUMP GASKET	1	577-25292-20
169	10	669-6130	MAIN JET #38.5	1	599-200BW-38
170	11	668-4695	O-RING	1	550-25100-20
171	12	668-4696	STOP RING	1	489-25100-20
172	13	668-4697	SWIVEL	1	539-25120-20
173	15	668-4870	THROTTLE SET SCREW	2	514-25100-20
174	16	668-4873	CABLE ADJUSTER STAY	1	544-25164-20
175	19	668-4875	CLEANER PACKING	1	431-0634C-20
176	20	668-4699	SET SCREW	4	548-25151-20
177	21	668-4874	THRUST WASHER	1	549-25165-20
178	201	668-4700	INLET SCREEN	1	578-25007-20

# S49-07 GEAR CASE

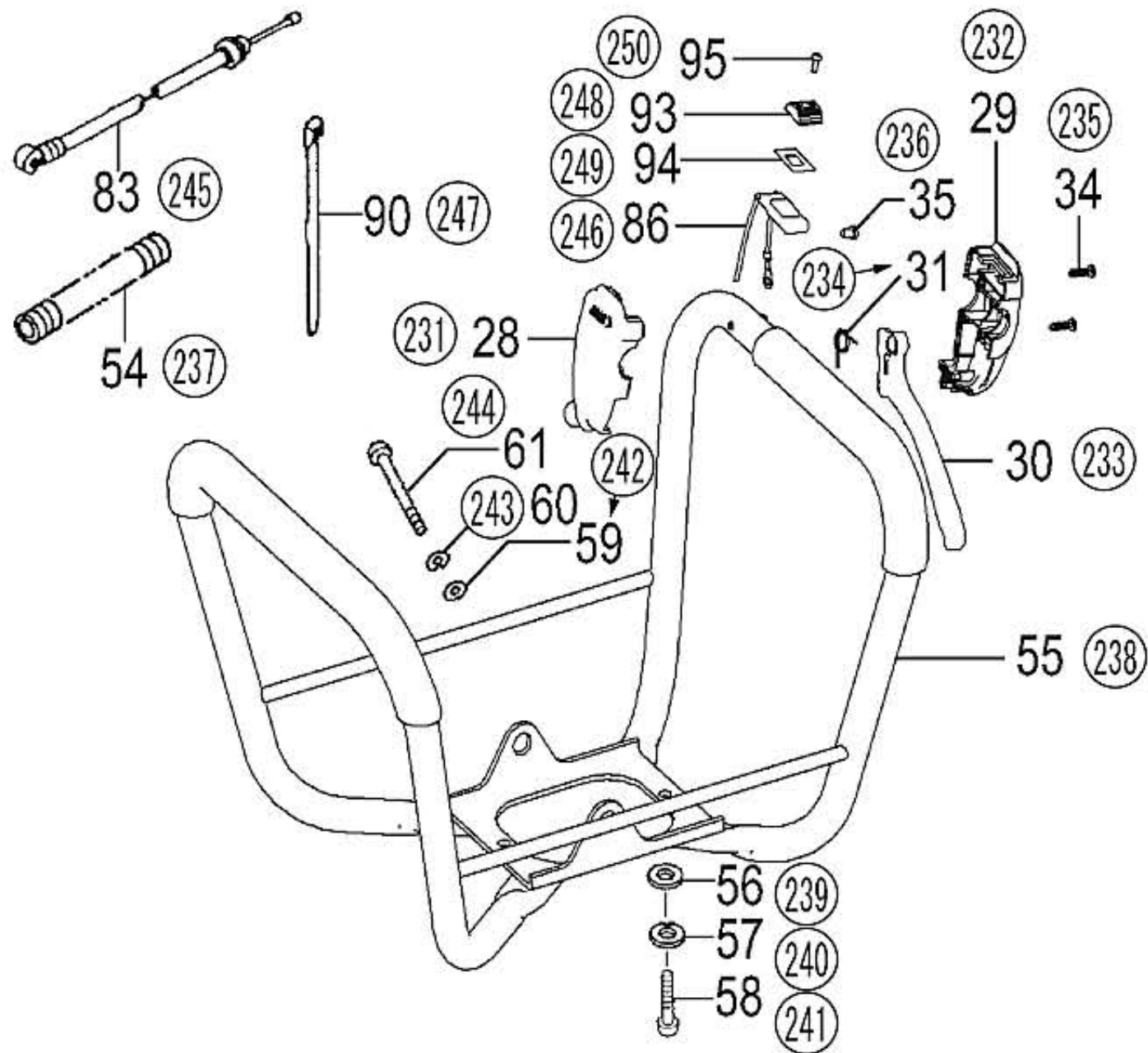


HITACHI NUMBER	REF. NUMBER	PARTS NUMBER	DESCRIPTION	Q'TY	TANAKA PARTS NUMBER
<b>S49-07 GEAR CASE</b>					
191	1	668-5578	GEAR CASE A COMP.	1	002-32182-80
192	2	668-5593	GEAR CASE B COMP.	1	006-3210A-80
193	3	668-8210	CLUTCH HOUSING COMP.	1	226-71010-80
194	4	668-5656	GEAR 2	1	012-32191-20
195	5	668-5702	GEAR 3	1	016-32120-21
196	6	668-6454	WOOD-RUFF KEY 3X10X3.7	1	068-00300-20
197	11	669-5532	BALL BEARING #6001Z, 28MM/OD	1	999-61600-102
198	12	669-5534	BALL BEARING #16001	1	999-61600-110
199	13	669-5282	STOP RING C 11, OUTER	1	993-50011-002
200	14	668-5788	GEAR 4	1	018-32192-20
201	15	669-5587	BALL BEARING #7202B, 35MM/OD	1	999-61720-221
202	16	668-6065	WASHAER C 5.0	1	040-32120-20
203	17	669-5559	BALL BEARING #6202Z, 35MM/OD	1	999-61620-202
204	18	669-5296	STOP RING C-35, INNER	1	993-51035-002
205	19	668-6455	WOOD-RUFF KEY 3X13X5	1	068-01006-20
206	20	668-5824	DRIVE SHAFT	1	022-32183-20
207	22	668-4792	NUT M6	4	991-01060-011
208	23	669-5219	S.WASHER 6	4	992-10060-012
209	26	669-5339	SCREW 5X18/S	4	994-14050-181
210	41	669-5206	WAVE WASHER B.B 35	1	992-09350-030
211	44	668-8643	GREASE NIPPLE COMP.	1	300-32250-80
212	104	669-5283	STOP RING C-13, OUTER	1	993-50013-002
213	105	668-9992	LOCK LEVER COMP.	1	405-32182-81
214	106	668-9998	LOCK LEVER SPRING	1	406-32182-20
215	107	668-7942	SPECIAL WASHER	2	182-01700-20
216	108	668-5103	BOLT WASHER M7	2	992-01070-011
217	109	669-3366	STEP BOLT	2	793-10200-20

形 名

TED270PFDH

# S49-08 HANDLE/LEVER



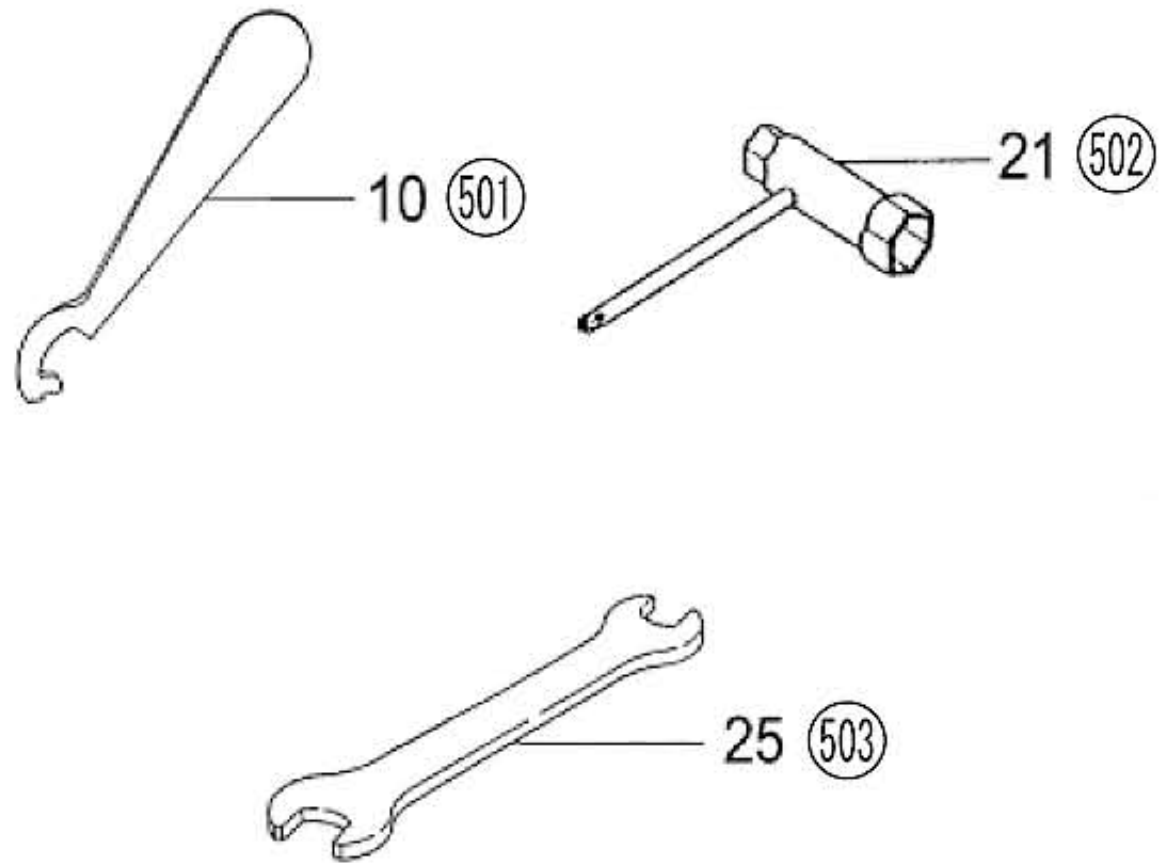
HITACHI NUMBER	REF. NUMBER	PARTS NUMBER	DESCRIPTION	Q'TY	TANAKA PARTS NUMBER
<b>S49-08 HANDLE/LEVER</b>					
231	28	669-3795	THROTTLE BODY A	1	875-71020-20
232	29	669-3818	THROTTLE BODY B	1	884-71020-20
233	30	668-6402	THROTTLE LEVER DH	1	060-71026-20
234	31	668-6421	THROTTLE LEVER SPRING	1	061-71020-20
235	34	669-5280	TAP SCREW 4X14 P	2	993-49040-142
236	35	669-4860	SCREW 4X6	1	990-11040-061
237	54	668-7537	PROTECTION TUBE 7X530L	1	164-07053-00
238	55	668-6256	HANDLE COMP	1	049-71026-80
239	56	669-5219	S.WASHER 6	2	992-10060-012
240	57	668-4639	WASHER 6	2	992-01060-011
241	58	669-5015	PLUS BOLT 6X12	2	990-23060-121
242	59	669-5198	WASHER 10	2	992-01100-011
243	60	669-5225	S.WASHER 10	2	992-10100-01
244	61	669-5005	BOLT 10X20	2	990-21100-201
245	83	669-3989	THROTTLE WIRE 585+32	1	885-71026-80
246	86	668-7777	STOP SWITCH COMP.	1	170-71026-80
247	90	668-8015	CORD CLAMP	1	198-33130-20
248	93	668-8366	BUTTON STOP	1	258-11650-20
249	94	669-4588	STOP BUTTON MARK	1	925-33160-20
250	95	668-4913	SCREW 3X10	1	994-31030-101

形 名

TED270PFDH



# S49-09 ACCESSORIES/TOOLS



HITACHI NUMBER	REF. NUMBER	PARTS NUMBER	DESCRIPTION	Q'TY	TANAKA PARTS NUMBER
<b>S49-09 ACCESSORIES/TOOLS</b>					
501	10	669-3647	SPECIAL WRENCH 31	1	845-20000-20
502	21	668-5999	COMBI BOX SPANNER 10X19	1	036-29710-11
503	25	668-6251	SPANNER 17X19	1	049-29321-75