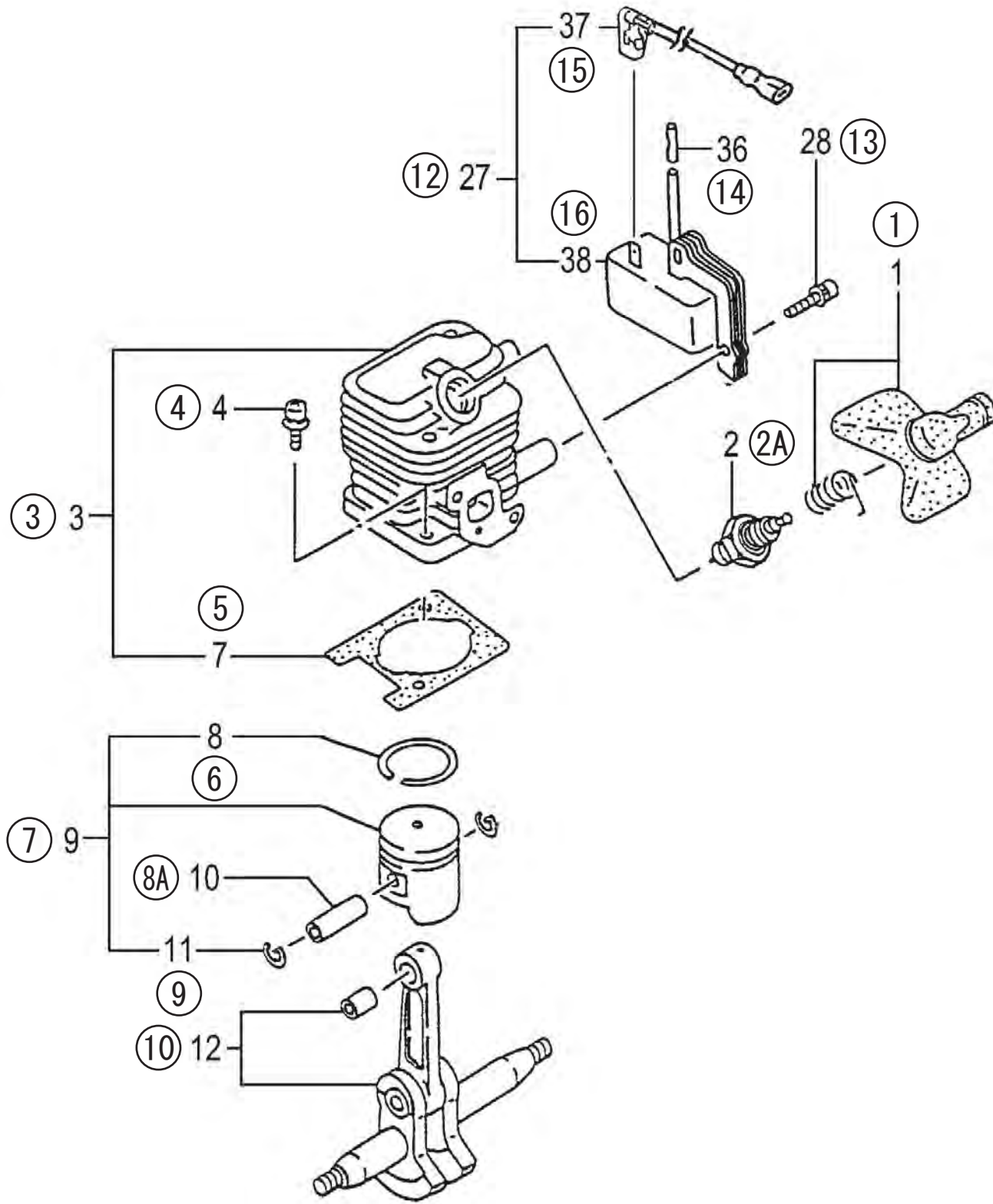
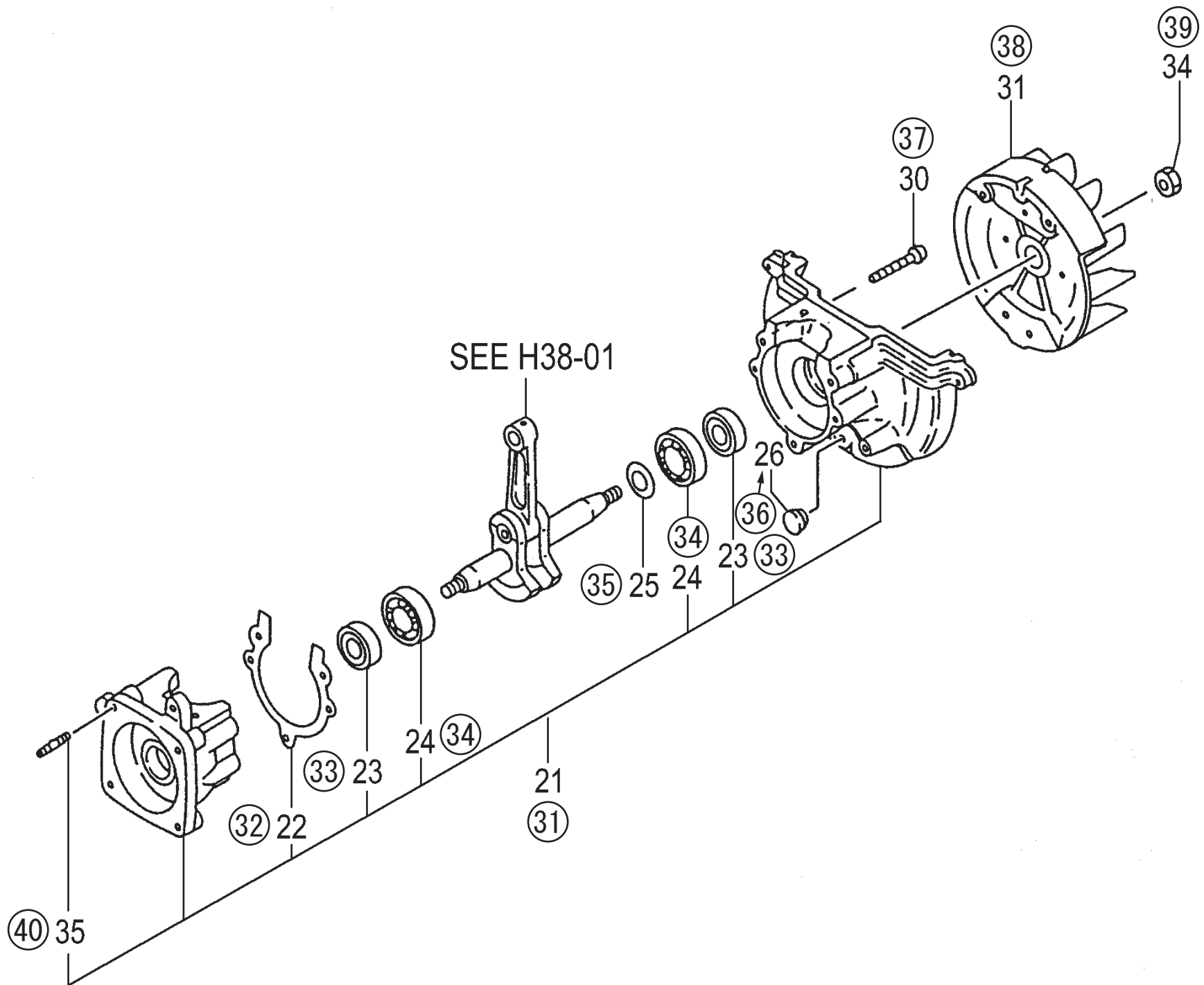


H38-01 CYLINDER/PISTON/CRANK SHAFT



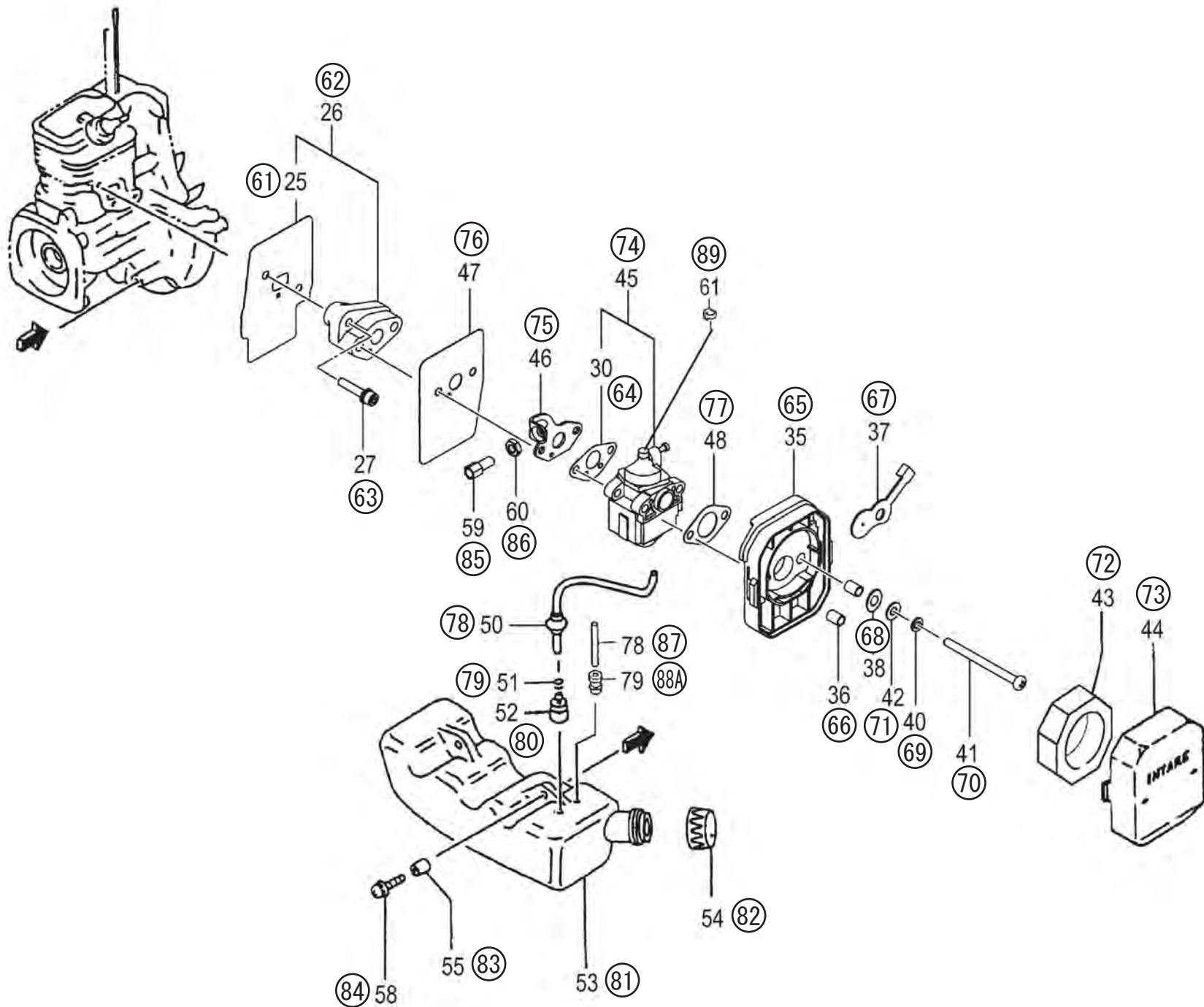
HITACHI NUMBER	REF. NUMBER	PARTS NUMBER	DESCRIPTION	Q'TY	TANAKA PARTS NUMBER
H38-01 CYLINDER/PISTON/CRANK SHAFT					
1	1	668-7476	SPARK PLUG CAP ASS'Y	1	157-06500-91
2	2	668-5085	SPARK PLUG BPM6A	1	018-11660-21
3	3	668-5480	CYLINDER SET	1	001-0650A-90
4	4	668-4586	HEX.HOLE BOLT M5X18/S	2	994-61050-184
5	7	668-5744	CYLINDER GASKET	1	017-06500-20
6	8	668-6118	PISTON RING	1	041-00601-21
7	9	668-5869	PISTON SET	1	030-00070-90
8	10	668-6015	PISTON PIN	1	037-06500-20
9	11	668-4590	PISTON PIN CIRCLIP	2	039-00601-20
10	12	668-6208	CRANK SHAFT COMP	1	046-06621-80
12	27	669-7150	IGNITION COIL ASS'Y	1	153-21550-91
13	28	668-4599	HEX.HOLE BOLT M4X18/WS	2	994-64040-184
14	36	668-4597	INSULATOR TUBE 50L	1	250-06500-20
15	37	668-7918	CORD 200M	1	178-51705-80
16	38	669-5939	IGNITION COIL COMP	1	167-21550-81

H38-02 CRANK CASE



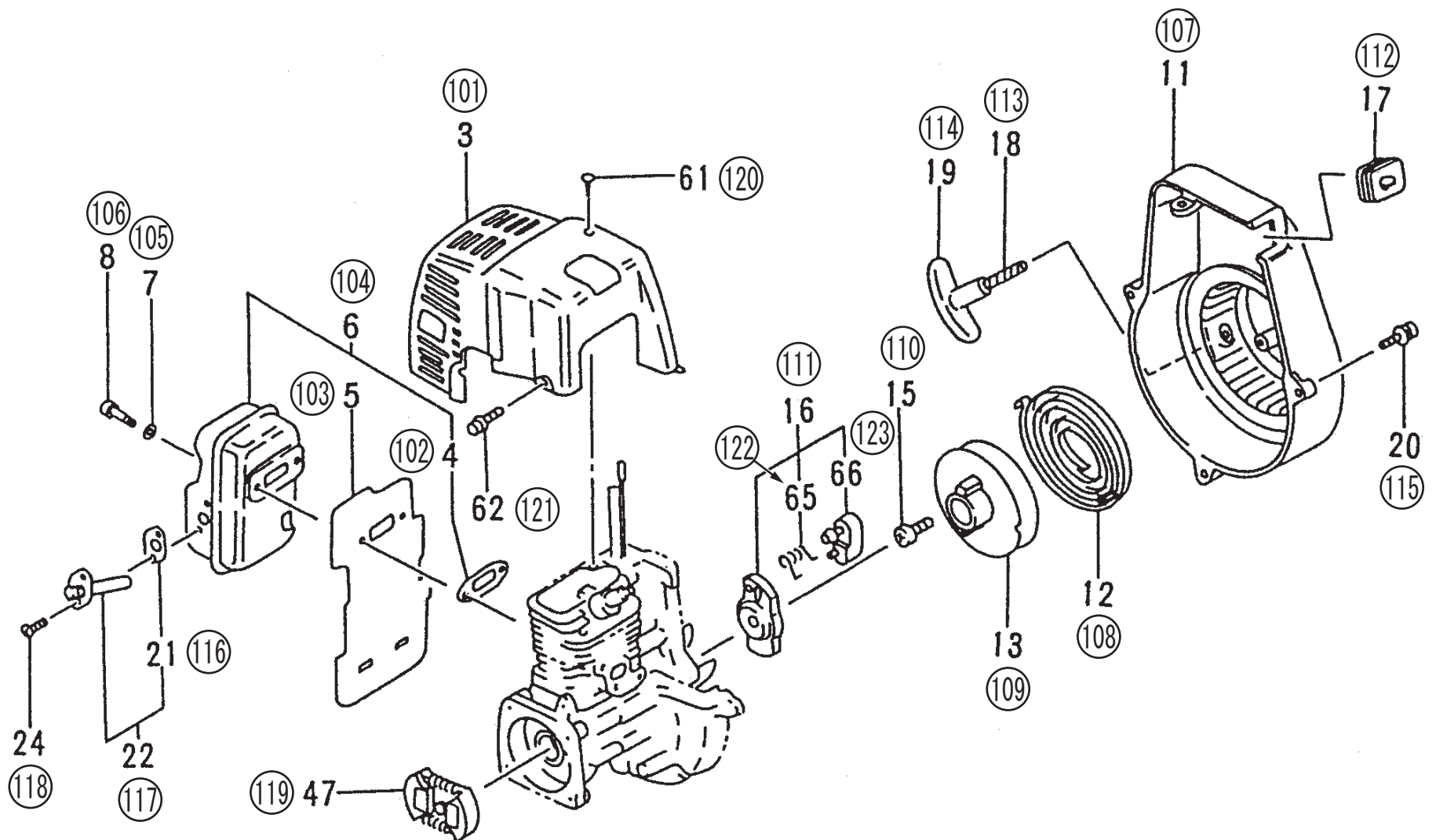
HITACHI NUMBER	REF. NUMBER	PARTS NUMBER	DESCRIPTION	Q'TY	TANAKA PARTS NUMBER
H38-02 CRANK CASE					
31	21	668-6574	CRANK CASE ASS'Y	1	072-06500-90
32	22	668-6720	CRANKCASE GASKET	1	090-06500-20
33	23	668-4607	OIL SEAL TB 12227	2	999-66122-200
34	24	669-5535	BALL BEARING 6001 C3	2	999-61600-115
35	25	668-9177	GEAR SHAFT SHIM 0.10	V	330-00200-21
35	25	668-9178	GEAR SHAFT SHIM 0.15	V	330-00200-22
35	25	668-4604	GEAR SHAFT SHIM 0.20	V	330-00200-23
35	25	668-4605	GEAR SHAFT SHIM 0.30	V	330-00200-24
36	26	669-1822	ANTI-VIBE RUBBER	1	599-00601-20
37	30	668-4786	HEX. SOCKET HD. BOLT M5X30 S	3	994-61050-304
38	31	668-7396	MAGNETO ROTOR COMP.	1	155-21549-80
39	34	668-4612	HEX.NUT M8	1	991-01080-011
40	35	668-6771	STUD BOLT 6X22	2	100-02100-20

H38-03 ENGINE-1



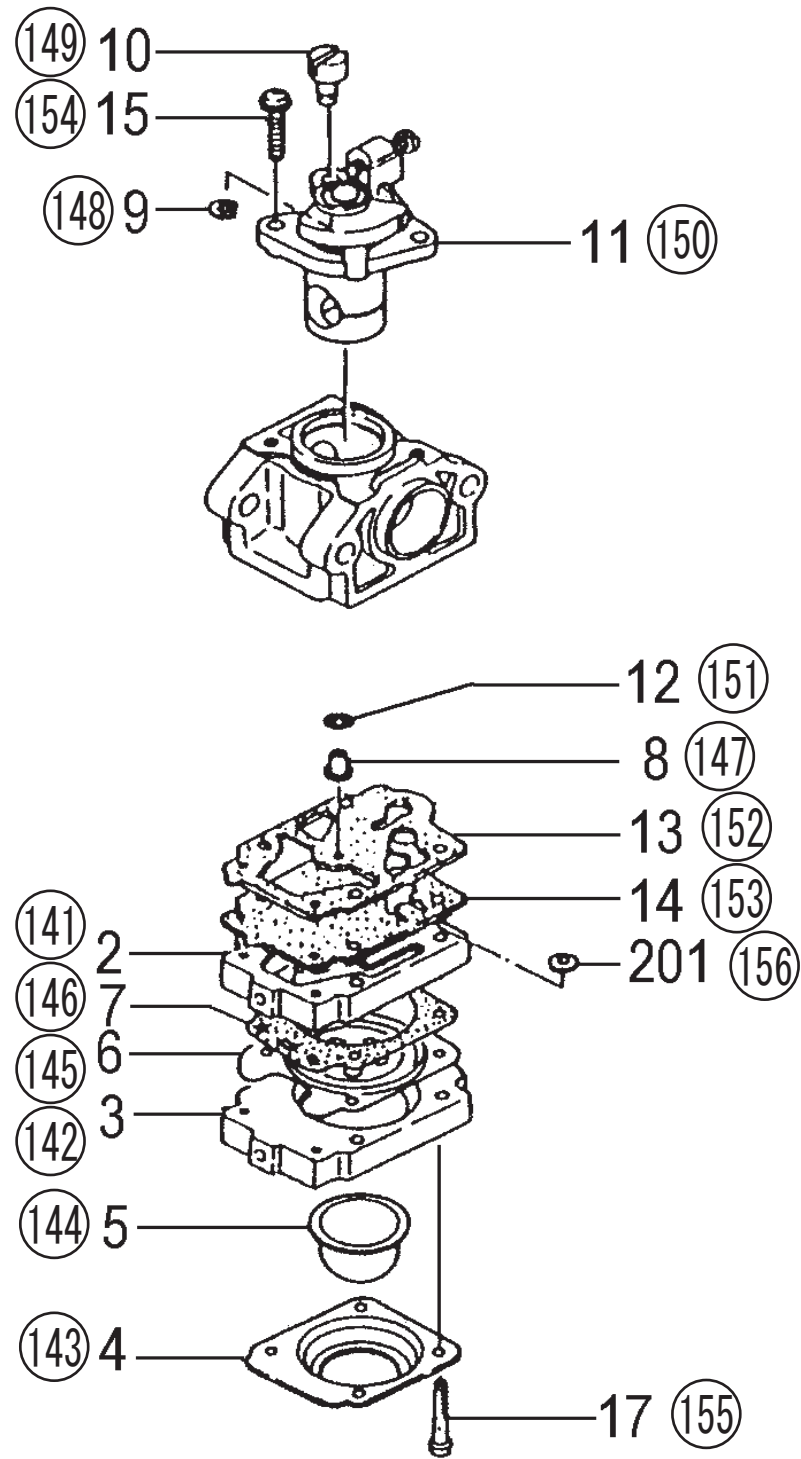
HITACHI NUMBER	REF. NUMBER	PARTS NUMBER	DESCRIPTION	Q'TY	TANAKA PARTS NUMBER
H38-03 ENGINE-1					
61	25	668-9891	INTAKE PIPE GASKET	1	403-06500-20
62	26	668-9966	CARB. INSULATOR SET,SPARE	1	404-06500-90
63	27	669-5515	HEX. HOLE BOLT 5X25WS	2	994-64050-254
64	30	668-4615	CARBURETOR GASKET	1	402-0602K-21
65	35	669-0091	CLEANER BODY COMP.	1	423-0072Z-81
66	36	669-0801	COLLAR	2	470-00025-20
67	37	669-1267	CHOKE PLATE,W/1.5MM HOLE	1	528-0602K-20
68	38	668-4859	SPACER	1	453-0602K-20
69	40	668-4662	S.WASHER 5	2	992-10050-012
70	41	669-4918	SCREW 5X65	2	990-11050-652
71	42	668-4661	WASHER 5	2	992-01050-011
72	43	669-0350	CLEANER ELEMENT	1	446-0072Z-20
73	44	669-0142	AIR CLEANER CAP	1	424-0072Z-20
74	45	669-0495	CARBURETOR SET WYL212	1	455-06622-90
75	46	668-4629	THROTTLE WIRE FIXING PLATE	1	878-06620-20
76	47	668-9839	CARBURETOR GASKET	1	402-06500-20
77	48	669-0184	CLEANER GASKET	1	431-06020-20
78	50	668-5247	SHIELD TUBE ASS'Y	1	223-06500-90
79	51	668-4619	CLIP,6.3 DIA.	1	680-00731-20
80	52	668-4620	PUMP FILTER BODY COMP.	1	675-07046-80
81	53	669-1647	TANK WHT	1	591-51604-20
82	54	669-1715	TANK CAP D ASS'Y,BLACK	1	595-00073-90
83	55	669-2244	COLLAR 5.8	2	659-00801-20
84	58	669-5505	HEX. HOLE BOLT 5X18PS	2	994-63050-185
85	59	668-4871	CABLE ADJUSTER	1	614-25137-20
86	60	668-4872	LOCK NUT M6	1	991-01060-013
87	78	669-2357	FUEL PIPE 3X5X70	1	700-03005-07
88	79	668-4627	RETURN GROMMET	1	534-32710-20
89	61	668-4628	SWIVEL CAP	1	560-07120-20

H38-04 ENGINE-2



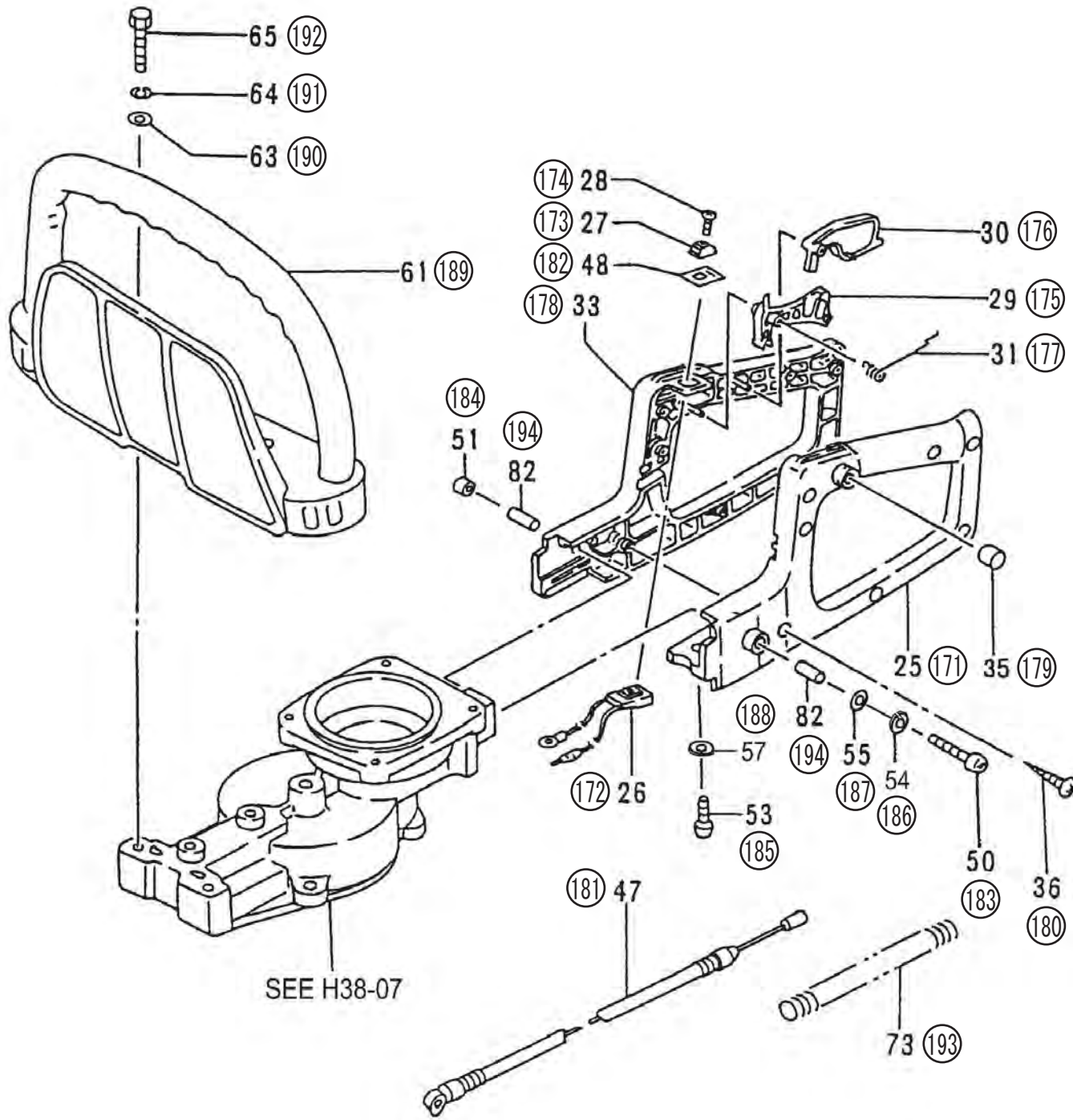
HITACHI NUMBER	REF. NUMBER	PARTS NUMBER	DESCRIPTION	Q'TY	TANAKA PARTS NUMBER
H38-04 ENGINE-2					
101	3	669-2795	MUFFLER PROTECTOR	1	738-06500-20
102	4	669-2744	MUFFLER GASKET	1	737-06500-20
103	5	668-7252	HEAT SHIELD	1	133-06500-20
104	6	669-2483	MUFFLER SET, SPARE	1	704-0651C-91
105	7	668-4661	WASHER 5	2	992-01050-011
106	8	668-5114	HEX. SOCKET HD. BOLT M5X50	2	990-51050-503
107	11	668-7010	FAN CASE COMP., VERMILION	1	112-06500-80
108	12	668-4675	RECOIL SPRING	1	780-06097-20
109	13	669-3066	STARTER ROPE REEL	1	774-06097-20
110	15	669-3633	SET SCREW	1	839-02010-20
111	16	669-3405	STARTER PULLEY ASS'Y	1	798-06500-90
112	17	668-8050	GROMMET	1	203-0604A-20
113	18	669-3168	STARTER ROPE	1	783-06097-20
114	19	669-3237	STARTER HANDLE	1	785-06410-20
115	20	668-4682	HEX. HOLE BOLT 4X15/PS	3	994-63040-154
116	21	669-2886	MUFFLER SPECIAL GASKET	1	751-06500-20
117	22	669-2657	TAIL PIPE SET	1	721-06500-91
118	24	668-5109	MACHINE SCREW (W/SP. WASHER)	2	994-34040-081
119	47	668-8494	CLUTCH ASS'Y 48MM	1	277-0634F-91
120	61	668-4636	TAPPING SCREW D4.5X16	1	990-72045-164
121	62	669-5441	BOLT 4X12PS	2	994-25040-128
122	65	668-4684	STARTER PAWL SPRING	1	790-06097-20
123	66	669-3319	STARTER PAWL	1	788-06500-20

H38-05 CARBURETOR



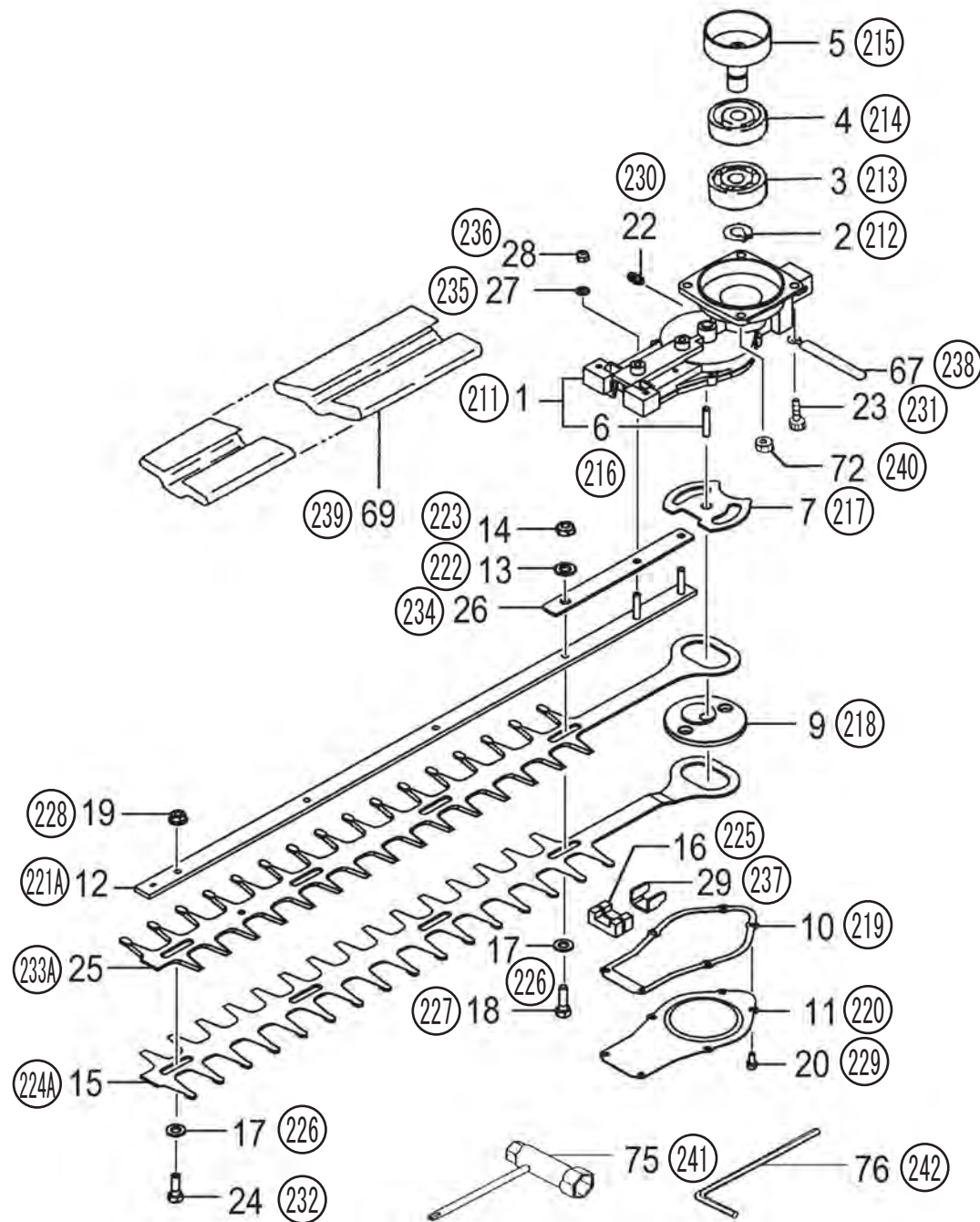
HITACHI NUMBER	REF. NUMBER	PARTS NUMBER	DESCRIPTION	Q'TY	TANAKA PARTS NUMBER
H38-05 CARBURETOR					
141	2	669-1433	PUMP BODY COMP.	1	575-25157-80
142	3	668-4687	PRIMING PUMP COMP.	1	442-25151-80
143	4	668-4688	DIAPHRAGM COVER	1	476-25151-20
144	5	668-4689	PRIMING BODY	1	447-25108-20
145	6	669-0830	METERING DIAPHRAGM COMP.	1	474-25241-80
146	7	668-4691	DIAPHRAGM GASKET	1	475-25153-20
147	8	668-4878	MAIN JET #39	1	599-2000W-39
148	9	668-4696	STOP RING	1	489-25100-20
149	10	668-4697	SWIVEL	1	539-25120-20
150	11	668-4883	THROTTLE VALVE COMP.	1	488-25145-80
151	12	668-4695	O-RING	1	550-25100-20
152	13	669-1457	PUMP GASKET	1	577-25100-20
153	14	668-4693	PUMP DIAPHRAGM	1	576-25100-20
154	15	668-4698	THROTTLE SET SCREW	2	548-25140-20
155	17	668-4699	SET SCREW	4	548-25151-20
156	201	668-4700	INLET SCREEN	1	578-25007-20

H38-06 HANDLE



HITACHI NUMBER	REF. NUMBER	PARTS NUMBER	DESCRIPTION	Q'TY	TANAKA PARTS NUMBER
H38-06 HANDLE					
171	25	668-6270	HANDLE A	1	050-33150-22
172	26	668-7764	STOP SWITCH COMP.	1	170-3317A-80
173	27	668-8366	BUTTON STOP	1	258-11650-20
174	28	668-4913	SCREW 3X10	1	994-31030-101
175	29	668-8226	THROTTLE LEVER	1	230-33150-20
176	30	668-8235	SAFETY LEVER	1	231-33150-20
177	31	668-8243	THROTTLE LEVER SPRING	1	232-33150-20
178	33	668-6307	HANDLE B	1	051-33150-23
179	35	669-3002	CAP	1	765-32120-20
180	36	669-5263	TAPPING SCREW 4X18	7	993-18041-812
181	47	669-3917	THROTTLE WIRE COMP.	1	885-06620-80
182	48	669-4585	STOP BUTTON MARK	1	925-32530-20
183	50	669-5055	HEX. HOLE BOLT 5X45	1	990-51050-453
184	51	305-491	NYLON NUT M5	1	991-78050-010
185	53	669-5495	HEX. HOLE BOLT 6X18/S	1	994-61060-184
186	54	668-4662	S.WASHER 5	1	992-10050-012
187	55	668-4864	SMALL WASHER 5	1	992-00050-011
188	57	668-4639	WASHER 6	1	992-01060-011
189	61	668-8096	FRONT HANDLE	1	210-33160-22
190	63	668-9680	BRAKE SHAFT WASHER	2	368-32057-20
191	64	668-4834	SPRING WASHER 5	2	992-10050-062
192	65	669-5054	HEX. HOLE BOLT 5X40	2	990-51050-403
193	73	668-7558	PROTECTION TUBE 10X150L	1	164-10015-00
194	82	669-2244	COLLAR 5.8	2	659-00801-20

H38-07 GEAR CASE/BLADE



HITACHI NUMBER	REF. NUMBER	PARTS NUMBER	DESCRIPTION	Q'TY	TANAKA PARTS NUMBER
H38-07 GEAR CASE/BLADE					
211	1	668-8683	GEAR CASE COMP.	1	300-33287-81
212	2	669-5285	STOP RING C-15, OUTER	1	993-50015-002
213	3	669-5538	BALL BEARING #6002Z, 32MM/OD	1	999-61600-202
214	4	669-5538	BALL BEARING #6002Z, 32MM/OD	1	999-61600-202
215	5	668-8570	CLUTCH DRUM COMP.	1	288-33180-80
216	6	668-8960	GEAR SHAFT	1	305-33160-20
217	7	668-6614	GUIDE PLATE	1	075-33287-20
218	9	668-8979	GEAR 2	1	307-33287-20
219	10	668-8909	GEAR CASE GASKET	1	303-33160-20
220	11	669-2102	GEAR CASE COVER	1	630-33287-20
221	12	668-7152	CUTTER GUIDE 590	1	122-33287-80
222	13	668-4639	WASHER 6	1	992-01060-011
223	14	669-5175	NUT 6 UPS-P	1	991-87060-001
224	15	668-7119	CUTTER B	1	121-33287-20
225	16	668-6658	GREASE SEAL A	2	085-33287-20
226	17	668-7187	WASHER 7 BLACK	4	129-33202-20
227	18	668-7158	FIXING BOLT A M6	1	124-32287-20
228	19	669-5170	FLANGE NUT 6	3	991-82060-001
229	20	669-5484	HEX. HOLE BOLT 4X10S	6	994-61040-104
230	22	668-8643	GREASE NIPPLE COMP.	1	300-32250-80
231	23	669-5495	HEX. HOLE BOLT 6X18/S	2	994-61060-184
232	24	668-7162	CUTTER FIXING BOLT B	3	125-32287-20
233	25	668-7095	CUTTER A	1	120-33287-20
234	26	669-0761	SUPPORT PLATE	1	462-33287-20
235	27	668-4864	SMALL WASHER 5	2	992-00050-011
236	28	305-491	NYLON NUT M5	2	991-78050-010
237	29	668-6468	HOLDING PLATE	1	070-33287-20
238	67	668-8008	CORD CLAMP COMP.	1	198-10246-80
239	69	668-7311	CUTTER COVER	1	138-33258-20
240	72	669-5475	SPRING NUT 6	2	994-40060-011
241	75	668-5997	COMBI. BOX SPANNER 10X19 ,PLUS	1	036-29331-50
242	76	668-4813	HEX. BAR WRENCH 4MM	1	813-20000-20