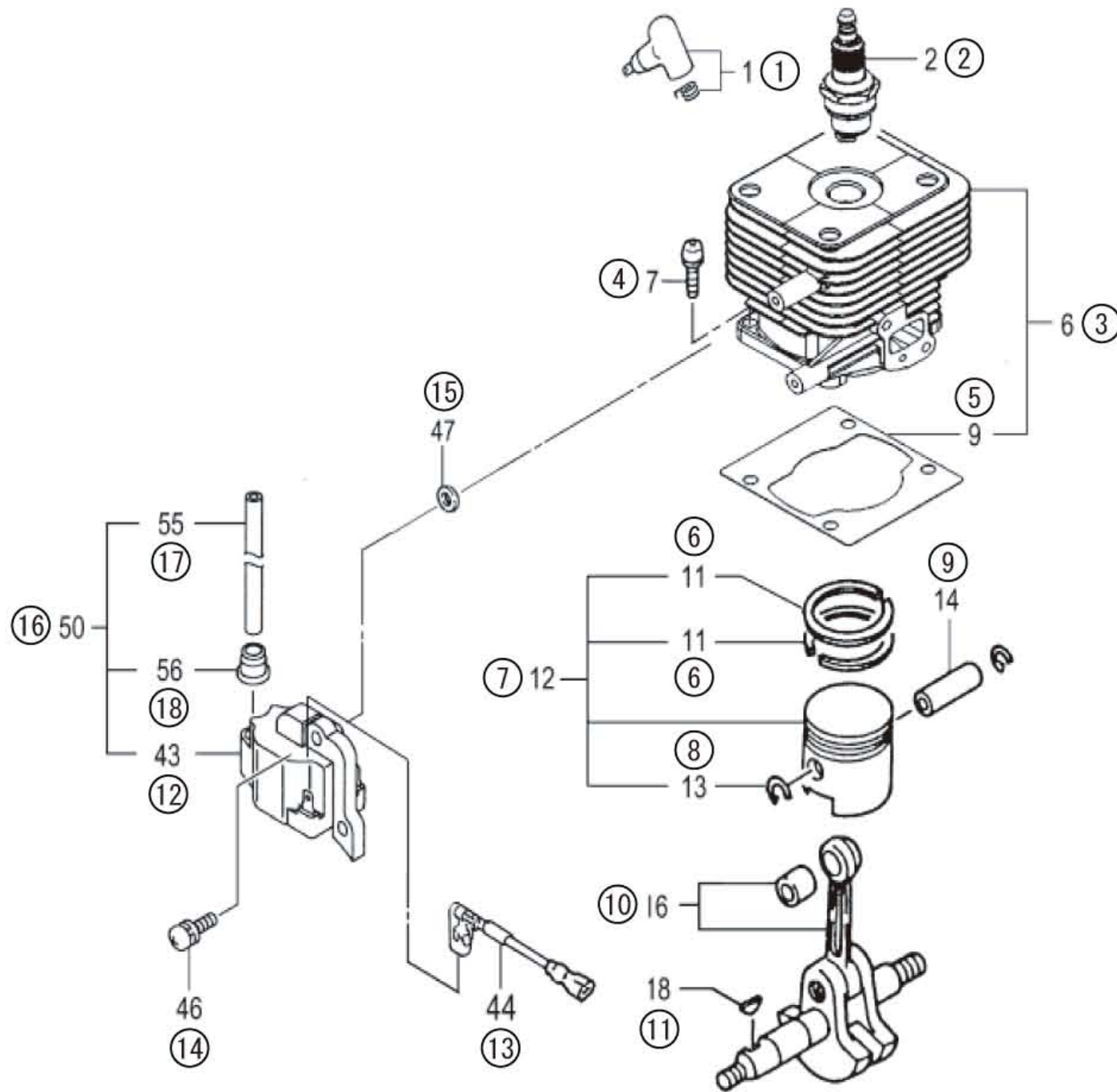


# S44-01 CYLINDER/PISTON/CRANK SHAFT

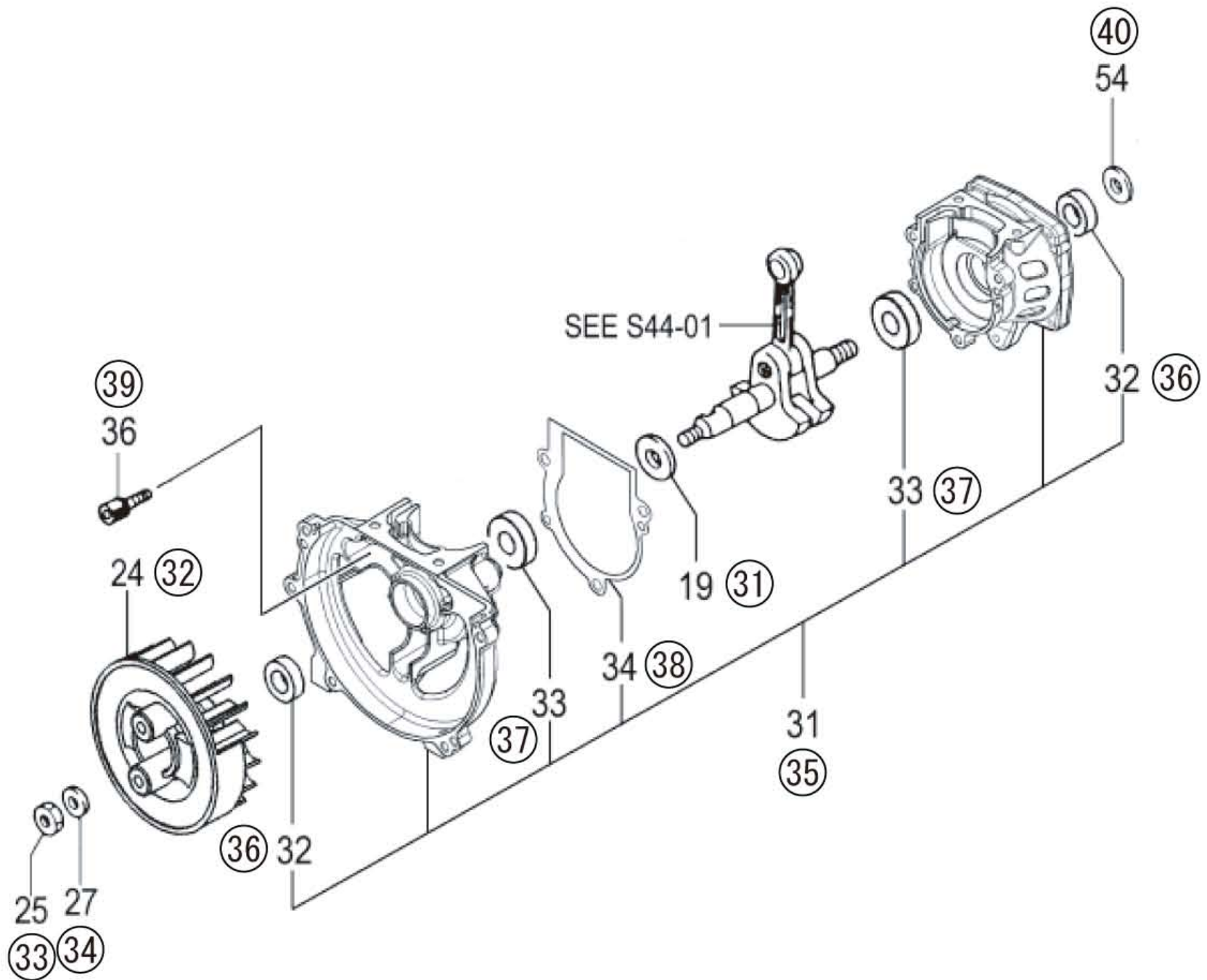


HITACHI NUMBER	REF. NUMBER	PARTS NUMBER	DESCRIPTION	Q'TY	TANAKA PARTS NUMBER
<b>S44-01 CYLINDER/PISTON/CRANK SHAFT</b>					
1	1	668-7468	SPARK PLUG CAP ASS'Y	1	157-01570-90
2	2	668-5772	SPARK PLUG CJ6Y	1	018-04064-20
3	6	668-5491	CYLINDER SET	1	001-07250-90
4	7	668-4903	HEX.HOLE BOLT M5X16/S	4	994-61050-164
5	9	668-5749	CYLINDER GASKET	1	017-07250-20
6	11	668-5081	PISTON RING	2	041-01730-20
7	12	668-5898	PISTON SET	1	030-07030-91
8	13	668-5078	CIRCLIP	2	039-00000-20
9	14	668-6008	PISTON PIN	1	037-01400-20
10	16	668-6212	CRANK SHAFT COMP.	1	046-0703A-81
11	18	668-4899	WOODRUFF KEY 3X13X4.5	1	068-10100-20
12	43	668-7663	IGNITION COIL COMP	1	167-20549-80
13	44	668-7874	STOP CORD B160M	2	178-0703B-80
14	46	668-4599	HEX.HOLE BOLT M4X18/WS	2	994-64040-184
15	47	668-4600	WASHER	2	182-0186A-20
16	50	668-7719	IGNITION COIL ASS'Y	1	167-22012-90
17	55	668-7891	HIGH TENSION CORD	1	178-22012-20
18	56	668-4602	RUBBER CAP	1	560-20517-20

形 名

TIA350PFS

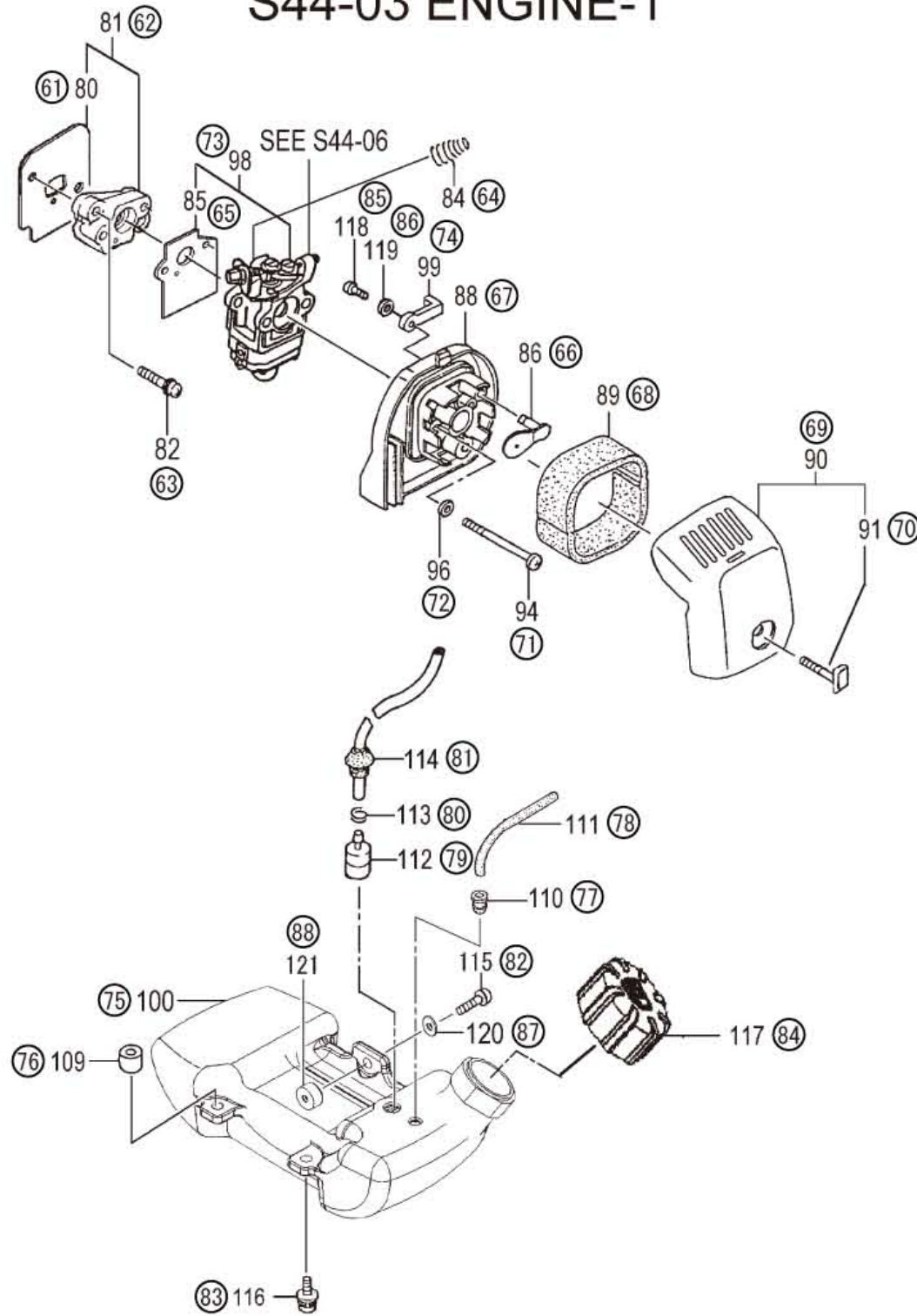
# S44-02 CRANK CASE



HITACHI NUMBER	REF. NUMBER	PARTS NUMBER	DESCRIPTION	Q'TY	TANAKA PARTS NUMBER
<b>S44-02 CRANK CASE</b>					
31	19	668-4604	GEAR SHAFT SHIM 0.20	V	330-00200-23
31	19	668-4605	GEAR SHAFT SHIM 0.30	V	330-00200-24
32	24	668-7375	MAGNETO ROTOR COMP.	1	155-20549-80
33	25	668-4612	HEX.NUT M8	1	991-01080-011
34	27	669-5184	SMALL WASHER 8	1	992-00080-011
35	31	668-6586	CRANK CASE ASSY	1	072-07250-90
36	32	668-4607	OIL SEAL TB 12227	2	999-66122-200
37	33	669-5535	BALL BEARING 6001 C3	2	999-61600-115
38	34	668-6723	CRANK CASE GASKET	1	090-07250-20
39	36	668-4903	HEX.HOLE BOLT M5X16/S	3	994-61050-164
40	54	668-4611	WASHER M8	1	992-01080-011



# S44-03 ENGINE-1



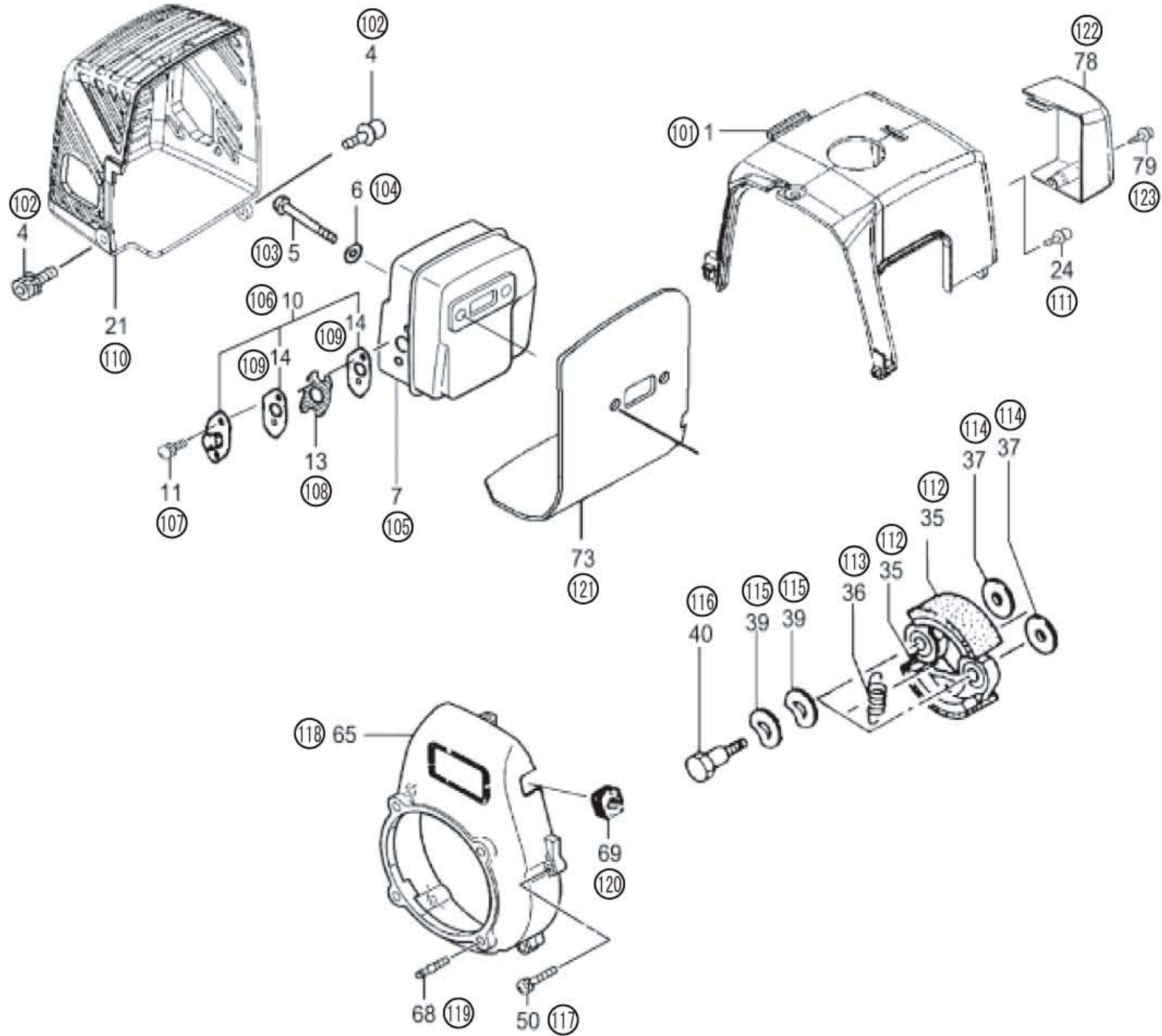
HITACHI NUMBER	REF. NUMBER	PARTS NUMBER	DESCRIPTION	Q'TY	TANAKA PARTS NUMBER
<b>S44-03 ENGINE-1</b>					
61	80	668-9895	INLET MANIFOLD GASKET	1	403-07020-21
62	81	668-9972	INSULATOR SET	1	404-07020-91
63	82	669-5515	HEX. HOLE BOLT 5X25WS	2	994-64050-254
64	84	669-4055	WIRE RETURN SPRING	1	902-10243-20
65	85	668-4616	CARBURETOR GASKET	1	402-0656A-20
66	86	669-1276	CHOKE PLATE 2.0	1	528-0652N-22
67	88	669-0120	CLEANER BODY COMP.	1	423-0652N-80
68	89	669-0365	CLEANER SPONGE	1	446-0652N-20
69	90	669-0402	CLEANER COVER ASS'Y	1	452-03046-90
70	91	669-0384	COVER FIXING BOLT	1	450-07024-80
71	94	669-5056	HEX. HOLE BOLT 5X55	2	990-51050-553
	95	668-4662	S.WASHER 5	2	992-10050-012
72	96	668-4864	SMALL WASHER 5	2	992-00050-011
73	98	669-0516	CARBURETOR SET WYJ464	1	455-0725A-90
74	99	669-1239	CHOKE CONTROL LEVER	1	523-0652N-20
75	100	669-1597	TANK WHT	1	591-07250-21
76	109	669-2244	COLLAR 5.8	3	659-00801-20
77	110	668-4627	RETURN GROMMET	1	534-32710-20
78	111	668-4880	FUEL PIPE 3X5X80	1	700-03005-08
79	112	668-4620	PUMP FILTER BODY COMP.	1	675-04042-80
80	113	668-4619	CLIP,6.3 DIA.	1	680-00731-20
81	114	668-4618	FUEL PIPE ASS'Y	1	223-0097A-90
82	115	668-4709	HEX.HOLE BOLT M5X25/S	1	994-61050-254
83	116	669-5504	HEX.HOLE BOLT 5X16/PS	2	994-63050-164
84	117	669-1748	TANK CAP D ASS'Y	1	595-03002-90
85	118	669-5280	TAP SCREW 4X14 P	1	993-49040-142
86	119	668-5070	BOLT WASHER M4	1	992-01040-011
87	120	668-4918	WASHER M5	1	992-01050-061
88	121	669-2183	TANK FIXING COLLAR	1	649-07250-20

形 名

TIA350PFS



# S44-04 ENGINE-2



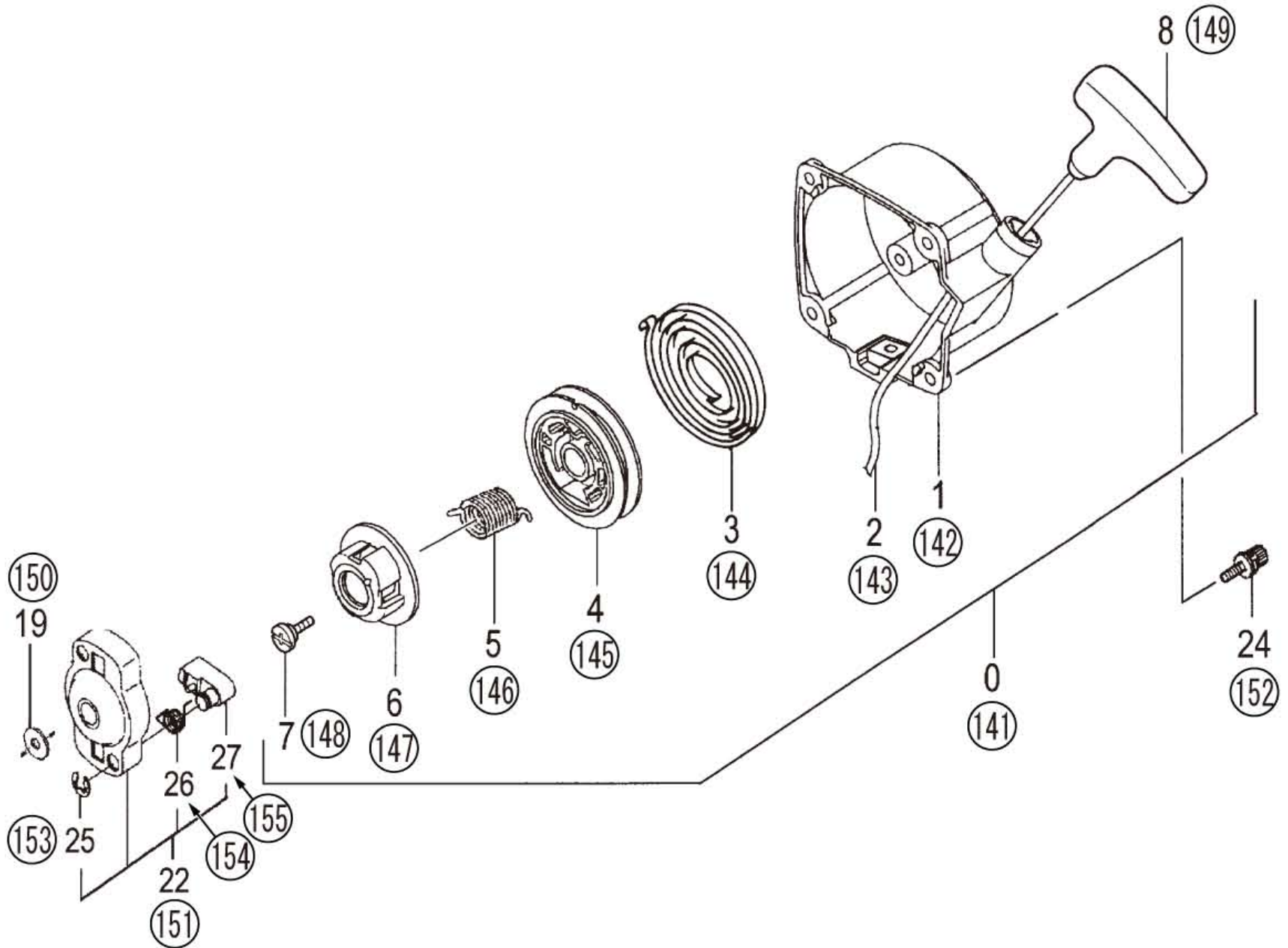
HITACHI NUMBER	REF. NUMBER	PARTS NUMBER	DESCRIPTION	Q'TY	TANAKA PARTS NUMBER
<b>S44-04 ENGINE-2</b>					
101	1	668-5689	CYLINDER COVER BLK	1	016-07250-21
102	4	669-5504	HEX.HOLE BOLT 5X16/PS	2	994-63050-164
103	5	669-5067	HEX.HOLE BOLT 6X65	2	990-51060-653
104	6	668-4639	WASHER 6	2	992-01060-011
105	7	669-2574	MUFFLER COMP.	1	706-0725A-80
106	10	669-2716	TAIL PIPE SET	1	734-0740A-90
107	11	668-4651	SCREW M4X8/WS	2	994-36040-081
108	13	669-2702	SPARK ARRESTER	1	732-0740A-20
109	14	669-2886	MUFFLER SPECIAL GASKET	2	751-06500-20
110	21	669-2812	MUFFLER PROTECTOR BLK	1	738-0725A-20
111	24	668-4682	HEX.HOLE BOLT 4X15/PS	1	994-63040-154
112	35	668-8610	CLUTCH ARM COMP.	2	290-0138A-80
113	36	668-9420	CLUTCH SPRING	1	342-0138A-20
114	37	668-9645	CLUTCH WASHER B	2	359-10112-20
115	39	669-5203	WAVE WASHER 10	4	992-04100-030
116	40	668-9628	CLUTCH STEP BOLT	2	357-0136U-20
117	50	668-4647	HEX.HOLE BOLT M5X18/WS	4	994-64050-184
118	65	668-7021	FAN CASE	1	112-07031-20
119	68	668-6772	STUD BOLT 6X36	4	100-04001-20
120	69	668-8057	PRIMARY CORD GROMMET	1	203-11660-20
121	73	668-7263	HEAT SHIELD	1	133-07250-20
122	78	668-7213	AIR DEFLECTOR	1	132-0725A-20
123	79	668-4751	TAPPING SCREW 4X14	1	993-48040-142

形 名

TIA350PFS



# S44-05 RECOIL STARTER

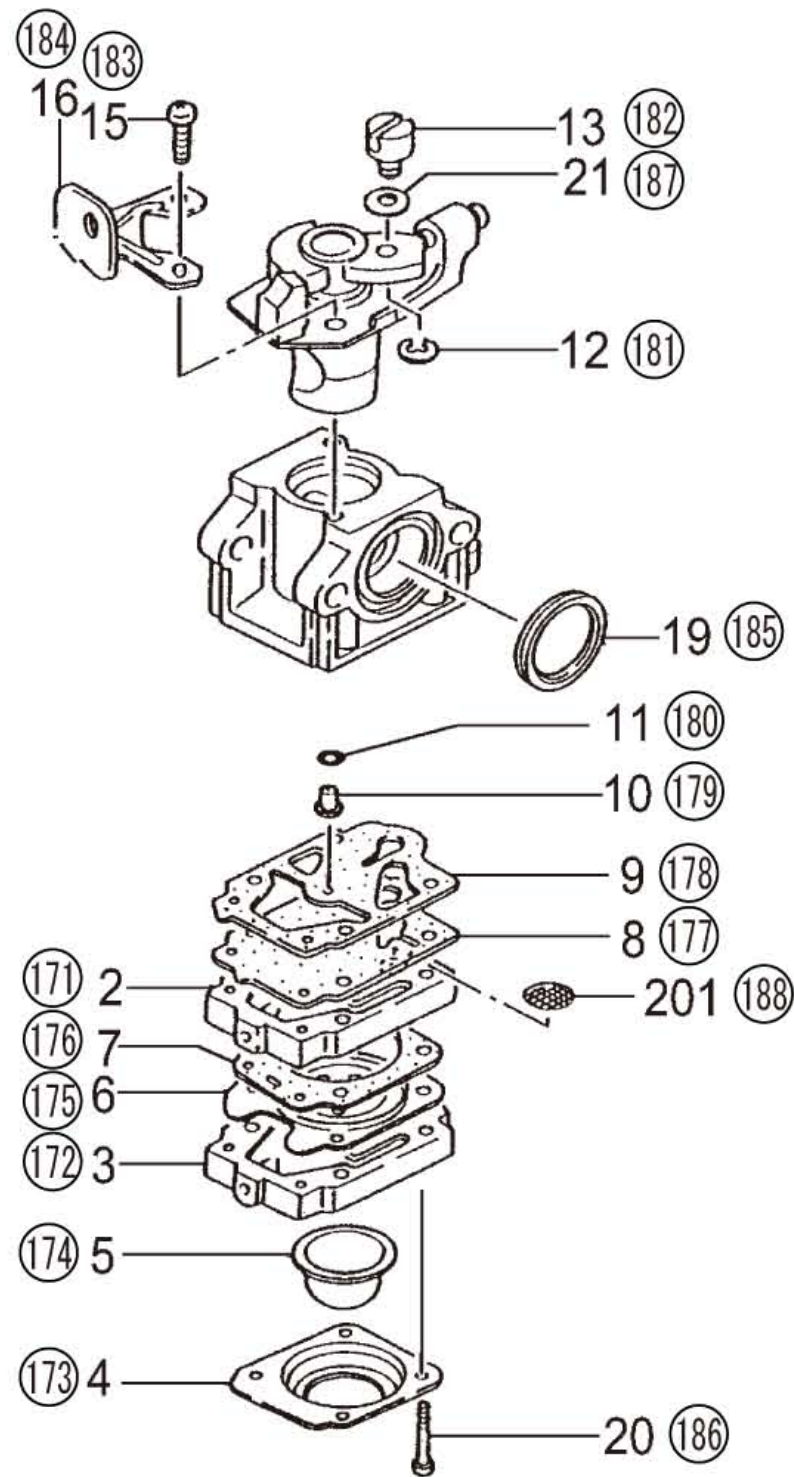


HITACHI NUMBER	REF. NUMBER	PARTS NUMBER	DESCRIPTION	Q'TY	TANAKA PARTS NUMBER
<b>S44-05 RECOIL STARTER</b>					
141	0	669-2991	RECOIL STARTER BODY ASS'Y	1	762-0720F-92
142	1	669-3040	RECOIL STARTER BODY COMP.	1	772-0720F-80
143	2	668-4674	STARTER ROPE 3.5X860	1	783-0720F-20
144	3	668-4675	RECOIL SPRING	1	780-06097-20
145	4	669-3081	STARTER PULLEY	1	774-0720R-20
146	5	668-4677	DUMPER SPRING	1	758-0651H-20
147	6	669-2938	CAM PLATE	1	759-0720R-21
148	7	668-4679	SET SCREW	1	839-03045-20
149	8	668-4680	STARTER HANDLE	1	785-03045-20
150	19	668-9645	CLUTCH WASHER B	1	359-10112-20
151	22	668-4681	STARTER PULLEY ASS'Y	1	798-0651H-90
152	24	669-5508	HEX. HOLE BOLT 4X18WS	4	994-64040-185
153	25	668-4683	STOP RING E-5	2	993-55050-000
154	26	668-4684	STARTER PAWL SPRING	2	790-06097-20
155	27	668-4685	STARTER PAWL	2	788-0651H-20

形 名

TIA350PFS

# S44-06 CARBURETOR



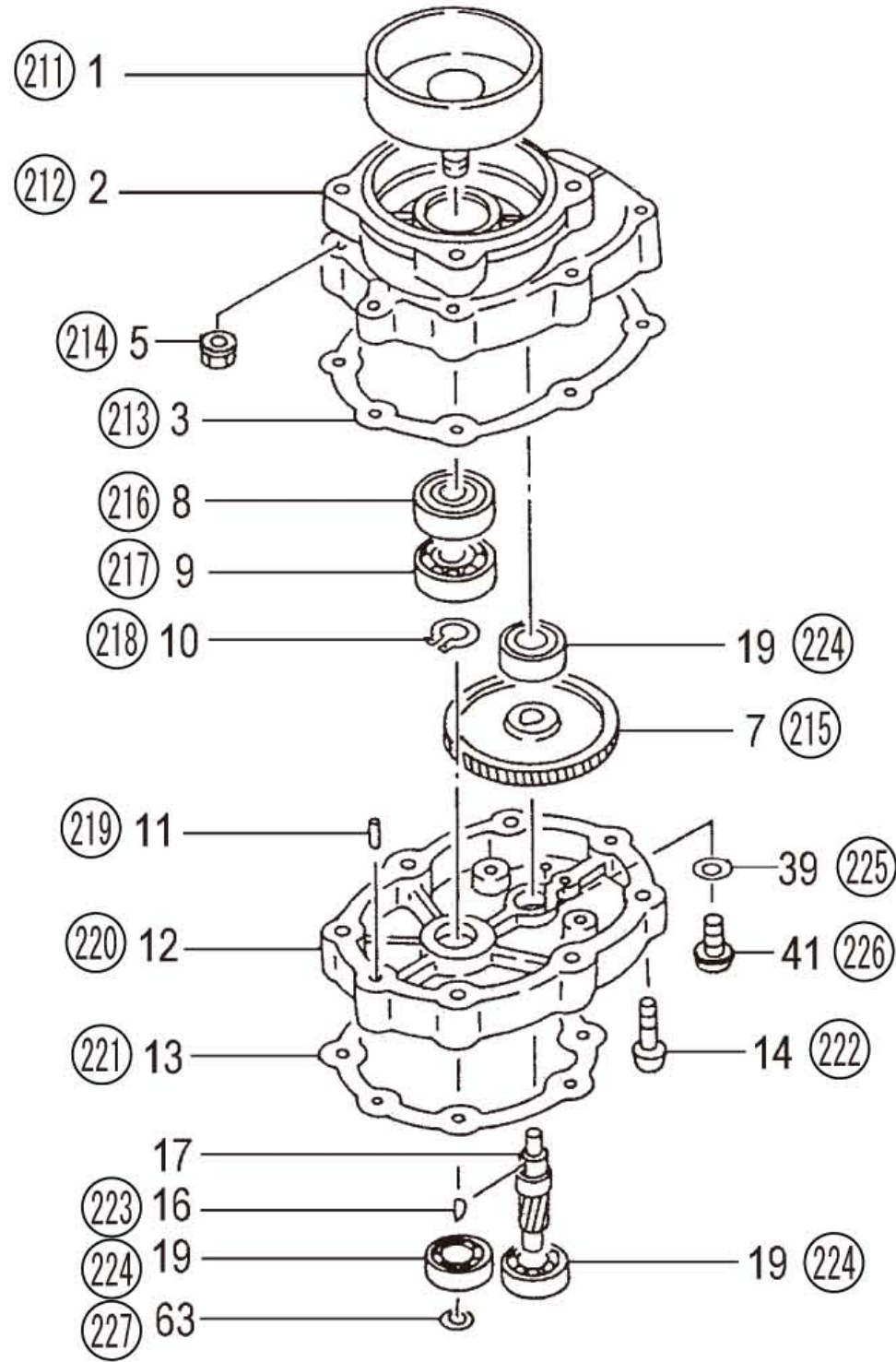
HITACHI NUMBER	REF. NUMBER	PARTS NUMBER	DESCRIPTION	Q'TY	TANAKA PARTS NUMBER
<b>S44-06 CARBURETOR</b>					
171	2	668-4879	PUMP BODY COMP.	1	575-25153-80
172	3	668-4687	PRIMING PUMP COMP.	1	442-25151-80
173	4	668-4688	DIAPHRAGM COVER	1	476-25151-20
174	5	668-4689	PRIMING BODY	1	447-25108-20
175	6	669-0830	METERING DIAPHRAGM COMP.	1	474-25241-80
176	7	668-4691	DIAPHRAGM GASKET	1	475-25153-20
177	8	668-4693	PUMP DIAPHRAGM	1	576-25100-20
178	9	669-1457	PUMP GASKET	1	577-25100-20
179	10	669-1874	LONG MAIN JET #38	1	599-2001W-38
180	11	668-4695	O-RING	1	550-25100-20
181	12	668-4696	STOP RING	1	489-25100-20
182	13	668-4697	SWIVEL	1	539-25120-20
183	15	668-4870	THROTTLE SET SCREW	2	514-25100-20
184	16	668-4873	CABLE ADJUSTER STAY	1	544-25164-20
	17	669-2005	CABLE ADJUST NUT	1	613-25100-20
	18	668-4871	CABLE ADJUSTER	1	614-25137-20
185	19	668-4875	CLEANER PACKING	1	431-0634C-20
186	20	668-4699	SET SCREW	4	548-25151-20
187	21	668-4874	THRUST WASHER	1	549-25165-20
188	201	668-4700	INLET SCREEN	1	578-25007-20
		669-2190	CARB.REPAIR KIT,K20WYJ	1	650-25124-91
		669-2199	REPAIR KIT DIAPHRAGM,,D20WY	1	652-25124-90

形 名

TIA350PFS



# S44-07 GEAR CASE-1

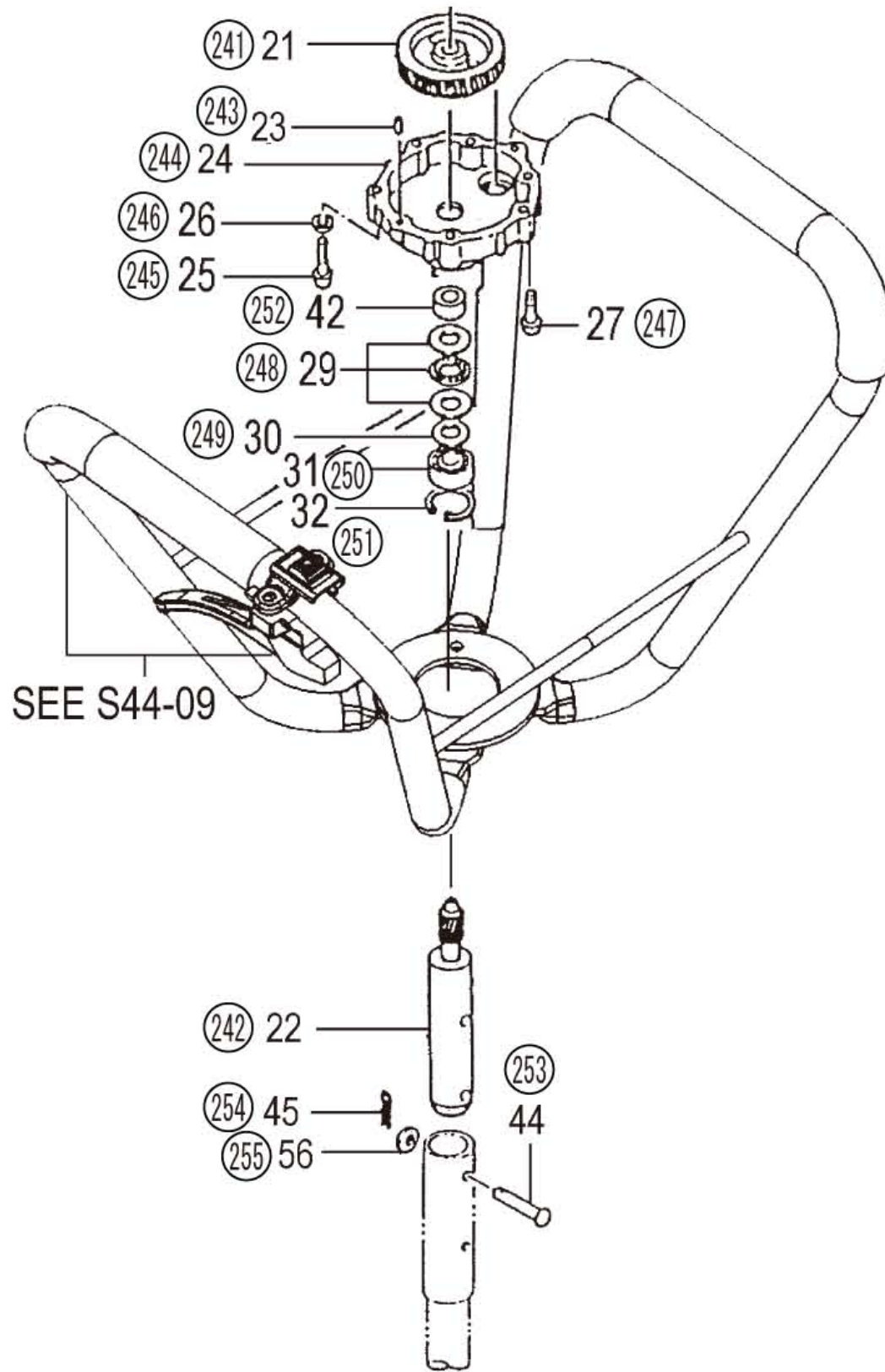


HITACHI NUMBER	REF. NUMBER	PARTS NUMBER	DESCRIPTION	Q'TY	TANAKA PARTS NUMBER
<b>S44-07 GEAR CASE-1</b>					
211	1	668-8203	CLUTCH HOUSING COMP.	1	226-32466-80
212	2	668-8029	GEAR CASE A	1	200-32420-20
213	3	668-8059	GEAR CASE GASKET B	1	204-32401-20
214	5	669-5475	SPRING NUT 6	4	994-40060-011
215	7	668-8136	GEAR 2	1	221-32465-20
216	8	669-5559	BALL BEARING #6202Z, 35MM/OD	1	999-61620-202
217	9	669-5557	BALL BEARING #6202, 35MM/OD	1	999-61620-200
218	10	669-5285	STOP RING C-15, OUTER	1	993-50015-002
219	11	669-5521	KNOCK PIN 4X12	2	999-05041-203
220	12	668-8035	GEAR CASE B	1	201-32401-20
221	13	668-8063	GEAR CASE GASKET C	1	205-32401-20
222	14	669-5345	SCREW 5X30/S	2	994-14050-301
223	16	668-6459	WOOD-RUFF KEY 3X13X5.0	1	068-11000-20
224	19	669-5524	BALL BEARING #6000, 26MM/OD	3	999-61600-000
225	39	668-4639	WASHER 6	1	992-01060-011
226	41	669-4923	SCREW 6X8	1	990-11060-081
227	63	669-5286	STOP RING C-17, OUTER	1	993-50017-002

形 名

TIA350PFS

# S44-08 GEAR CASE-2



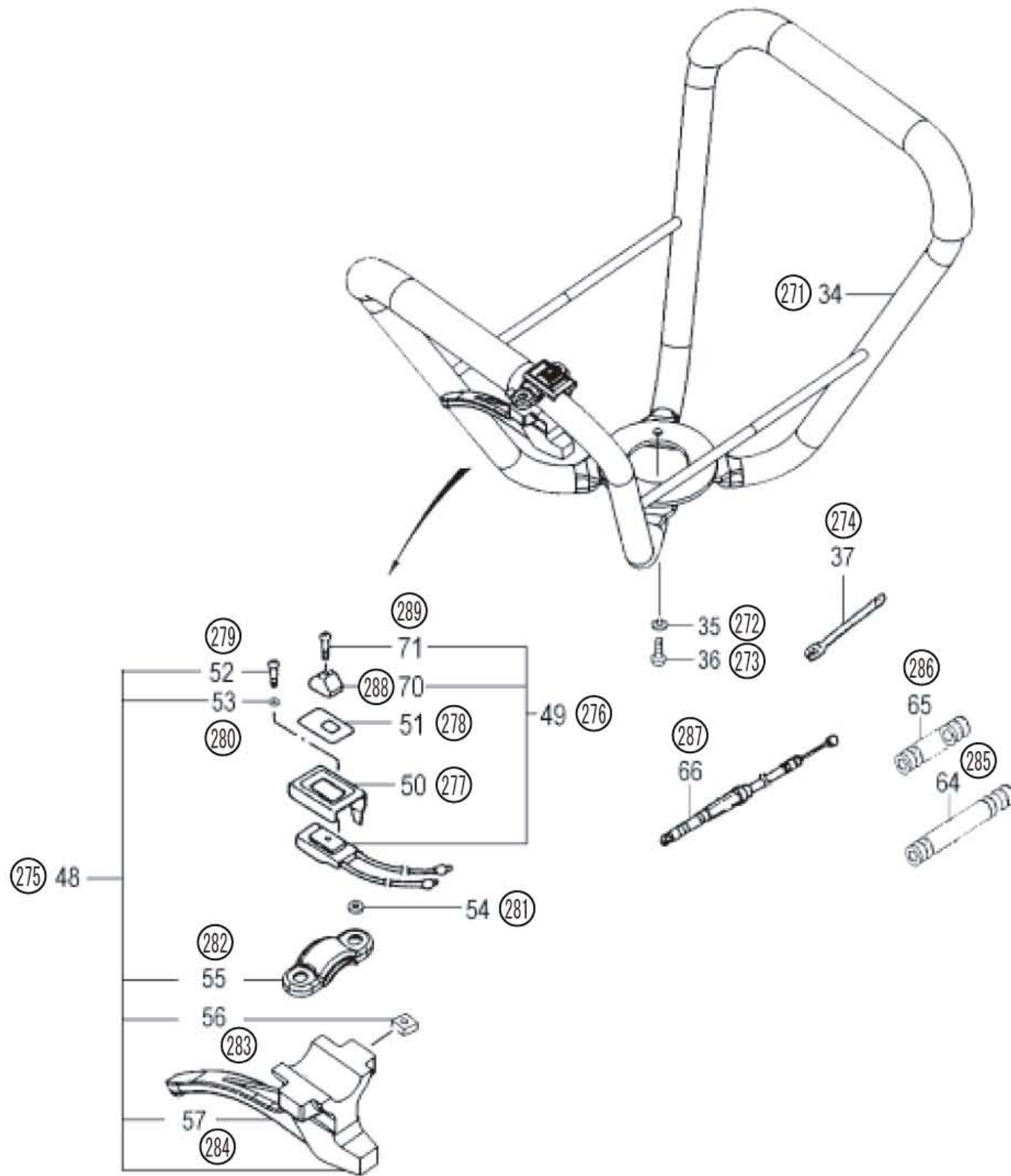
HITACHI NUMBER	REF. NUMBER	PARTS NUMBER	DESCRIPTION	Q'TY	TANAKA PARTS NUMBER
<b>S44-08 GEAR CASE-2</b>					
241	21	668-8179	GEAR 4	1	223-32465-20
242	22	668-8189	DRIVE SHAFT	1	225-32465-20
243	23	669-5521	KNOCK PIN 4X12	2	999-05041-203
244	24	668-8043	GEAR CASE C	1	202-32465-20
245	25	669-4910	SCREW 5X50	4	990-11050-501
246	26	668-4662	S.WASHER 5	4	992-10050-012
247	27	669-5345	SCREW 5X30/S	2	994-14050-301
248	29	669-5617	THRUST BEARING 2035	1	999-62203-572
249	30	668-8223	GEAR SHAFT COLLAR A	1	230-32465-20
250	31	669-5584	BALL BEARING 6904ZZ C3	1	999-61690-401
251	32	669-5297	STOP RING C-37, INNER	1	993-51037-002
252	42	668-8234	GEAR SHAFT COLLAR B	1	231-32465-20
253	44	669-3554	PIN	2	820-32250-20
254	45	669-3558	SNAP PIN 8	2	821-32203-20
255	56	668-4611	WASHER M8	2	992-01080-011

形 名

TIA350PFS



# S44-09 HANDLE

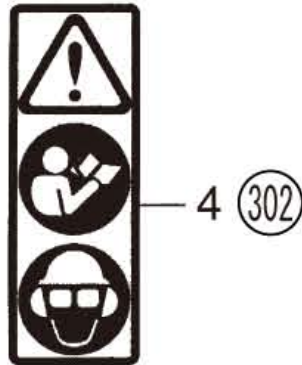


HITACHI NUMBER	REF. NUMBER	PARTS NUMBER	DESCRIPTION	Q'TY	TANAKA PARTS NUMBER
<b>S44-09 HANDLE</b>					
271	34	668-6254	HANDLE ASS'Y	1	049-32475-92
272	35	669-5219	S.WASHER 6	4	992-10060-012
273	36	669-5020	PLUS BOLT 6X18	4	990-23060-181
274	37	668-8015	CORD CLAMP	4	198-33130-20
275	48	669-3695	THROTTLE LEVER ASS'Y	1	870-32475-90
276	49	668-7434	STOP SWITCH ASS'Y	1	156-32475-90
277	50	669-2138	STOP BUTTON BRACKET	1	640-32465-21
278	51	669-4589	STOP BUTTON MARK	1	925-33176-20
279	52	669-5022	PLUS BOLT 6X30	2	990-23060-301
280	53	668-4792	NUT M6	2	991-01060-011
281	54	668-4822	SPECIAL WASHER B	1	871-32600-20
282	55	669-3808	THROTTLE LEVER BAND	1	883-32475-20
283	56	669-6512	SQUARE NUT 6	2	991-91060-061
284	57	669-3801	THROTTLE ARM	1	880-32475-20
285	64	668-7578	PROTECTION TUBE 10X42	1	164-10042-01
286	65	668-7602	SPLIT PROTECTION TUBE 13X150L	1	164-13015-01
287	66	669-3927	THROTTLE WIRE 640+45	1	885-0725A-80
288	70	668-8366	BUTTON STOP	1	258-11650-20
289	71	668-4913	SCREW 3X10	1	994-31030-101

形 名

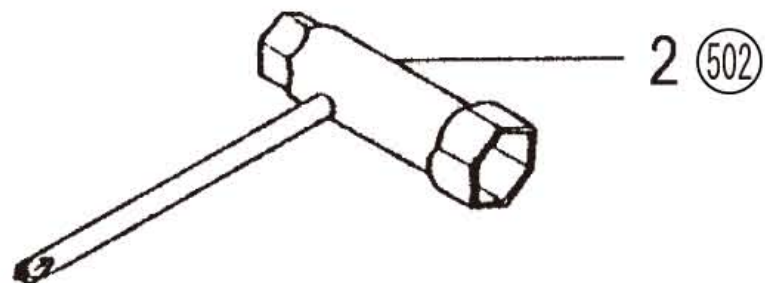
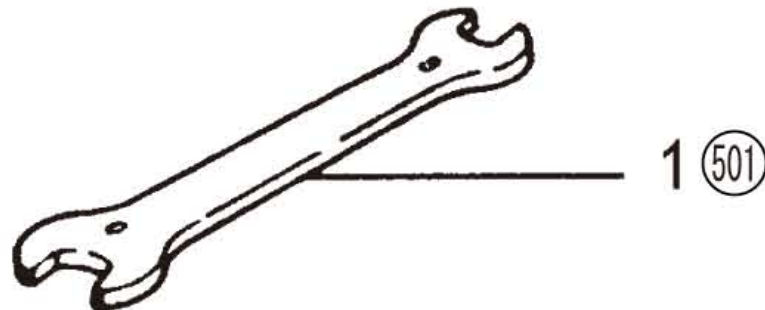
TIA350PFS

# S44-10 LABELS



HITACHI NUMBER	REF. NUMBER	PARTS NUMBER	DESCRIPTION	Q'TY	TANAKA PARTS NUMBER
<b>S44-10 LABELS</b>					
301	1	669-4234	NAME PLATE TIA-350PFS	1	906-0725A-20
302	4	669-4564	CAUTION MARK	1	920-32466-20

# S44-11 TOOLS



HITACHI NUMBER	REF. NUMBER	PARTS NUMBER	DESCRIPTION	Q'TY	TANAKA PARTS NUMBER
<b>S44-11 TOOLS</b>					
501	1	669-3479	SPANNER 10X13	1	808-20000-20
502	2	668-5997	COMBI. BOX SPANNER 10X19 ,PLUS	1	036-29331-50

形 名
<b>TIA350PFS</b>