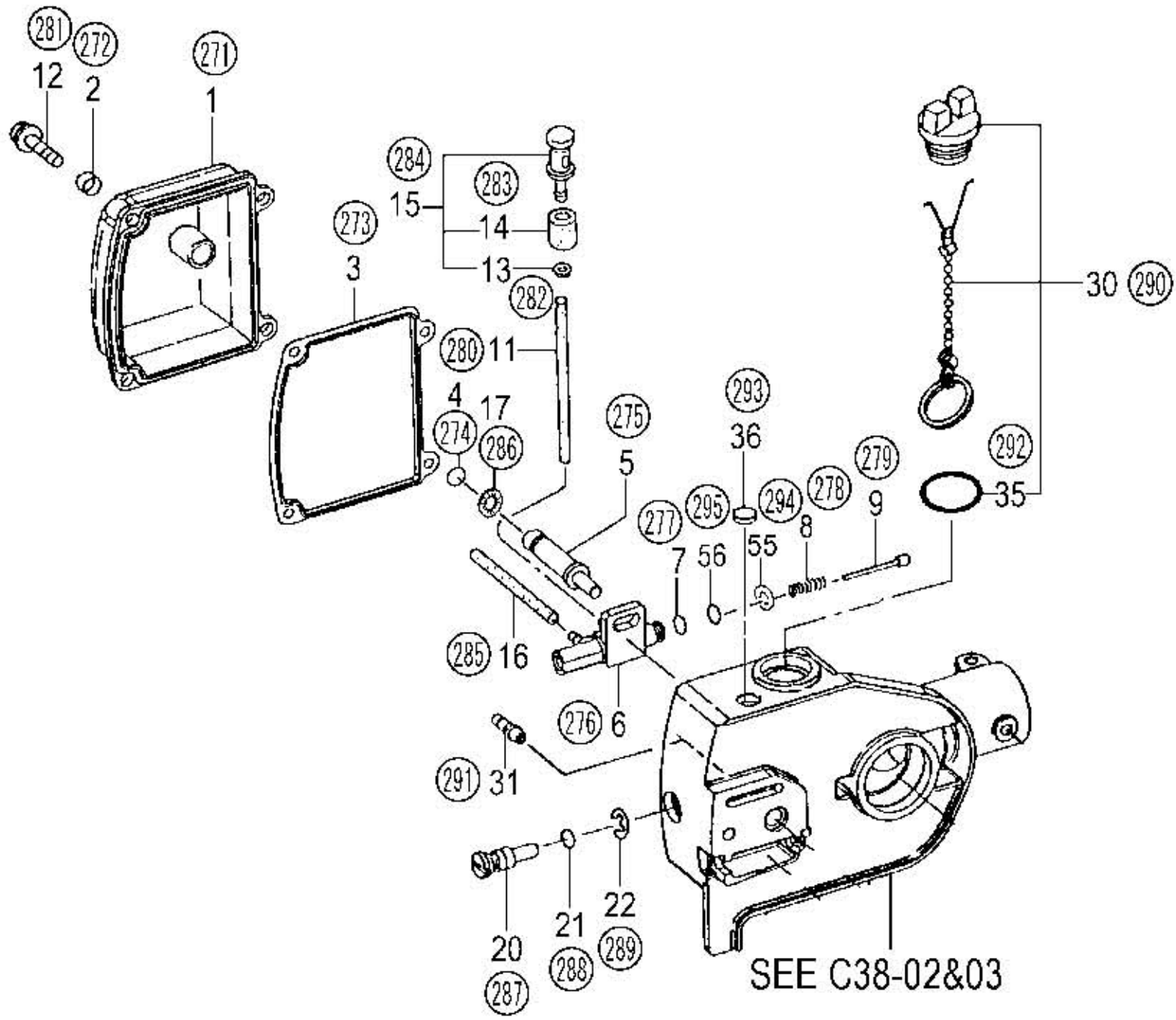
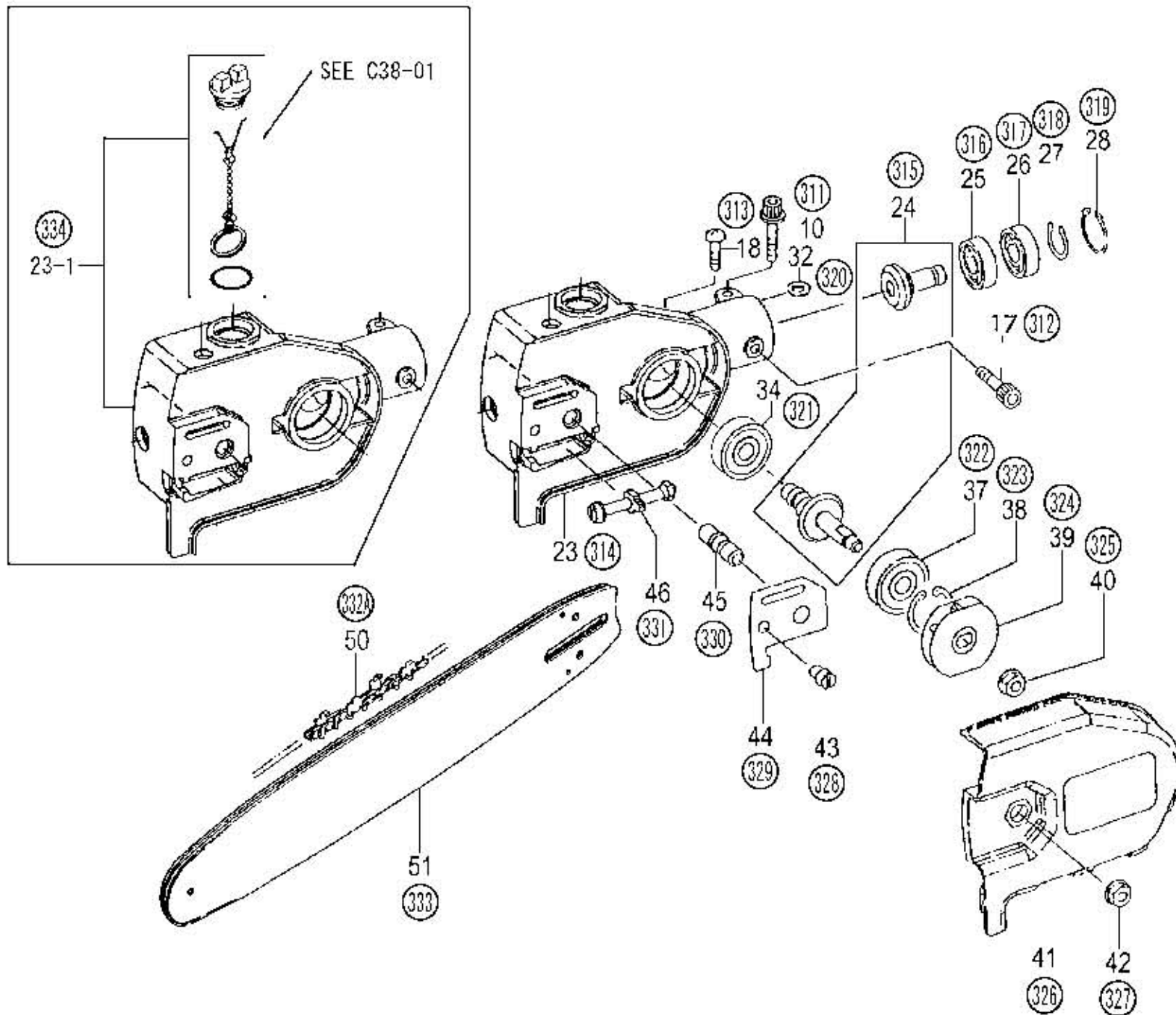


C38-01 GEAR CASE-1



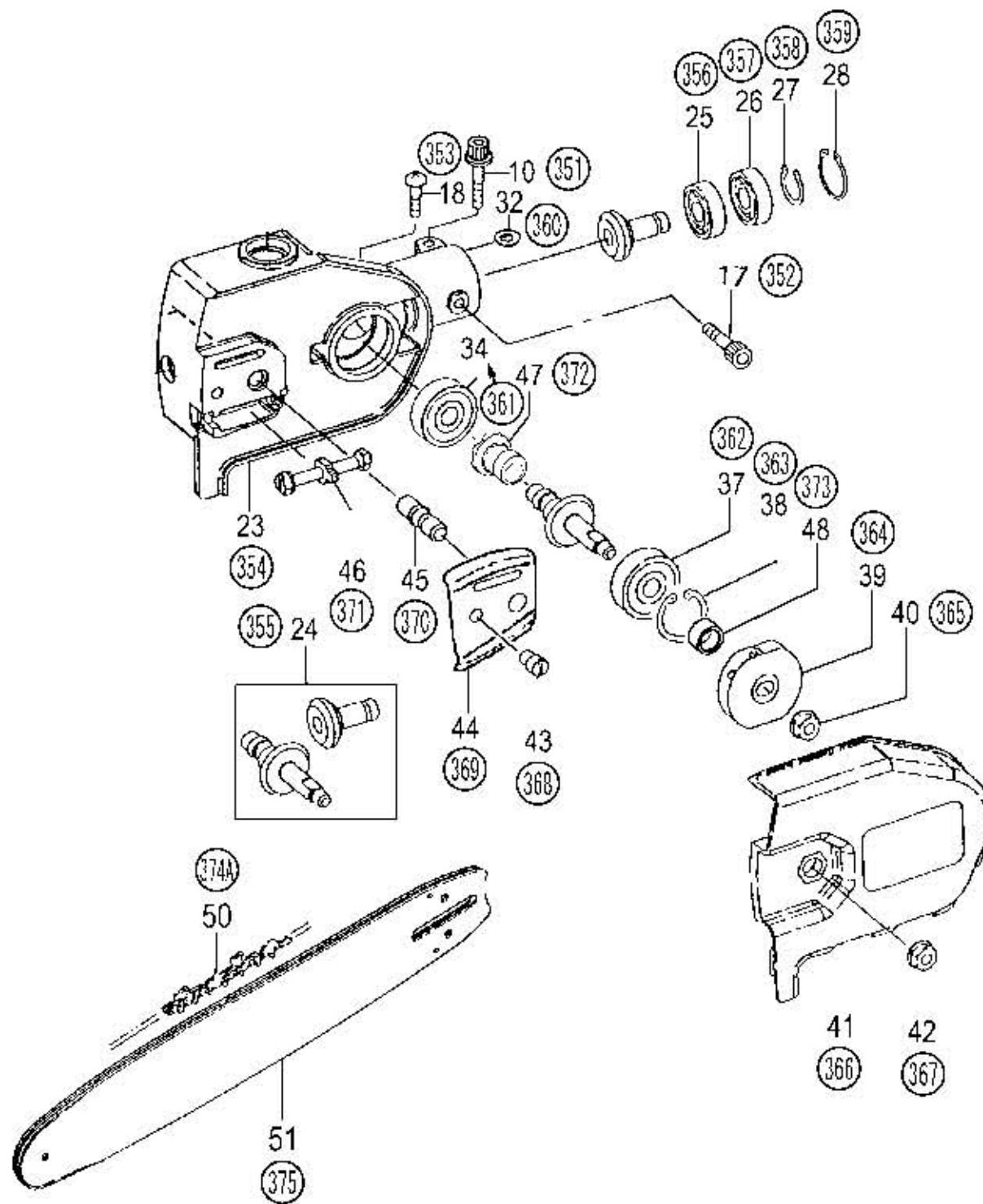
HITACHI NUMBER	REF. NUMBER	PARTS NUMBER	DESCRIPTION	Q'TY	TANAKA PARTS NUMBER
C38-01 GEAR CASE-1					
271	1	668-6138	OIL TANK COVER	1	041-32304-20
272	2	668-5961	COLLAR 3	4	031-32304-20
273	3	669-0084	OIL TANK GASKET	1	422-32304-21
274	4	669-5661	O-RING P-5	1	999-67005-000
275	5	668-9757	STEP BOLT A	1	382-32304-20
276	6	668-6487	OIL PUMP COMP.	1	071-32344-80
277	7	669-5661	O-RING P-5	1	999-67005-000
278	8	669-0381	OIL PUMP SPRING	1	449-32304-20
279	9	668-6608	OIL PUMP PISTON COMP.	1	073-32304-81
280	11	669-2414	FUEL PIPE 3X5X60	1	700-53005-06
281	12	669-5403	SMALL SCREW 4X12WS	4	994-16040-126
282	13	668-4661	WASHER 5	1	992-01050-011
283	14	669-0917	OIL FILTER	1	487-32345-20
284	15	669-0913	FILTER ASS'Y	1	486-32345-90
285	16	669-2415	FUEL PIPE 3X5X75	1	700-53005-07
286	17	669-5239	8 PUSH NUT	1	992-30080-000
287	20	669-1066	OIL PUMP ADJUSTER	1	501-32304-21
288	21	669-5661	O-RING P-5	1	999-67005-000
289	22	669-5311	STOP RING E-6	1	993-55060-001
290	30	669-2050	OIL TANK CAP ASS'Y	1	624-32304-92
291	31	668-6637	BANJO, OIL PUMP	1	082-32304-20
292	35	669-5670	O-RING P-15	1	999-67015-000
293	36	669-1399	AIR VENT COVER	1	566-04063-20
294	55	669-5187	WASHER 2	1	992-01020-011
295	56	669-5656	O-RING 1.4	1	999-67001-413

C38-02 GEAR CASE-2 (SERIAL NO. - Z042300)



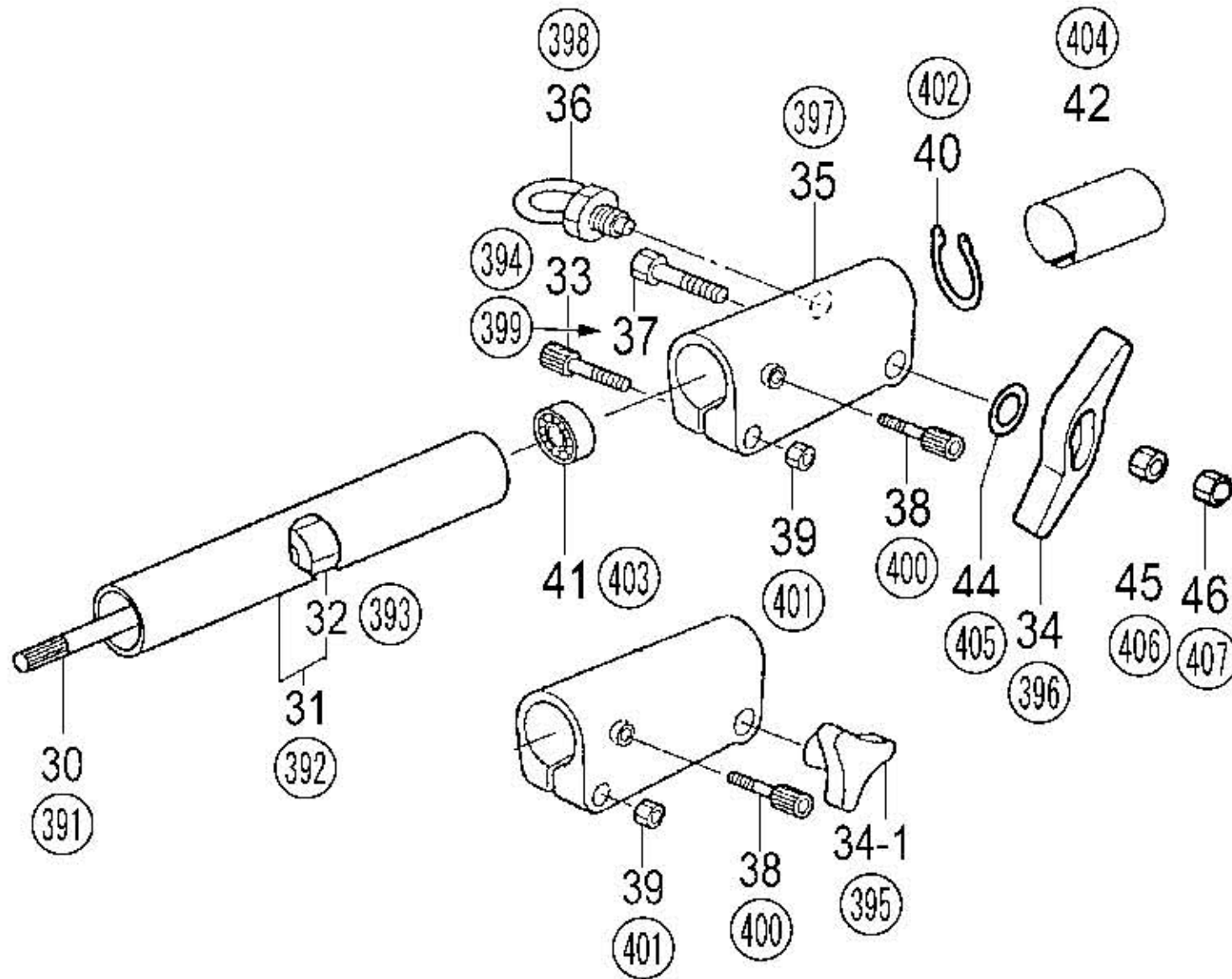
HITACHI NUMBER	REF. NUMBER	PARTS NUMBER	DESCRIPTION	Q'TY	TANAKA PARTS NUMBER
C38-02 GEAR CASE-2 (SERIAL NO. - Z042300)					
311	10	669-5492	HEX. HOLE BOLT 5X22/S	1	994-61050-224
312	17	669-5042	HEX. HOLE BOLT 5X10	1	990-51050-103
313	18	669-4922	SCREW 6X6	1	990-11060-061
313	18	669-5458	SCREW 6X8	1	994-31060-081
314	23	668-5793	CASE	1	019-32304-22
315	24	668-8835	GEAR/PINION SET, SPARE	1	301-32304-00
316	25	668-4734	BALL BEARING 609	1	999-61609-000
317	26	668-4735	BALL BEARING 609Z ST	1	999-61609-002
318	27	669-5281	STOP RING C-9, OUTER	1	993-50009-002
319	28	668-4732	STOP RING C-24, INNER	1	993-51024-002
320	32	669-3248	STARTER PAWL WASHER	1	786-00601-20
321	34	668-4738	BALL BEARING #608,22MM/OD	1	999-61608-000
322	37	669-7603	BALL BEARING 638Z	1	999-61638-002
323	38	668-4741	STOP RING C-28, INNER	1	993-51028-002
324	39	668-9117	SPROCKET COMP. 3/8	1	319-32304-80
325	40	669-5170	FLANGE NUT 6	1	991-82060-001
326	41	668-6038	SIDE COVER COMP.	1	039-32304-80
327	42	668-7105	CHAIN BAR CLAMP NUT	1	121-32600-20
328	43	668-7130	CHAIN BAR KNOCK PIN	1	122-32344-21
329	44	669-0725	GUIDE PLATE	1	461-32304-20
330	45	668-6802	GUIDE BAR TIGHTENING BOLT	1	101-32304-20
331	46	668-7063	CHAIN TENSIONER ASS'Y	1	116-32304-90
332	50	668-7176	SAW CHAIN, 10 INCH, 3/8	1	127-32304-20
333	51	668-6875	GUIDE BAR, 10 INCH, S/N	1	110-32304-20
334	23-1	669-5849	CASE SET	1	019-32304-00

C38-03 GEAR CASE-2 (SERIAL NO.Z042301 -)



HITACHI NUMBER	REF. NUMBER	PARTS NUMBER	DESCRIPTION	Q'TY	TANAKA PARTS NUMBER
C38-03 GEAR CASE-2 (SERIAL NO. Z042301 -)					
351	10	669-5492	HEX. HOLE BOLT 5X22/S	1	994-61050-224
352	17	669-5042	HEX. HOLE BOLT 5X10	1	990-51050-103
353	18	669-5458	SCREW 6X8	1	994-31060-081
354	23	668-5793	CASE	1	019-32304-22
355	24	668-8836	GEAR PINION SET SPARE	1	301-32344-00
356	25	668-4734	BALL BEARING 609	1	999-61609-000
357	26	668-4735	BALL BEARING 609Z ST	1	999-61609-002
358	27	669-5281	STOP RING C-9, OUTER	1	993-50009-002
359	28	668-4732	STOP RING C-24, INNER	1	993-51024-002
360	32	669-3248	STARTER PAWL WASHER	1	786-00601-20
361	34	669-5568	BALL BEARING 627 C3	1	999-61627-000
362	37	669-7603	BALL BEARING 638Z	1	999-61638-002
363	38	668-4741	STOP RING C-28, INNER	1	993-51028-002
364	39	668-9117	SPROCKET COMP., 3/8	1	319-32304-80
365	40	669-5170	FLANGE NUT 6	1	991-82060-001
366	41	668-6038	SIDE COVER COMP.	1	039-32304-80
367	42	668-7105	CHAIN BAR CLAMP NUT	1	121-32600-20
368	43	668-7130	CHAIN BAR KNOCK PIN	1	122-32344-21
369	44	669-7596	GUIDE PLATE	1	461-32499-20
370	45	668-6803	CHAIN BAR TIGHTENING BOLT	1	101-32344-21
371	46	668-7063	CHAIN TENSIONER ASS'Y	1	116-32304-90
372	47	669-0428	CAM	1	452-32344-20
373	48	668-5962	COLLAR	1	031-32344-20
374	50	668-7176	SAW CHAIN, 10 INCH, 3/8	1	127-32304-20
375	51	668-6875	GUIDE BAR, 10 INCH, S/N	1	110-32304-20

C38-04 JOINT CASE/HANDLE

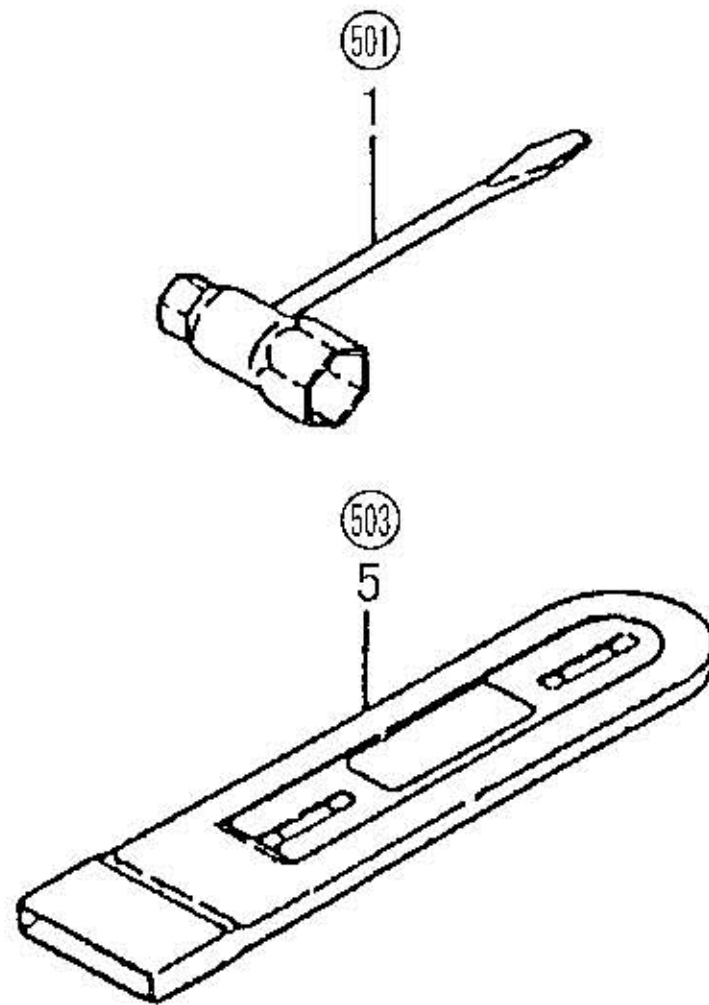


HITACHI NUMBER	REF. NUMBER	PARTS NUMBER	DESCRIPTION	Q'TY	TANAKA PARTS NUMBER
C38-04 JOINT CASE/HANDLE					
391	30	668-9441	DRIVE SHAFT COMP.	1	343-32331-80
392	31	668-9311	DRIVE SHAFT PIPE COMP.	1	341-32331-81
393	32	668-4831	BUSH ASS'Y	1	347-38360-90
394	33	668-4709	HEX.HOLE BOLT M5X25/S	1	994-61050-254
395	34-1	669-1205	HANDLE KNOB COMP.	1	512-33700-81
396	34	668-4823	HANDLE KNOB	1	512-3338P-20
397	35	668-8517	JOINT CASE	1	280-32331-22
398	36	668-9601	LOCK PIN COMP.	1	352-32331-80
399	37	669-4992	BOLT 6X35	1	990-21060-351
399	37	668-4824	HEX.BOLT 6X50	1	990-21060-504
400	38	669-5042	HEX. HOLE BOLT 5X10	1	990-51050-103
401	39	668-5075	NUT M5 (BLACK)	1	991-01050-041
402	40	668-4821	STOP RING C-10, OUTER	1	993-50010-002
403	41	669-5578	BALL BEARING 6900ZZ, 22MM/OD	1	999-61690-001
404	42	668-9530	COLLAR B	1	348-33130-20
405	44	668-4642	CLUTCH WASHER B	1	359-02103-20
406	45	668-4792	NUT M6	1	991-01060-011
407	46	668-4828	CAP NUT 6	1	991-42060-012

形 名

TPS200/210-4

C38-05 TOOLS



HITACHI NUMBER	REF. NUMBER	PARTS NUMBER	DESCRIPTION	Q'TY	TANAKA PARTS NUMBER
C38-05 TOOLS					
501	1	669-3809	COMBI. BOX SPANNER 13X19 MINUS	1	883-32600-20
503	5	669-4796	GUIDE BAR COVER, 10	1	941-32333-20