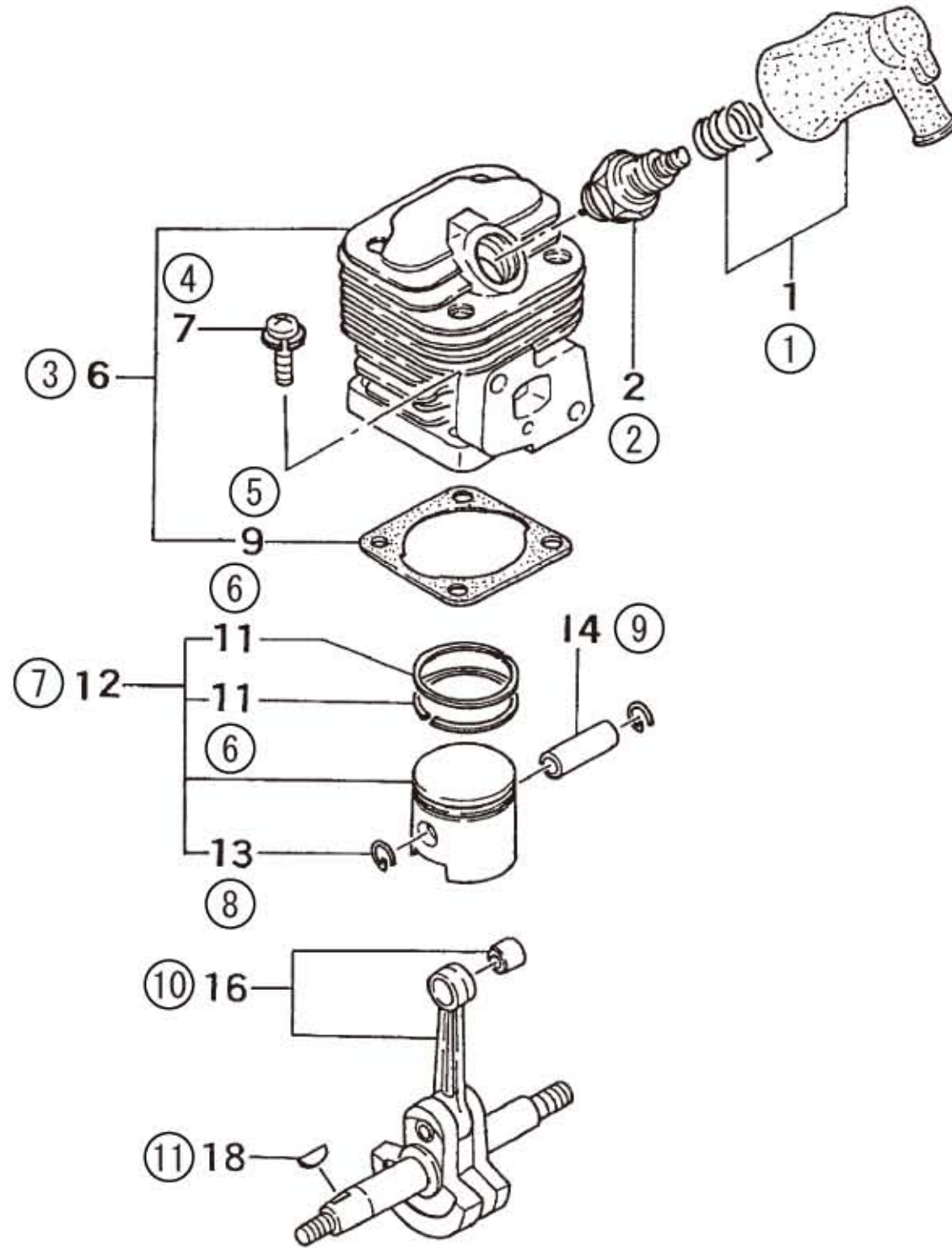
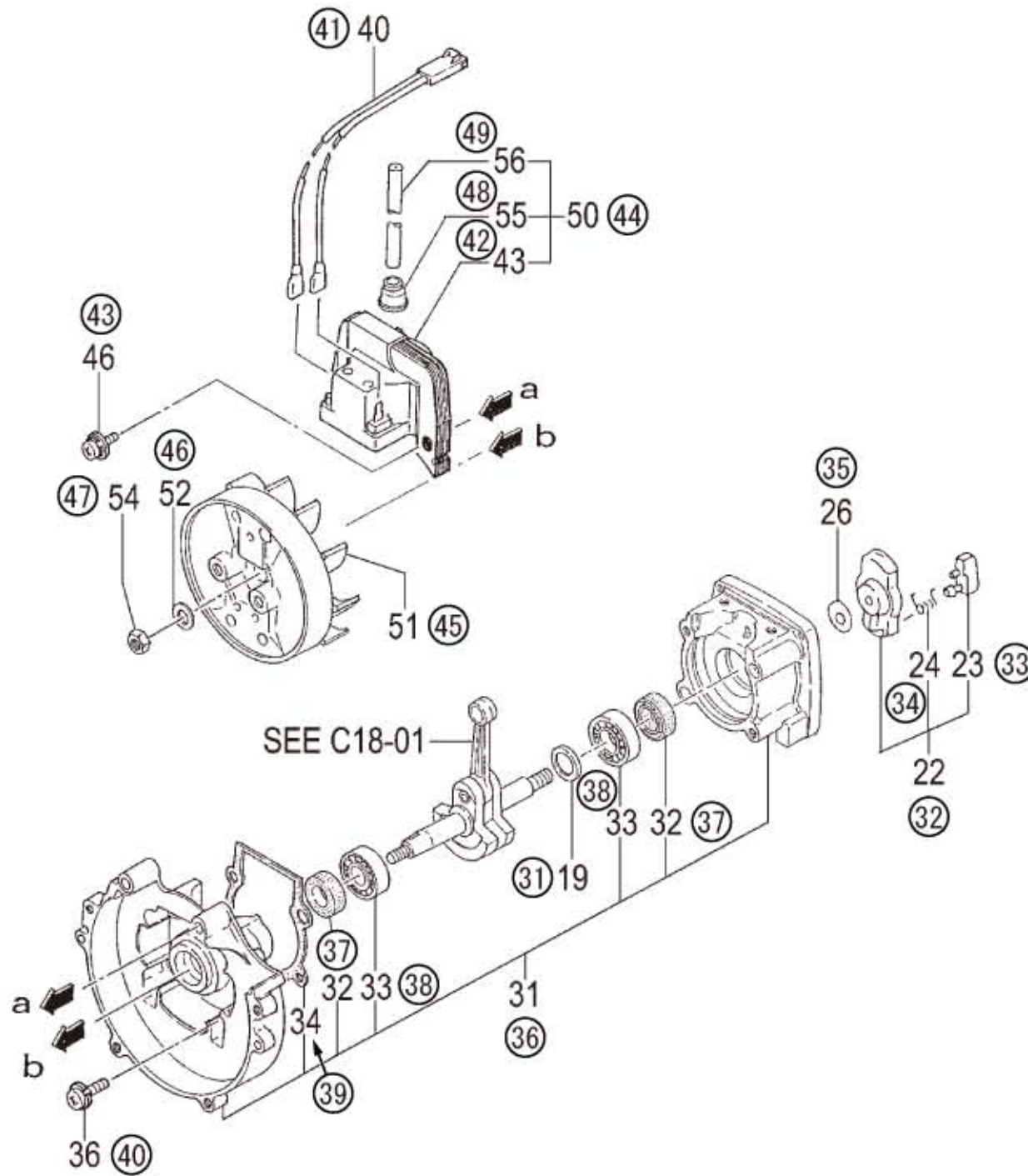


C18-01 CYLINDER/PISTON/CRANK SHAFT



HITACHI NUMBER	REF. NUMBER	PARTS NUMBER	DESCRIPTION	Q'TY	TANAKA PARTS NUMBER
C18-01 CYLINDER/PISTON/CRANK SHAFT					
1	1	668-7466	SPARK PLUG CAP ASS'Y	1	157-0097A-90
2	2	668-5085	SPARK PLUG BPM6A	1	018-11660-21
3	6	668-5446	CYLINDER SET	1	001-0099F-90
4	7	669-5339	SCREW 5X18/S	4	994-14050-181
5	9	668-5709	CYLINDER GASKET	1	017-00980-20
6	11	668-4588	PISTON RING	2	041-01601-20
7	12	668-5870	PISTON SET, SPARE	1	030-0099F-90
8	13	668-6028	PISTON PIN CIRCLIP	2	039-01620-20
9	14	668-6010	PISTON PIN	1	037-01601-20
10	16	668-6200	CRANK SHAFT COMP.	1	046-0631A-81
11	18	668-4899	WOODRUFF KEY 3X13X4.5	1	068-10100-20

C18-02 CRANK CASE

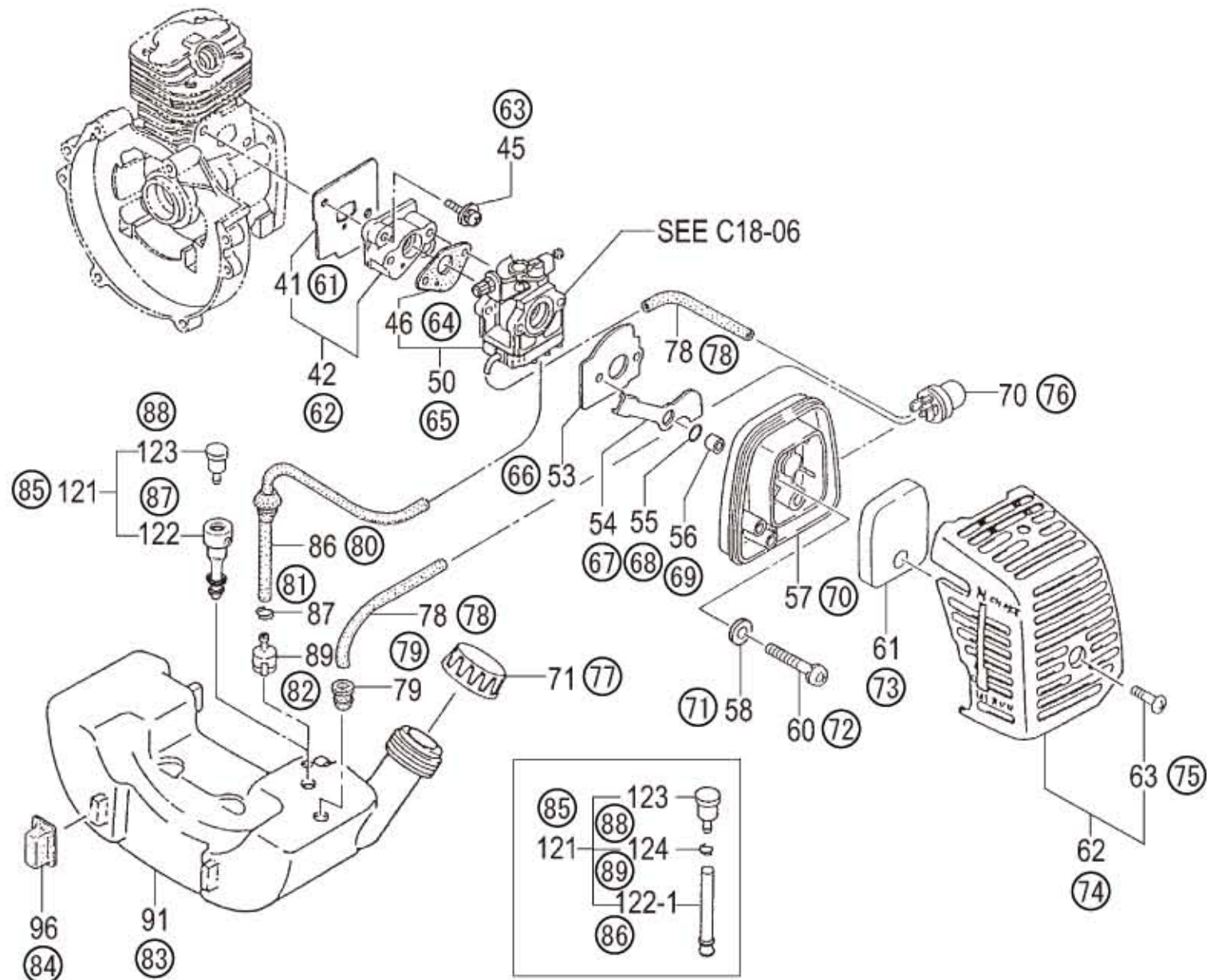


HITACHI NUMBER	REF. NUMBER	PARTS NUMBER	DESCRIPTION	Q'TY	TANAKA PARTS NUMBER
C18-02 CRANK CASE					
31	19	668-9177	GEAR SHAFT SHIM 0.10	V	330-00200-21
31	19	668-9178	GEAR SHAFT SHIM 0.15	V	330-00200-22
31	19	668-4604	GEAR SHAFT SHIM 0.20	V	330-00200-23
31	19	668-4605	GEAR SHAFT SHIM 0.30	V	330-00200-24
32	22	669-3405	STARTER PULLEY ASS'Y	1	798-06500-90
33	23	669-3319	STARTER PAWL	1	788-06500-20
34	24	668-4684	STARTER PAWL SPRING	1	790-06097-20
35	26	668-9645	CLUTCH WASHER B	1	359-10112-20
36	31	668-6493	CRANKCASE ASS'Y	1	072-00980-90
37	32	669-5624	OIL SEAL TC12227	2	999-66122-206
38	33	669-5530	BALL BEARING #6001, 28MM/OD	2	999-61600-100
39	34	668-6718	CRANK CASE GASKET	1	090-06097-20
40	36	669-5343	SCREW 5X25/S	4	994-14050-251
41	40	668-7963	LEAD WIRE ASS'Y	1	191-0129G-90
42	43	668-7641	IGNITION COIL COMP.	1	167-20521-80
43	46	669-5420	SCREW 5X20/WS	2	994-16050-201
44	50	668-7642	IGNITION COIL ASS'Y	1	167-20521-90
45	51	668-7361	MAGNETO ROTOR COMP.	1	155-20508-80
46	52	668-5103	BOLT WASHER M7	1	992-01070-011
47	54	669-5126	NUT 7	1	991-01070-011
48	55	668-4602	RUBBER CAP	1	560-20517-20
49	56	668-8398	HIGH TENSION CORD, 150L	1	264-20516-20

形 名

TPS200/210

C18-03 ENGINE-1

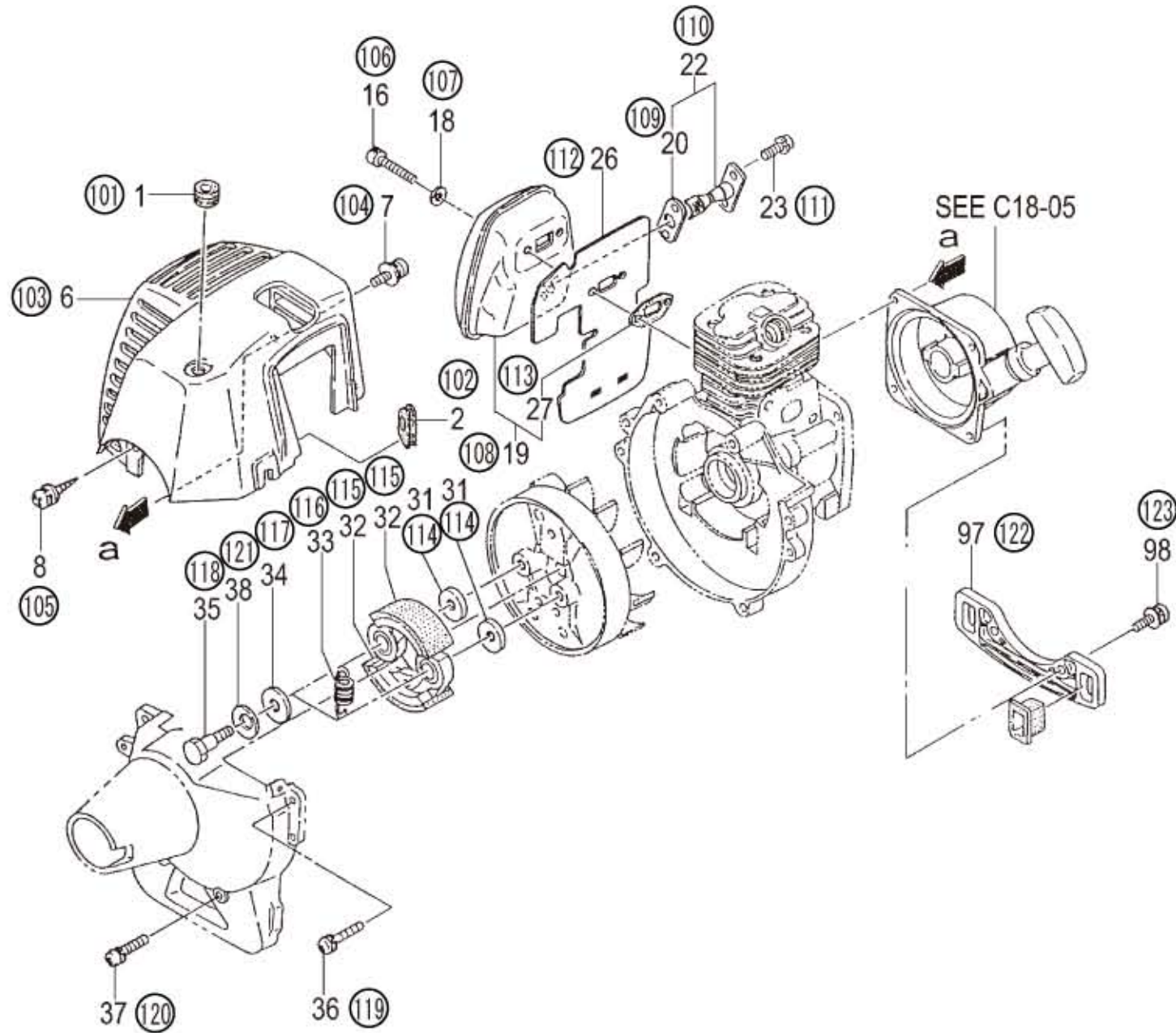


HITACHI NUMBER	REF. NUMBER	PARTS NUMBER	DESCRIPTION	Q'TY	TANAKA PARTS NUMBER
C18-03 ENGINE-1					
61	41	668-9890	INLET MANIFOLD GASKET	1	403-0631A-20
62	42	668-9914	CARB INSULATOR SET	1	404-0099F-90
63	45	669-5422	SCREW 5X22/WS	2	994-16050-221
64	46	668-4615	CARBURETOR GASKET	1	402-0602K-21
65	50	669-0448	CARBURETOR SET, SPARE	1	455-0099M-90
66	53	669-0197	CLEANER BASE	1	436-0162V-20
67	54	669-1255	CHOKE PLATE	1	528-00980-20
68	55	669-5667	O-RING S-8	1	999-67008-012
69	56	669-0803	CLEANER COLLAR	1	470-0602N-20
70	57	669-0117	CLEANER BODY COMP.	1	423-0637C-80
71	58	668-4864	SMALL WASHER 5	2	992-00050-011
72	60	669-5353	SCREW 5X57/S	2	994-14050-571
73	61	669-0362	CLEANER SPONGE	1	446-0637C-20
74	62	668-6281	CLEANER COVER SET	1	051-0099F-90
75	63	668-9737	SPECIAL SCREW	1	380-0637C-20
76	70	668-5139	PRIMING PUMP COMP.	1	442-25143-80
77	71	669-1768	TANK CAP ASS'Y, BLACK	1	595-0656B-90
78	78	669-2347	FUEL PIPE 2.5X4X80	2	700-02504-08
79	79	668-4627	RETURN GROMMET	1	534-32710-20
80	86	668-8169	FUEL PIPE ASS'Y	1	223-0162V-90
81	87	668-4619	CLIP, 6.3 DIA.	1	680-00731-20
82	89	668-4620	PUMP FILTER BODY COMP.	1	675-04042-80
83	91	669-1485	TANK VARMILION	1	591-00995-20
84	96	669-2221	FUEL TANK CUSHION RUBBER	4	655-00940-20
85	121	669-1389	AIR VENT ASS'Y	1	564-06611-90
86	122-1	668-9993	AIR VENT PIPE	1	405-36152-21
87	122	669-1395	AIR VENT PIPE	1	565-04410-20
88	123	669-2171	AIR VENT VALVE ASS'Y	1	646-06612-90
89	124	668-4619	CLIP, 6.3 DIA.	1	680-00731-20

形 名

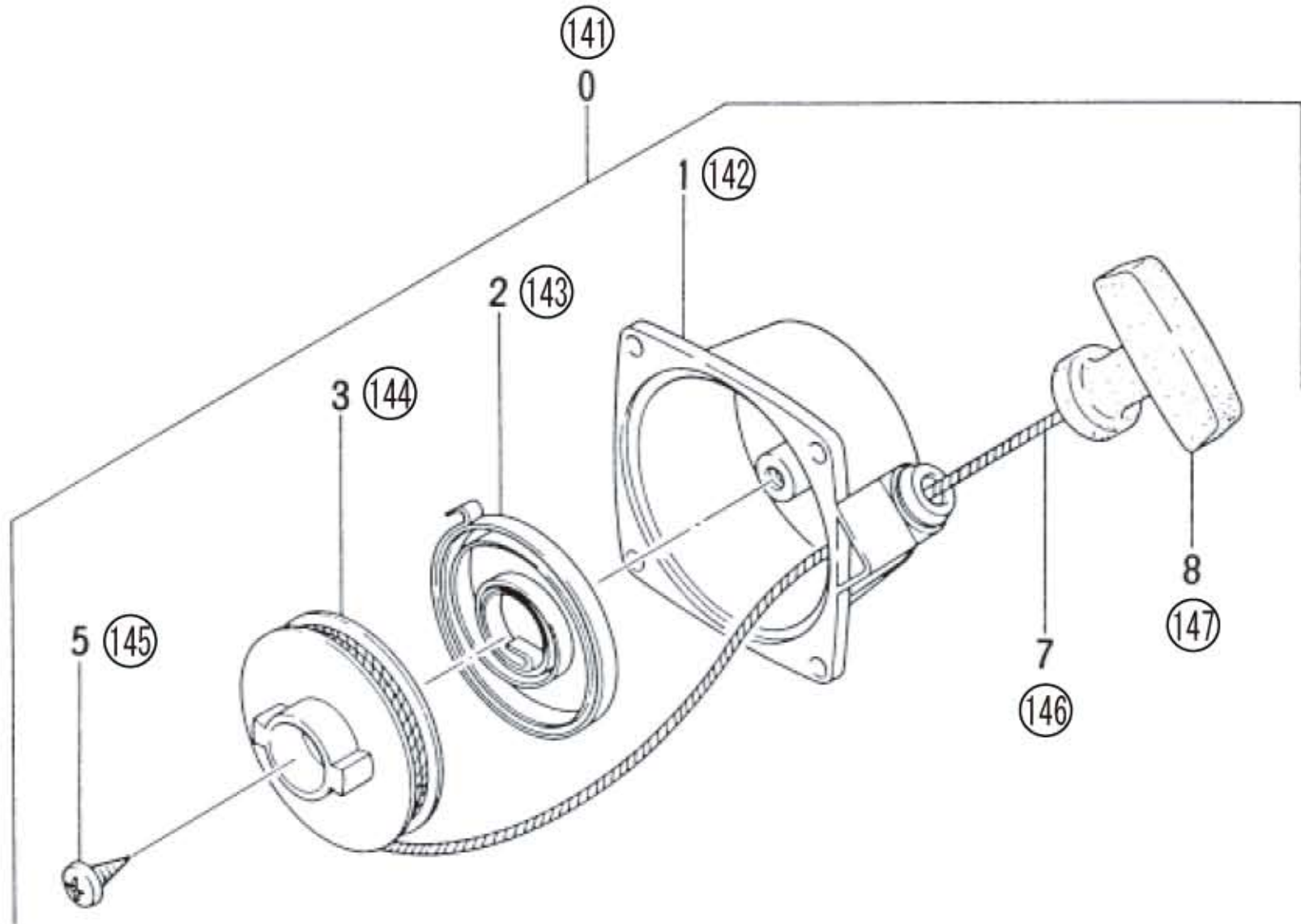
TPS200/210

C18-04 ENGINE-2



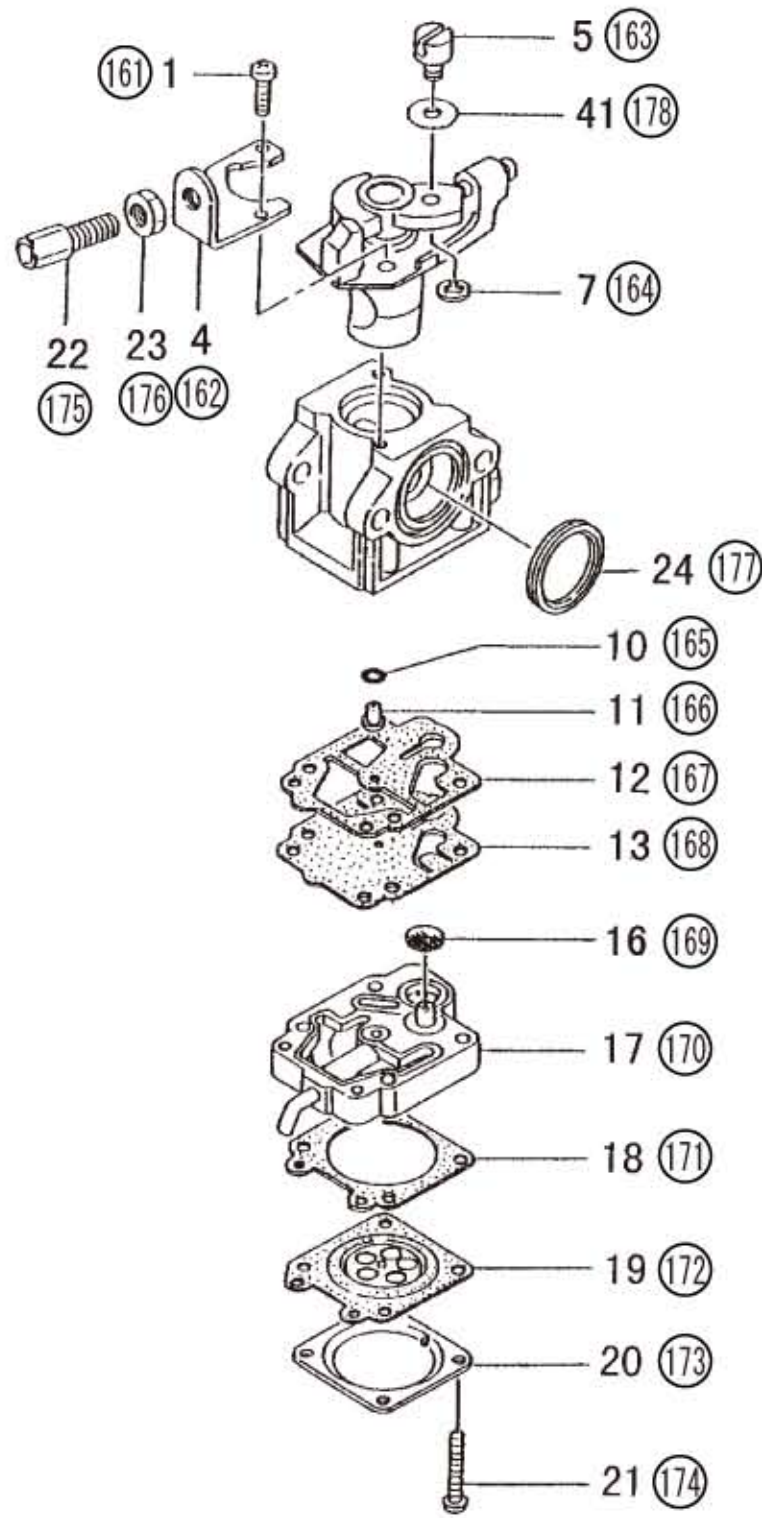
HITACHI NUMBER	REF. NUMBER	PARTS NUMBER	DESCRIPTION	Q'TY	TANAKA PARTS NUMBER
C18-04 ENGINE-2					
101	1	668-8037	SECONDARY CORD GROMMET	1	202-01003-20
102	2	668-8052	GROMMET	1	203-0631A-20
103	6	669-2792	MUFFLER PROTECTOR	1	738-0631A-20
104	7	669-5376	SCREW 4X22/PS	2	994-15040-222
105	8	668-4636	TAPPING SCREW D4.5X16	2	990-72045-164
106	16	668-5114	HEX. SOCKET HD. BOLT M5X50	2	990-51050-503
107	18	668-4661	WASHER 5	2	992-01050-011
108	19	669-2474	MUFFLER SET, SPARE	1	704-0637C-90
109	20	669-2883	MUFFLER SPECIAL GASKET	1	751-04200-20
110	22	669-2664	TAIL PIPE SET, SPARE	1	721-06590-90
111	23	668-5109	MACHINE SCREW (W/SP. WASHER)	2	994-34040-081
112	26	668-7251	HEAT SHIELD	1	133-0631A-20
113	27	669-2743	MUFFLER GASKET	1	737-06100-21
114	31	668-4642	CLUTCH WASHER B	2	359-02103-20
115	32	668-4643	CLUTCH SHOE COMP.	2	290-01620-80
116	33	668-4644	CLUTCH SPRING	1	342-0630B-20
117	34	668-9528	CLUTCH PLATE A	2	348-0602R-20
118	35	668-4646	STEP BOLT	2	357-0075T-20
119	36	669-5421	SCREW 5X20/WS	2	994-16050-202
120	37	669-5428	SCREW 5X42/WS	2	994-16050-422
121	38	668-4648	BENT WASHER 8	2	992-05080-030
122	97	669-2210	TANK BRACKET	1	653-0631A-20
123	98	669-5376	SCREW 4X22/PS	2	994-15040-222

C18-05 RECOIL STARTER



HITACHI NUMBER	REF. NUMBER	PARTS NUMBER	DESCRIPTION	Q'TY	TANAKA PARTS NUMBER
B15-05 RECOIL STARTER					
141	0	669-2978	RECOIL STARTER BODY ASS'Y	1	762-06097-90
142	1	669-3034	RECOIL STARTER BODY COMP.	1	772-06097-80
143	2	668-4675	RECOIL SPRING	1	780-06097-20
144	3	669-3066	STARTER ROPE REEL	1	774-06097-20
145	5	669-3633	SET SCREW	1	839-02010-20
146	7	669-3168	STARTER ROPE	1	783-06097-20
147	8	669-3235	STARTER HANDLE	1	785-06097-20

C18-06 CARBURETOR

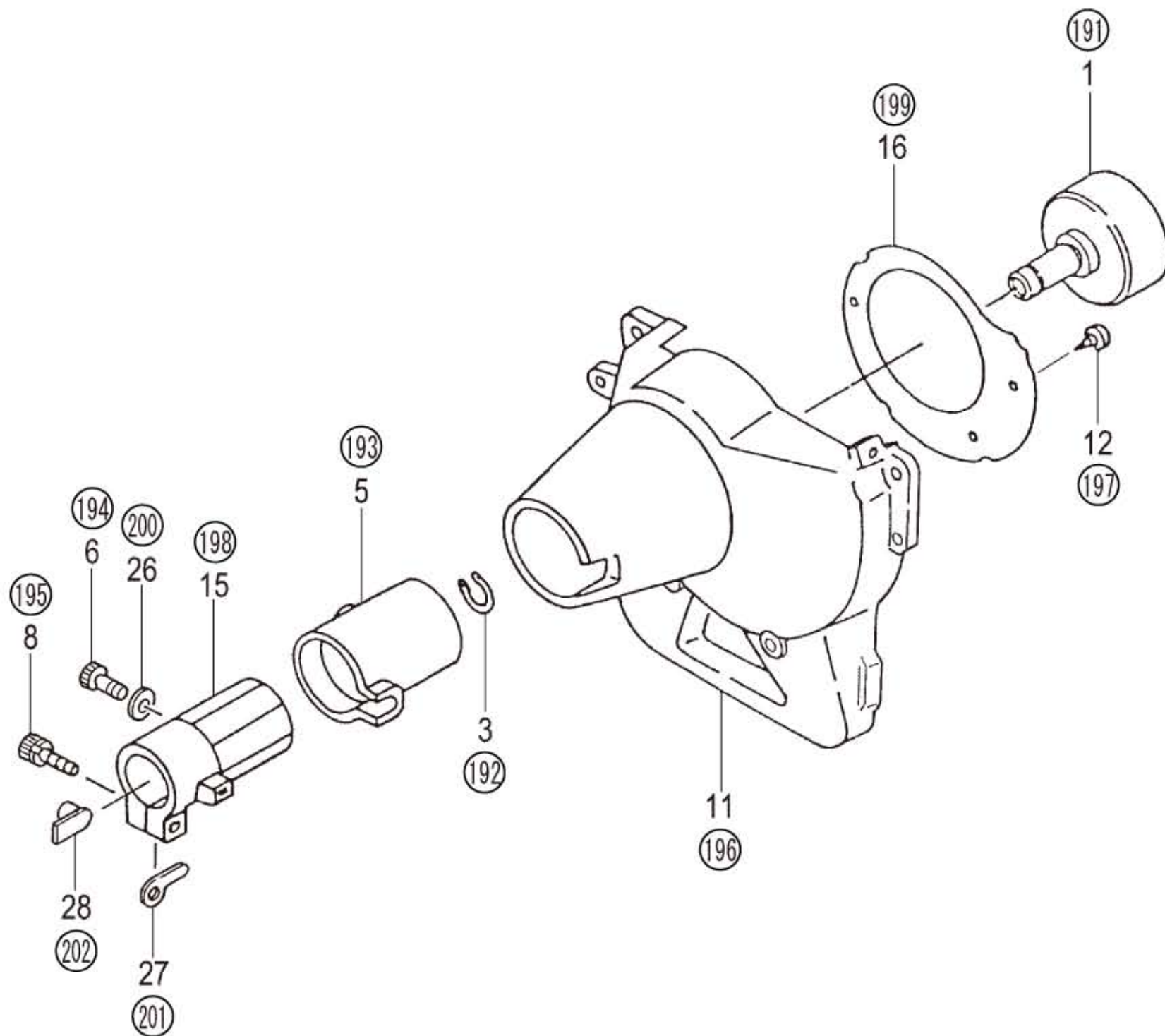


HITACHI NUMBER	REF. NUMBER	PARTS NUMBER	DESCRIPTION	Q'TY	TANAKA PARTS NUMBER
C18-06 CARBURETOR					
161	1	668-4870	THROTTLE SET SCREW	2	514-25100-20
162	4	668-4873	CABLE ADJUSTER STAY	1	544-25164-20
163	5	668-4697	SWIVEL	1	539-25120-20
164	7	668-4696	STOP RING	1	489-25100-20
165	10	668-4695	O-RING	1	550-25100-20
166	11	669-1848	MAIN JET #43	1	599-2000W-43
167	12	669-1457	PUMP GASKET	1	577-25100-20
168	13	668-4693	PUMP DIAPHRAGM	1	576-25100-20
169	16	668-4700	INLET SCREEN	1	578-25007-20
170	17	669-1430	PUMP BODY COMP.	1	575-25147-80
171	18	668-5220	DIAPHRAGM PACKING	1	475-25038-20
172	19	669-0827	METERING DIAPHRAGM COMP.	1	474-25001-80
173	20	668-5222	DIAPHRAGM COVER	1	476-25004-20
174	21	669-1312	SET SCREW	4	548-25101-20
175	22	668-4871	CABLE ADJUSTER	1	614-25137-20
176	23	669-2005	CABLE ADJUST NUT	1	613-25100-20
177	24	668-4875	CLEANER PACKING	1	431-0634C-20
178	41	668-4874	THRUST WASHER	1	549-25165-20
		669-2189	CARB. REPAIR KIT, K1-WYJ	1	650-25124-90

形 名

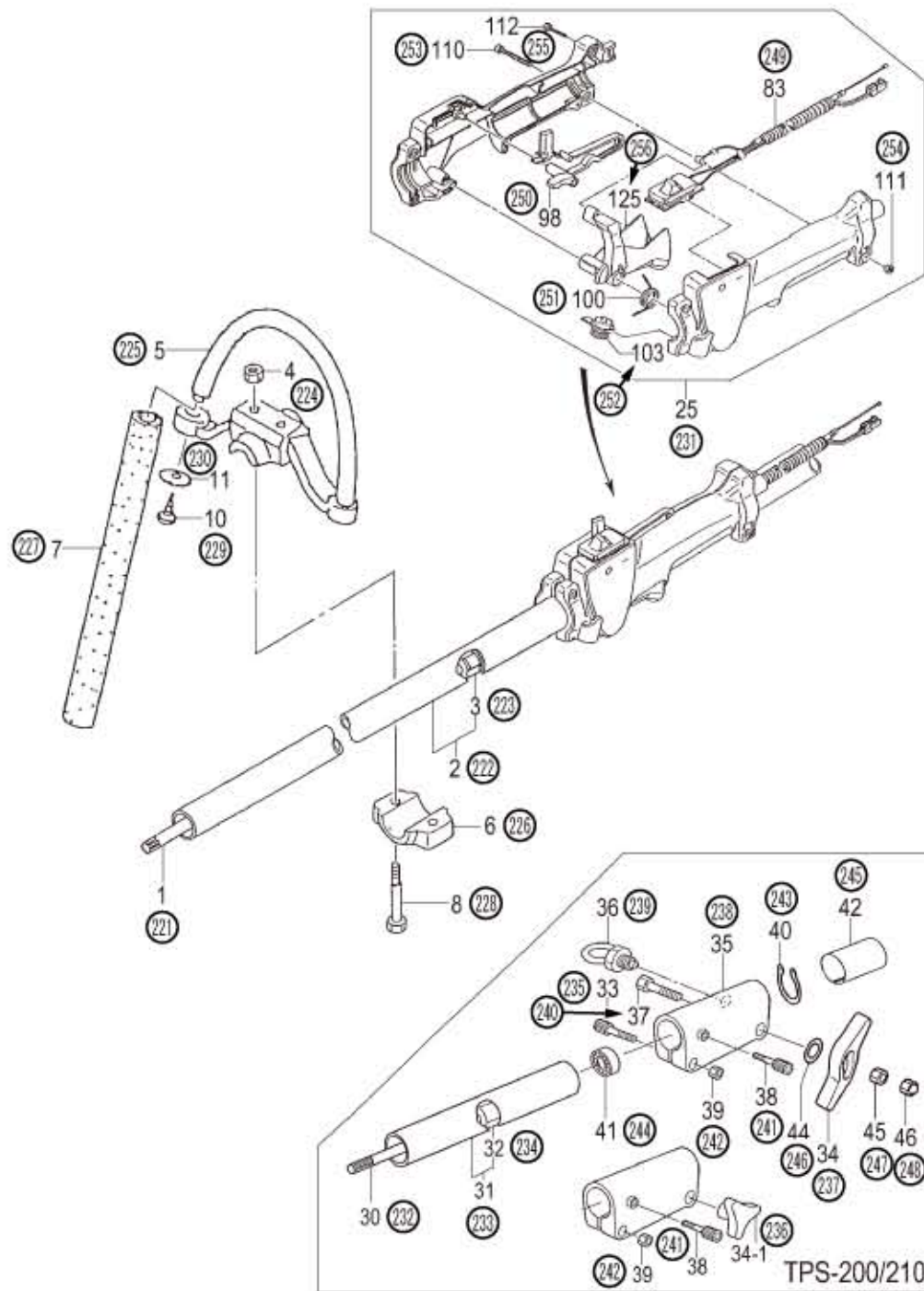
TPS200/210

C18-07 FANCASE



HITACHI NUMBER	REF. NUMBER	PARTS NUMBER	DESCRIPTION	Q'TY	TANAKA PARTS NUMBER
C18-07 FANCASE					
191	1	668-8574	CLUTCH DRUM COMP.	1	289-00980-80
192	3	668-4664	STOP RING C-12 OUTER	1	993-50012-002
193	5	669-1823	CUSHION RUBBER	1	599-00980-21
194	6	669-5046	HEX. HOLE BOLT 5X16	1	990-51050-163
195	8	668-4709	HEX.HOLE BOLT M5X25/S	1	994-61050-254
196	11	668-6900	FANCASE COMP.,VERMILION	1	112-00980-81
197	12	668-4636	TAPPING SCREW D4.5X16	3	990-72045-164
198	15	668-9650	PIPE HOLDER, 24 DIA.	1	360-00990-20
199	16	668-6736	HEAT SHIELD	1	091-00980-20
200	26	668-4918	WASHER M5	1	992-01050-061
201	27	668-9159	GEAR CASE WASHER	1	324-37350-20
202	28	668-9664	METAL FITTING	1	361-00990-20

C18-08 THROTTLE LEVER/HANDLE

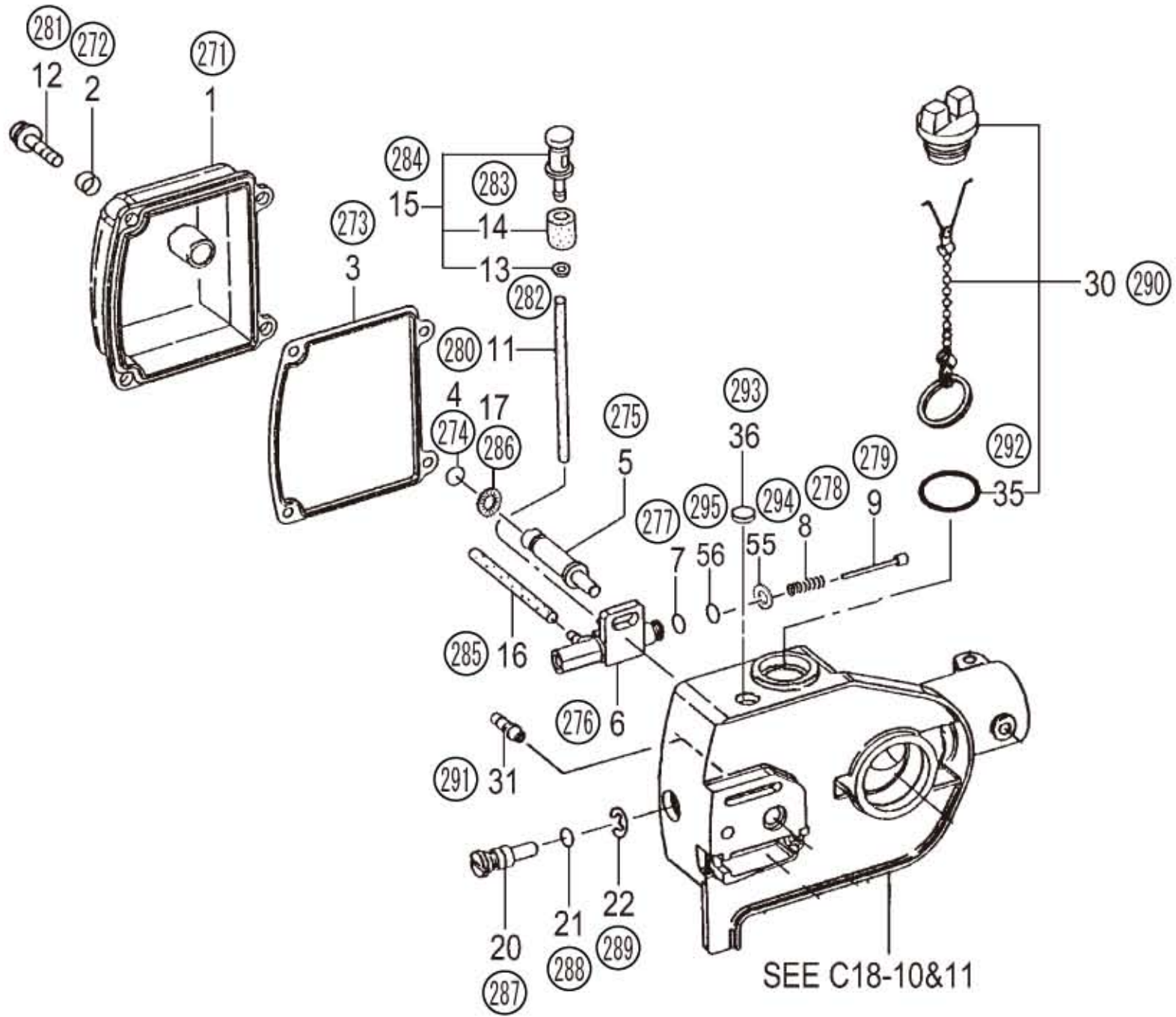


HITACHI NUMBER	REF. NUMBER	PARTS NUMBER	DESCRIPTION	Q'TY	TANAKA PARTS NUMBER
C18-08 THROTTLE LEVER/HANDLE					
221	1	NLA	No Longer Avairable	1	343-32304-20
222	2	668-9307	DRIVE SHAFT PIPE COMP.	1	341-32304-80
223	3	668-9521	BUSHING ASS'Y	6	347-37601-90
224	4	668-4835	HEX.NUT 6	2	991-01060-041
225	5	669-1046	LOOP HANDLE, 24 DIA.,BLACK	1	500-37286-20
226	6	669-1134	HANDLE BRACKET A	1	506-37300-20
227	7	669-1098	HANDLE GRIP	1	503-3738E-20
228	8	668-4838	BOLT 6X43/P (BLACK)	2	994-23060-432
229	10	669-5255	TAPPING SCREW 5X20	1	993-11052-012
230	11	668-9681	BRAKE SHAFT WASHER	1	368-32350-20
231	25	669-3764	THROTTLE LEVER ASS'Y, 24 DIA.	1	870-38400-90
232	30	668-9441	DRIVE SHAFT COMP.	1	343-32331-80
233	31	668-9310	DRIVE SHAFT PIPE COMP.	1	341-32331-80
234	32	668-9521	BUSHING ASS'Y	1	347-37601-90
235	33	668-4709	HEX.HOLE BOLT M5X25/S	1	994-61050-254
236	34-1	669-1205	HANDLE KNOB COMP.	1	512-33700-81
237	34	668-4823	HANDLE KNOB	1	512-3338P-20
238	35	668-8516	JOINT CASE	1	280-32331-21
239	36	668-9601	LOCK PIN COMP.	1	352-32331-80
240	37	669-4992	BOLT 6X35	1	990-21060-351
240	37	668-4824	HEX.BOLT 6X50	1	990-21060-504
241	38	669-5042	HEX. HOLE BOLT 5X10	1	990-51050-103
242	39	668-5075	NUT M5 (BLACK)	1	991-01050-041
243	40	668-4821	STOP RING C-10, OUTER	1	993-50010-002
244	41	669-5578	BALL BEARING 6900ZZ, 22MM/OD	1	999-61690-001
245	42	668-9530	COLLAR B	1	348-33130-20
246	44	668-4642	CLUTCH WASHER B	1	359-02103-20
247	45	668-4792	NUT M6	1	991-01060-011
248	46	668-4828	CAP NUT 6	1	991-42060-012
249	83	669-3978	THROTTLE WIRE COMP.	1	885-38400-80
250	98	668-4721	SAFETY LEVER	1	253-38400-20
251	100	668-4722	RETURN SPRING	1	832-38400-20
252	103	669-3807	THROTTLE STOPPER COMP.	1	881-38400-80
253	110	668-4803	SCREW M5X20	2	994-31050-203
254	111	668-4727	CONTAL NUT 5	2	991-01050-043
255	112	668-4725	SCREW M4X20 (BLACK)	4	993-46040-202
256	125	668-4804	THROTTLE LEVER	1	880-38400-20

形 名

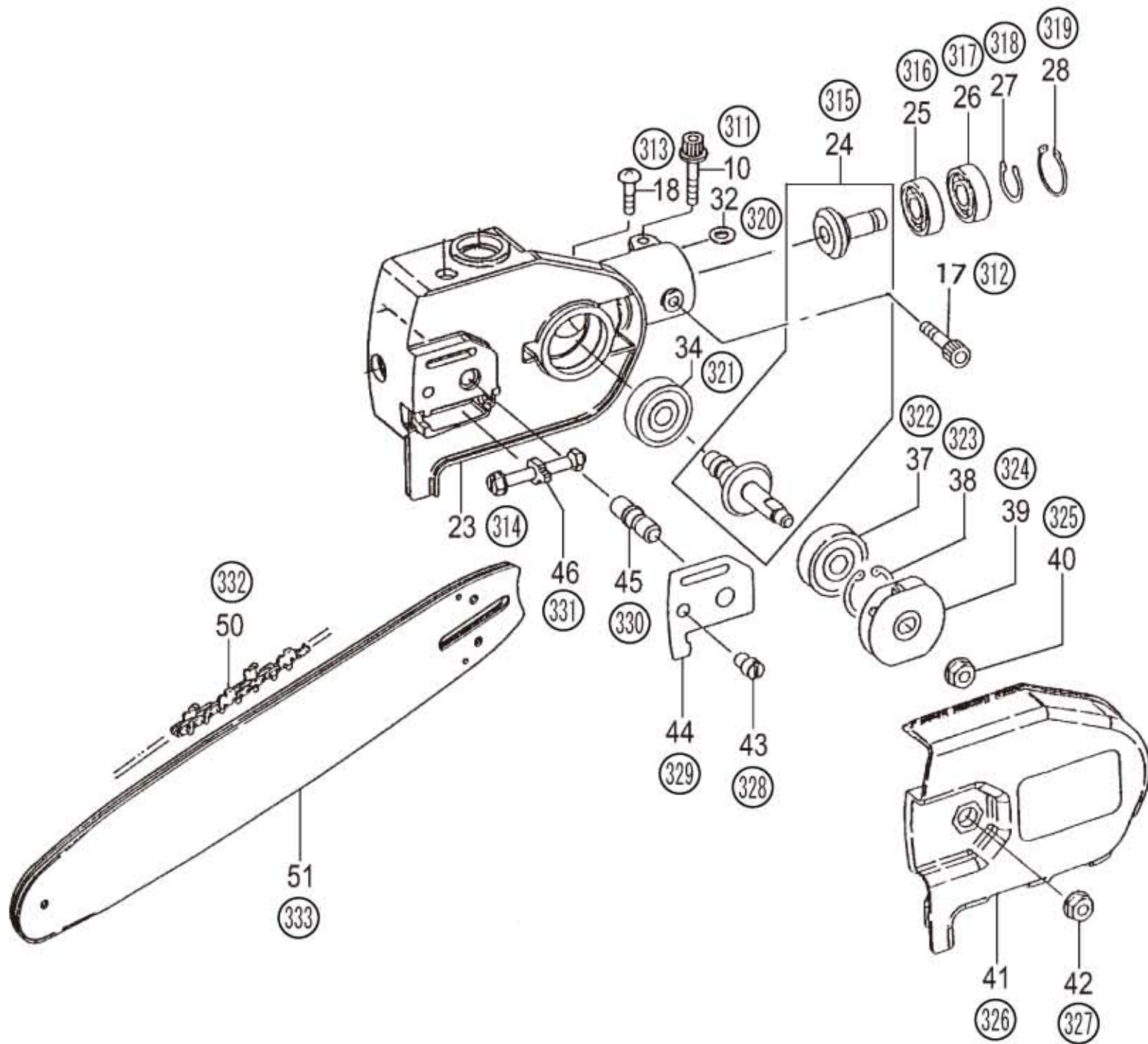
TPS200/210

C18-09 GEAR CASE-1



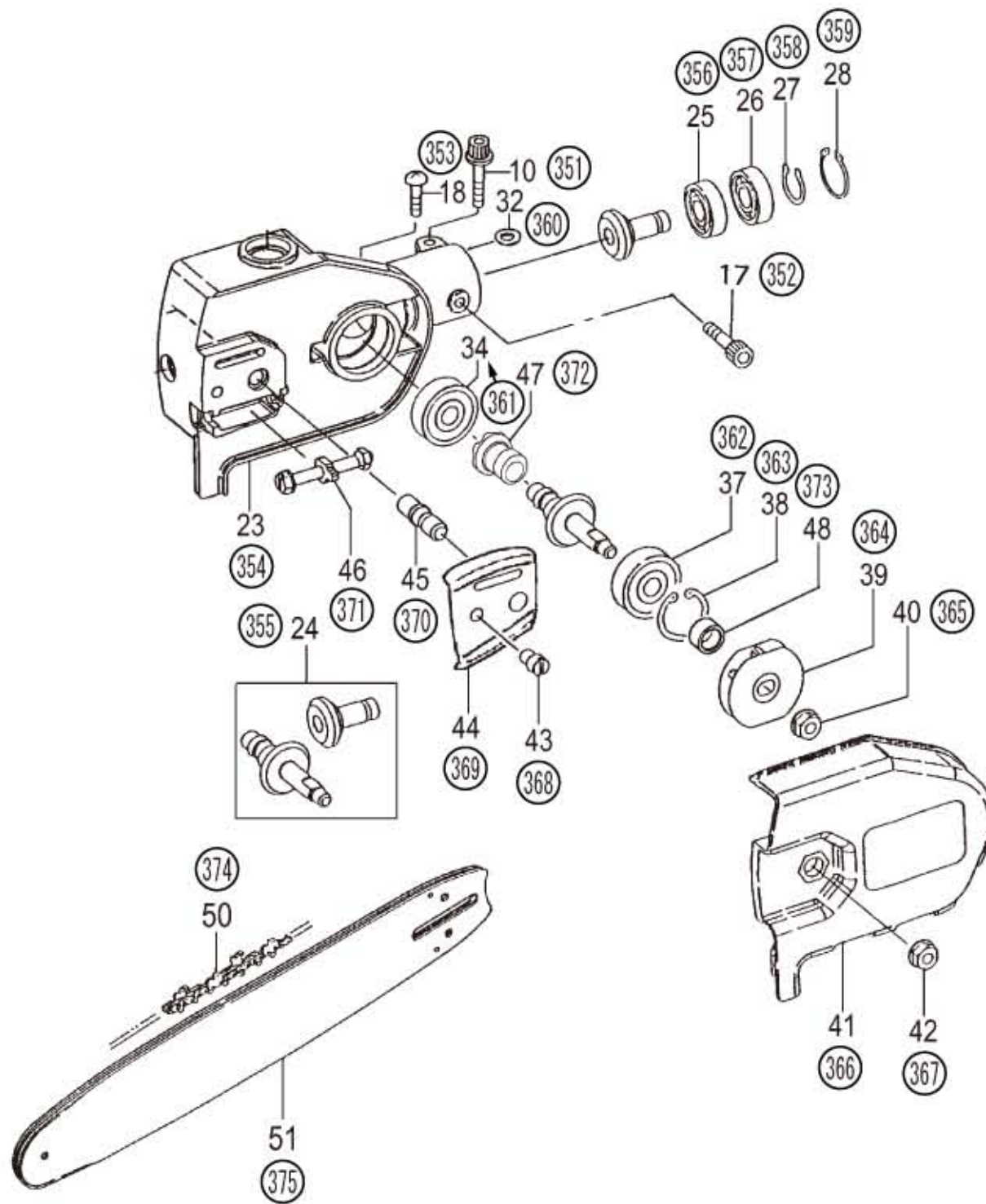
HITACHI NUMBER	REF. NUMBER	PARTS NUMBER	DESCRIPTION	Q'TY	TANAKA PARTS NUMBER
C18-09 GEAR CASE-1					
271	1	668-6138	OIL TANK COVER	1	041-32304-20
272	2	668-5961	COLLAR 3	4	031-32304-20
273	3	669-0084	OIL TANK GASKET	1	422-32304-21
274	4	669-5661	O-RING P-5	1	999-67005-000
275	5	668-9757	STEP BOLT A	1	382-32304-20
276	6	668-6487	OIL PUMP COMP.	1	071-32344-80
277	7	669-5661	O-RING P-5	1	999-67005-000
278	8	669-0381	OIL PUMP SPRING	1	449-32304-20
279	9	668-6608	OIL PUMP PISTON COMP.	1	073-32304-81
280	11	669-2414	FUEL PIPE 3X5X60	1	700-53005-06
281	12	669-5402	SCREW 4X12/WS	4	994-16040-121
282	13	668-4661	WASHER 5	1	992-01050-011
283	14	669-0919	OIL FILTER	1	487-32712-20
284	15	669-0913	FILTER ASS'Y	1	486-32345-90
285	16	669-2415	FUEL PIPE 3X5X75	1	700-53005-07
286	17	669-5239	8 PUSH NUT	1	992-30080-000
287	20	669-1066	OIL PUMP ADJUSTER	1	501-32304-21
288	21	669-5661	O-RING P-5	1	999-67005-000
289	22	669-5311	STOP RING E-6	1	993-55060-001
290	30	669-2050	OIL TANK CAP ASS'Y	1	624-32304-92
291	31	668-6637	BANJO, OIL PUMP	1	082-32304-20
292	35	669-5670	O-RING P-15	1	999-67015-000
293	36	669-1399	AIR VENT COVER	1	566-04063-20
294	55	669-5187	WASHER 2	1	992-01020-011
295	56	669-5656	O-RING 1.4	1	999-67001-413

C18-10 GEAR CASE-2 (SERIAL NO. - Z042300)



HITACHI NUMBER	REF. NUMBER	PARTS NUMBER	DESCRIPTION	Q'TY	TANAKA PARTS NUMBER
C18-10 GEAR CASE-2 (SERIAL NO. - Z042300)					
311	10	669-5492	HEX. HOLE BOLT 5X22/S	1	994-61050-224
312	17	669-5042	HEX. HOLE BOLT 5X10	1	990-51050-103
313	18	669-4922	SCREW 6X6	1	990-11060-061
313	18	669-5458	SCREW 6X8	1	994-31060-081
314	23	668-5792	CASE	1	019-32304-20
314	23	668-5793	CASE	1	019-32304-22
315	24	668-8835	GEAR/PINION SET, SPARE	1	301-32304-00
316	25	668-4734	BALL BEARING 609	1	999-61609-000
317	26	668-4735	BALL BEARING 609Z ST	1	999-61609-002
318	27	669-5281	STOP RING C-9, OUTER	1	993-50009-002
319	28	668-4732	STOP RING C-24, INNER	1	993-51024-002
320	32	669-3248	STARTER PAWL WASHER	1	786-00601-20
321	34	668-4738	BALL BEARING #608,22MM/OD	1	999-61608-000
322	37	669-5576	BALL BEARING 638Z	1	999-61638-002
323	38	668-4741	STOP RING C-28, INNER	1	993-51028-002
324	39	668-9117	SPROCKET COMP., 3/8	1	319-32304-80
325	40	669-5170	FLANGE NUT 6	1	991-82060-001
326	41	668-6038	SIDE COVER COMP.	1	039-32304-80
327	42	668-7105	CHAIN BAR CLAMP NUT	1	121-32600-20
328	43	668-7129	GUIDE BAR KNOCK PIN	1	122-32304-20
329	44	669-0725	GUIDE PLATE	1	461-32304-20
330	45	668-6802	GUIDE BAR TIGHTENING BOLT	1	101-32304-20
331	46	668-7063	CHAIN TENSIONER ASS'Y	1	116-32304-90
332	50	668-7176	SAW CHAIN, 10 INCH, 3/8	1	127-32304-20
333	51	668-6875	GUIDE BAR, 10 INCH, S/N	1	110-32304-20

C18-11 GEAR CASE-2 (SERIAL NO.Z042301 -)

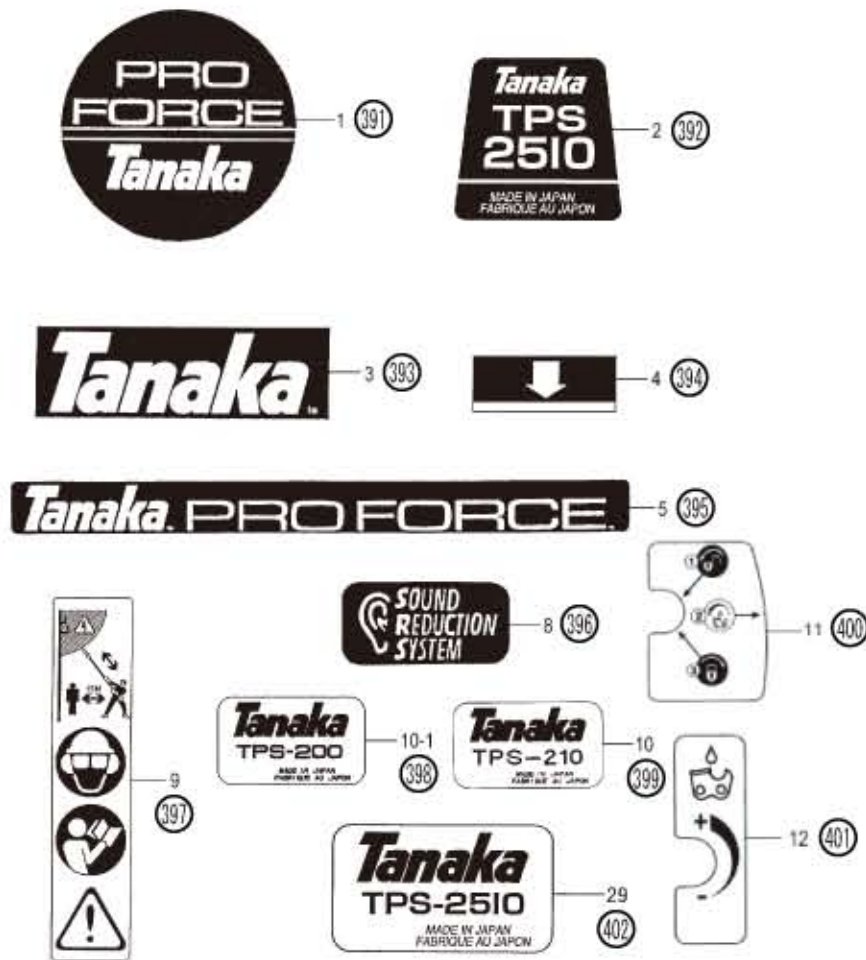


HITACHI NUMBER	REF. NUMBER	PARTS NUMBER	DESCRIPTION	Q'TY	TANAKA PARTS NUMBER
C18-11 GEAR CASE-2 (SERIAL NO. Z042301 -)					
351	10	669-5492	HEX. HOLE BOLT 5X22/S	1	994-61050-224
352	17	669-5042	HEX. HOLE BOLT 5X10	1	990-51050-103
353	18	669-5458	SCREW 6X8	1	994-31060-081
354	23	668-5793	CASE	1	019-32304-22
355	24	668-8836	GEAR PINION SET SPARE	1	301-32344-00
356	25	668-4734	BALL BEARING 609	1	999-61609-000
357	26	668-4735	BALL BEARING 609Z ST	1	999-61609-002
358	27	669-5281	STOP RING C-9, OUTER	1	993-50009-002
359	28	668-4732	STOP RING C-24,INNER	1	993-51024-002
360	32	669-3248	STARTER PAWL WASHER	1	786-00601-20
361	34	669-5568	BALL BEARING 627 C3	1	999-61627-000
362	37	669-5576	BALL BEARING 638Z	1	999-61638-002
363	38	668-4741	STOP RING C-28,INNER	1	993-51028-002
364	39	668-9117	SPROCKET COMP.,3/8	1	319-32304-80
365	40	669-5170	FLANGE NUT 6	1	991-82060-001
366	41	668-6038	SIDE COVER COMP.	1	039-32304-80
367	42	668-7105	CHAIN BAR CLAMP NUT	1	121-32600-20
368	43	668-7130	CHAIN BAR KNOCK PIN	1	122-32344-21
369	44	669-0726	GUIDE PLATE	1	461-32344-20
370	45	668-6803	CHAIN BAR TIGHTENING BOLT	1	101-32344-21
371	46	668-7063	CHAIN TENSIONER ASS'Y	1	116-32304-90
372	47	669-0428	CAM	1	452-32344-20
373	48	668-5962	COLLAR	1	031-32344-20
374	50	668-7176	SAW CHAIN, 10 INCH, 3/8	1	127-32304-20
375	51	668-6875	GUIDE BAR, 10 INCH, S/N	1	110-32304-20

形 名

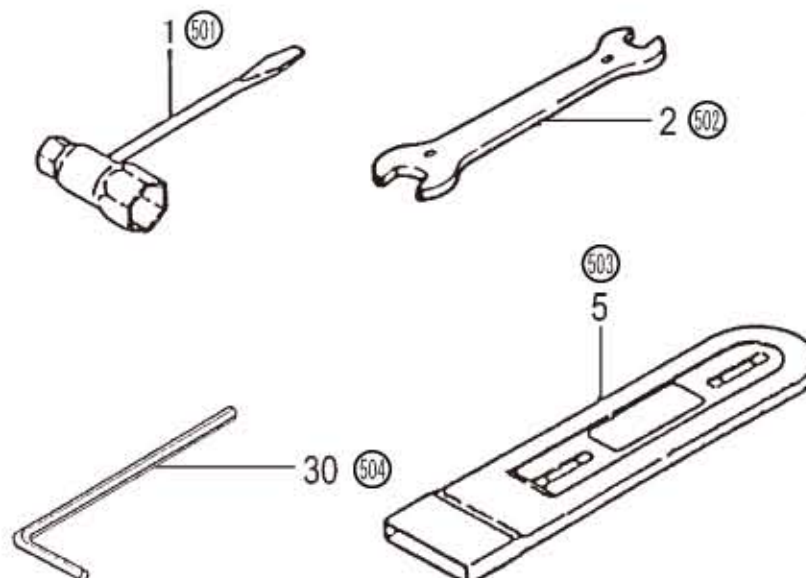
TPS200/210

C18-12 LABELS



HITACHI NUMBER	REF. NUMBER	PARTS NUMBER	DESCRIPTION	Q'TY	TANAKA PARTS NUMBER
C18-12 LABELS					
391	1	669-4818	PROFORCE MARK A	1	950-37503-20
392	2	669-4076	NAME PLATE, TPS-2510	1	906-0099T-20
393	3	669-4465	TANAKA MARK	1	915-05015-20
394	4	668-4851	LEVEL MARK	2	923-33700-20
395	5	669-4823	PROFORCE MARK B	1	951-31310-20
396	8	669-4455	SOUND LABEL	1	911-06500-20
397	9	669-4416	CUATION MARK	1	907-32304-20
398	10-1	669-4709	SYMBOL MARK TPS200	1	929-32331-20
399	10	669-4716	SYMBOL MARK TPS210	1	929-32498-20
400	11	669-4578	OIL ADJUSTMENT MARK	1	922-32345-20
401	12	669-4576	OIL MARK	1	921-32345-20
402	29	669-4707	SYMBOL MARK B	1	929-32304-20

C18-13 TOOLS



HITACHI NUMBER	REF. NUMBER	PARTS NUMBER	DESCRIPTION	Q'TY	TANAKA PARTS NUMBER
C18-13 TOOLS					
501	1	669-3809	COMBI. BOX SPANNER 13X19 M	1	883-32600-20
502	2	668-4766	WRENCH 8X10	1	801-20000-20
503	5	669-4796	GUIDE BAR COVER, 10	1	941-32333-20
504	30	668-4813	HEX. BAR WRENCH 4MM	1	813-20000-20

形 名
TPS200/210