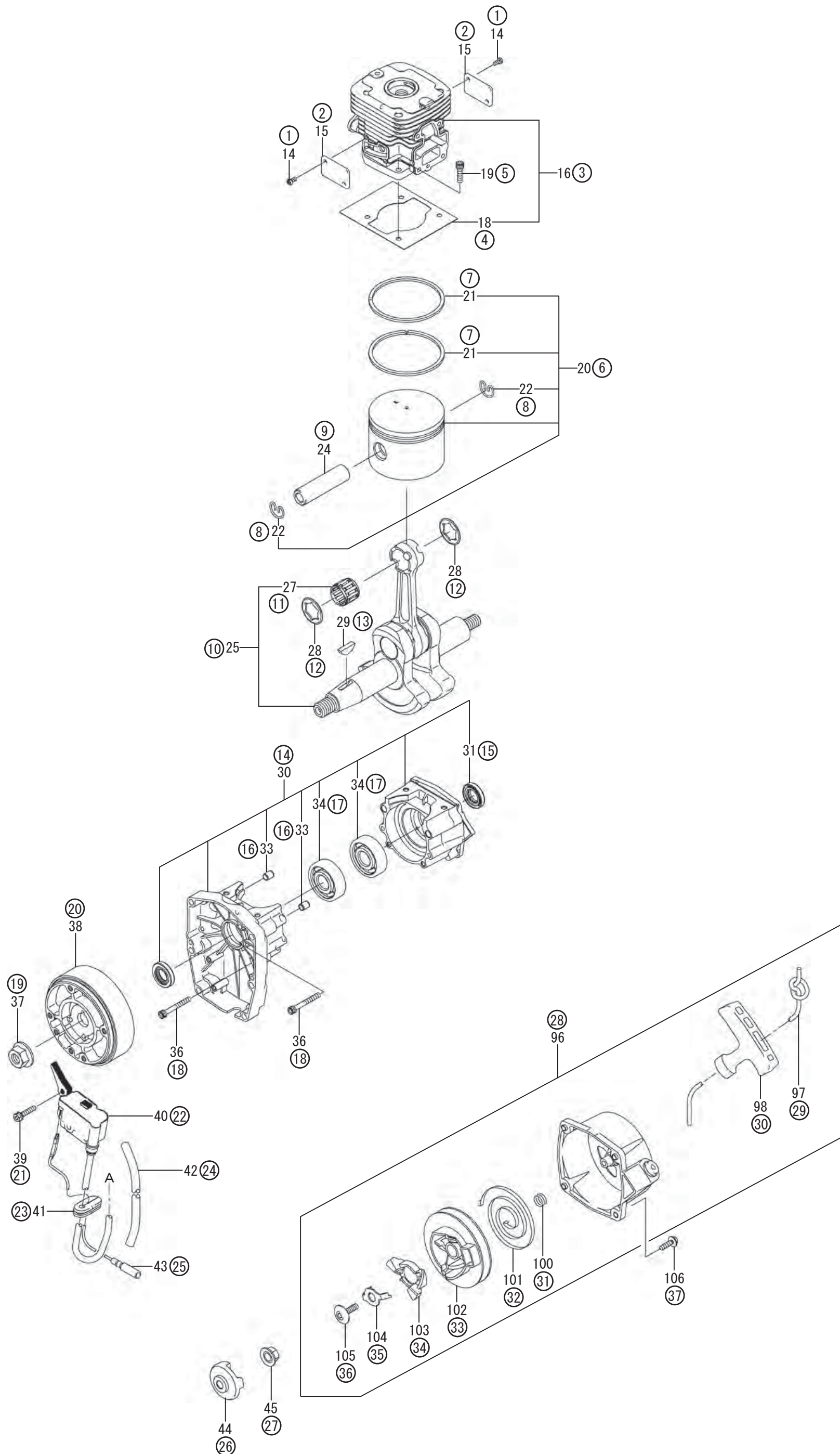


S59-01 ENGINE-1

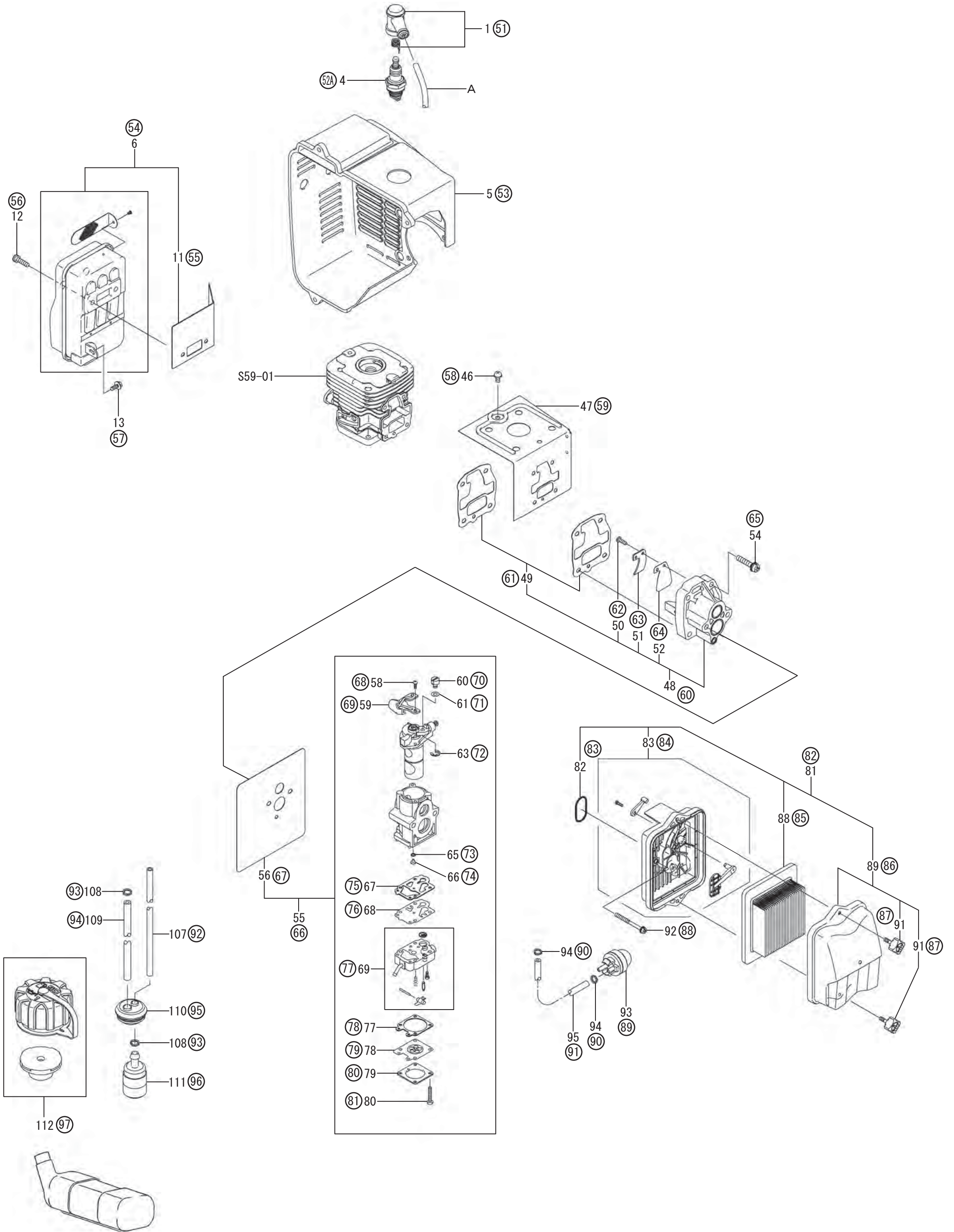


形 名
TRB65EF-1

S59-01 ENGINE-1

HITACHI NUMBER	REF. NUMBER	TANAKA No.	SERVICE CODE No.	DESCRIPTION	Q'TY		
S59-01 ENGINE-1							
1	14	994-31040-081	669-7581	SCREW 4X8	4		
2	15	050-16008-20	669-7475	PLATE	2		
3	16	001-16008-90	669-7457	CYLINDER SET	1		
4	18	017-16008-20	669-7461	CYLINDER GASKET	1		
5	19	990-51050-203	669-5048	HEX. HOLE BOLT 5X20	4		
6	20	030-16008-90	669-7466	PISTON SET	1		
7	21	041-16008-20	669-7472	PISTON RING	2		
8	22	039-16008-20	669-7471	SNAP RING	2		
9	24	037-16008-20	669-7470	PISTON PIN	1		
10	25	046-16008-90	669-7474	CRANK SHAFT ASS'Y	1		
11	27	800-31910-80	669-7559	NEEDLE BEARING	1		
12	28	036-16008-20	669-7468	SPACER	2		
13	29	068-16008-20	669-7479	WOODRUFF KEY	1		
14	30	072-16008-90	669-7480	CRANK CASE ASS'Y	1		
15	31	999-66173-003	669-7587	OIL SEAL (TC17306)	2		
16	33	999-05081-103	669-7586	PIN D8X10	2		
17	34	999-61630-312	669-5573	BALL BEARING 6303-9	2		
18	36	990-51050-403	669-5054	HEX. HOLE BOLT 5X40	4		
19	37	991-14100-010	669-7569	FLANGE NUT M10	1		
20	38	155-16008-80	669-7488	FLYWHEEL ROTOR	1		
21	39	994-20040-201	669-7580	BOLT (W/W)M4X20	2		
22	40	167-16008-80	669-7491	IGNITION COIL ASS'Y	1		
23	41	202-16008-20	669-7494	GROMMET	1		
24	42	700-06074-30	669-7549	TUBE (6X7.4X300)	1		
25	43	178-16008-80	669-7492	LEAD WIRE	1		
26	44	798-16008-20	669-7558	STARTING PULLEY	1		
27	45	994-45080-001	669-7584	NUT(W/W) M8	1		
28	96	762-16008-90	669-7553	RECOIL STARTER ASS'Y	1		
29	97	783-16008-20	669-7556	ROPE (3.5X1000)	1		
30	98	785-16008-20	669-7557	STARTER GRIP	1		
31	100	836-16008-20	669-7561	FRICTING SPRING	1		
32	101	779-16008-20	669-7555	RECOIL SPRING	1		
33	102	768-16008-20	669-7554	REEL	1		
34	103	837-16008-20	669-7562	PAWL	1		
35	104	801-16008-20	669-7560	RETAINER	1		
36	105	839-16008-20	669-7563	SET SCREW	1		
37	106	994-15040-161	669-7578	MACHINE SCREW M4X16	4		

S59-02 ENGINE-2

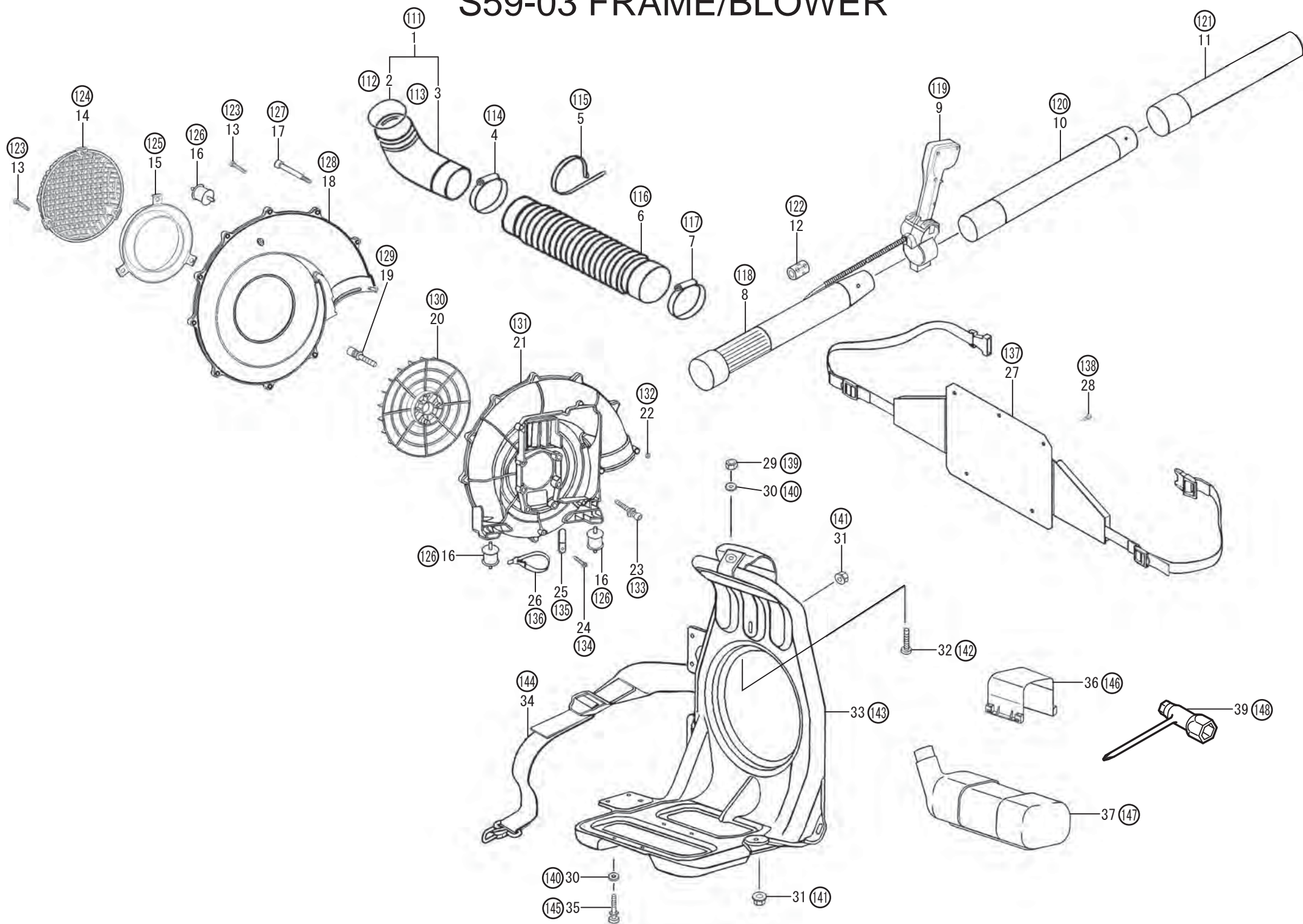


形 名
TRB65EF-3

S59-02 ENGINE-2

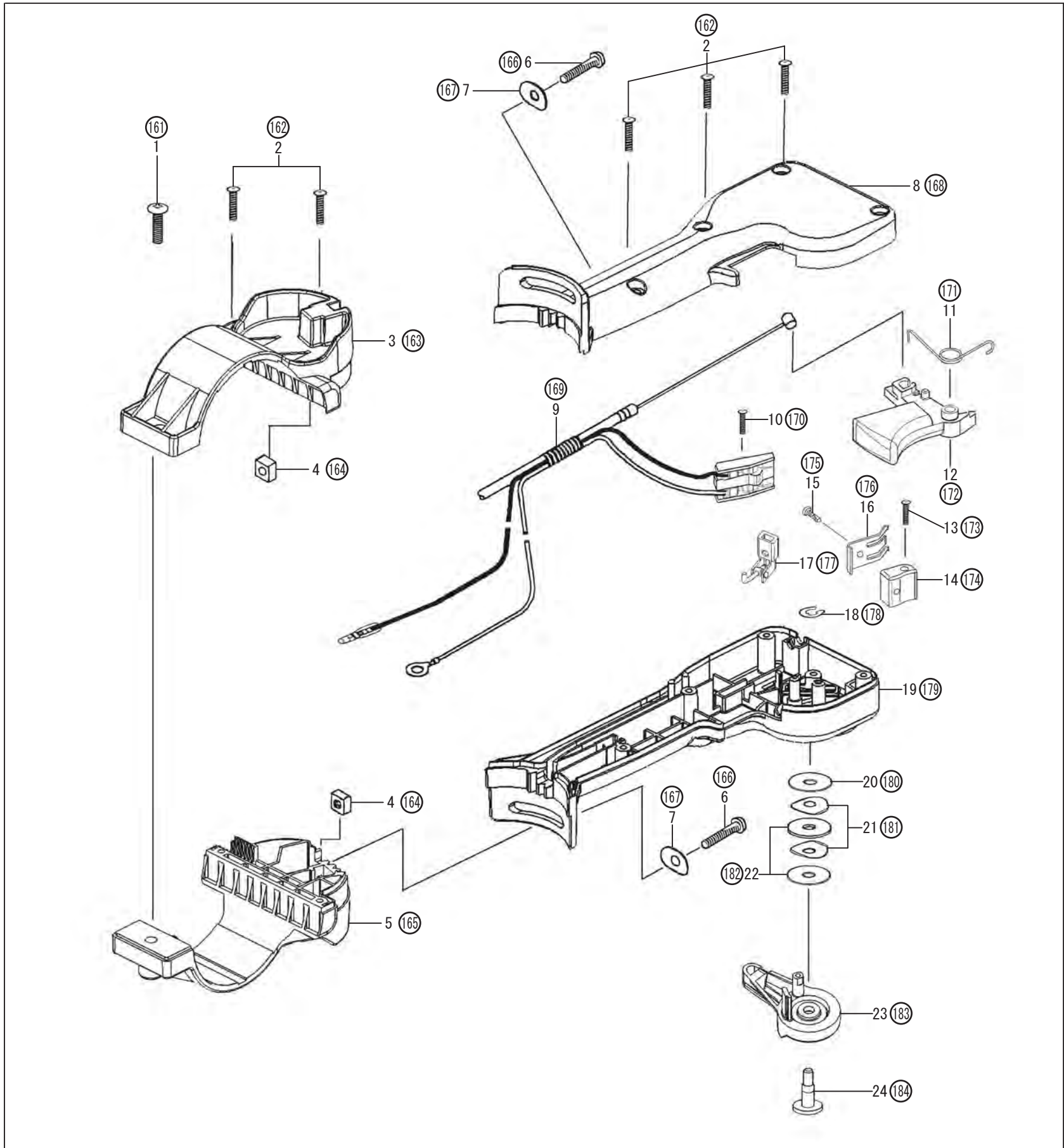
HITACHI NUMBER	REF. NUMBER	TANAKA No.	SERVICE CODE No.	DESCRIPTION	Q'TY
S59-02 ENGINE-2					
51	1	157-16008-90	669-7489	PLUG CAP ASS'Y	1
52	4	018-12710-20	668-5782	SPARK PLUG BPMR7A	1
53	5	738-16008-20	669-7552	ENGINE COVER(A)	1
54	6	704-16008-90	669-7550	MUFFLER SET	1
55	11	737-16008-20	669-7551	MUFFLER GASKET	1
56	12	990-51060-203	669-5060	HEX. HOLE BOLT 6X20	2
57	13	994-35050-141	669-7582	PAN HEAD SCREW(W/W)M5X14	1
58	46	994-17050-101	669-5433	SCREW 5X10/W	1
59	47	010-16008-20	669-7458	ENGINE COVER(B)	1
60	48	404-16008-90	669-7513	INSULATOR SET	1
61	49	403-16008-20	669-7512	INSULATOR GASKET	2
62	50	993-11031-212	669-7572	TAPPING SCREW D3X12	1
63	51	395-16008-20	669-7510	STOPPER	1
64	52	394-16008-20	669-7509	REED VALVE	1
65	54	994-15050-251	669-5394	SCREW 5X25 PS	4
66	55	455-31910-90	669-7523	CARBURETOR SET	1
67	56	402-16008-20	669-7511	CARBURETOR GASKET	1
68	58	514-25100-20	668-4870	THROTTLE SET SCREW	2
69	59	544-16008-20	669-7532	BRACKET	1
70	60	539-25120-20	668-4697	SWIVWL	1
71	61	549-25165-20	668-4874	THRUST WASHER	1
72	63	489-25100-20	668-4696	STOP RING	1
73	65	550-25100-20	668-4695	O - RING	1
74	66	599-16008-20	669-7543	MAIN JET #55.5	1
75	67	577-25292-20	668-4692	PUMP GASKET	1
76	68	576-25100-20	668-4693	PUMP DIAPHRGM	1
77	69	575-16008-90	669-7536	PUMP BODY ASS'Y	1
78	77	475-25038-20	668-5220	DIAPHRAGM PACKING	1
79	78	474-25601-20	668-4690	METERING DIAPHRAGM COP.	1
80	79	476-25004-20	668-5222	DIAPHRAGM COVER	1
81	80	548-25151-20	668-4699	SET SCREW M3X18	4
82	81	410-16008-90	669-7514	AIR CLEANER ASS'Y	1
83	82	999-67031-210	669-7588	O RING(ID31.2)	1
84	83	419-16008-90	669-7518	AIR FILTER ASS'Y	1
85	88	444-16008-20	669-7520	AIR FILTER ELEMENT	1
86	89	414-16008-90	669-7517	CLEANER CAP SET	1
87	91	450-16008-80	669-7522	SPECIAL BOLT M5X18	2
88	92	994-15050-551	669-7579	PAN HEAD SCREW(W/W)M5X55	1
89	93	447-16008-20	669-7521	PRIMING PUMP	1
90	94	680-16008-20	669-7545	CLAMP(2)	2
91	95	700-02305-09	669-7546	TUBE (2.5X5X93)	1
92	107	700-03006-16	669-7548	TUBE (3X6X160)	1
93	108	426-16008-20	669-7519	CLAMP(1)	2
94	109	700-03005-30	669-7547	FUEL PIPE, 3X5X300	1
95	110	534-16008-20	669-7530	FUEL TANK GROMMET	1
96	111	675-16008-90	669-7544	FUEL TANK FILTER	1
97	112	595-16008-90	669-7541	TANK CAP ASS'Y	1

S59-03 FRAME/BLOWER



HITACHI NUMBER	REF. NUMBER	TANAKA No.	SERVICE CODE No.	DESCRIPTION	Q'TY
S59-03 FRAME/BLOWER					
111	1	270-31910-90	669-7505	ELBOW PIPE ASS'Y	1
112	2	999-67095-010	669-5687	O-RING G-95	1
113	3	270-31910-20	669-7504	ELBOW PIPE	1
114	4	267-31910-20	669-7503	PIPE BAND (A)NO.56	1
115	5	110-31910-20	669-7485	WIRE BAND(A)	1
116	6	101-31910-20	669-7482	FLEXIBLE PIPE	1
117	7	100-31910-20	669-7481	PIPE BAND (B)NO.52	1
118	8	102-31910-20	669-7483	SWIVEL PIPE	1
119	9	871-31910-90	669-7566	THROTTLE LEVER ASS'Y	1
120	10	103-31910-20	669-7484	MIDDLE PIPE	1
121	11	305-31910-20	669-7507	STRAIGHT PIPE	1
122	12	220-16008-20	669-7495	FERRITE CORE	1
123	13	993-11052-012	669-5255	TAPPING SCREW 5X20	15
124	14	050-31910-20	669-7476	FAN COVER	1
125	15	054-31910-20	669-7477	COVER	1
126	16	030-31910-80	669-7467	VIBRO-ISOLATING RUBBER	3
127	17	990-51060-653	669-5067	HEX.HOLE BOLT 6X65	2
128	18	010-31910-80	669-7459	FAN CASE(S)	1
129	19	994-63050-253	669-7585	HEX SOCKET BOLT(W/W)(SUS)	4
130	20	127-31910-80	669-7487	FAN	1
131	21	011-31910-80	669-7460	FAN CASE(E)	1
132	22	991-78060-010	669-5164	NYLON LOCK NUT 6	2
133	23	990-51060-303	669-5063	HEX. HOLE BOLT 6X30	6
134	24	993-11050-812	669-7575	TAPPING SCREW D5X8	1
135	25	198-31910-20	669-7493	CLIP	1
136	26	111-31910-20	669-7486	WIRE BAND(B)	1
137	27	021-31910-90	669-7463	KNAPSACK PAD	1
138	28	036-31910-20	669-7469	CLIP	5
139	29	991-78060-010	669-5164	NYLON LOCK NUT 6	1
140	30	027-31910-20	669-7465	WASHER D6	5
141	31	994-45060-001	669-7583	NUT(W/W)M6	3
142	32	990-14060-161	669-4961	TRUSS SCREW 6X16	1
143	33	020-31910-90	669-7462	KNAPSACK FRAME	1
144	34	022-31910-90	669-7464	SHOULDER BAND	1
145	35	994-11060-251	669-7577	MACHINE SCREW(W/SW)M6X25	4
146	36	597-16008-80	669-7542	TANK BAND	1
147	37	591-31912-20	669-7540	FUEL TANK(EVAPO)	1
147	37	591-16008-20	669-7539	FUEL TANK	1
148	39	853-31910-80	669-7565	COMBINED BOX WRENCH(17X19)	1

S59-04 THROTTLE LEVER



HITACHI NUMBER	REF. NUMBER	TANAKA No.	SERVICE CODE No.	DESCRIPTION	Q'TY
S59-04 THROTTLE LEVER					
161	1	993-11052-512	669-7576	TAPPING SCREW D5X25	1
162	2	993-11042-012	669-7574	TAPPING SCREW 4X20	6
163	3	411-31910-20	669-7516	BAND (R)	1
164	4	991-91060-011	669-7570	SQUARE NUT M6	2
165	5	410-31910-20	669-7515	BAND (L)	1
166	6	990-11060-204	669-7568	MACHINE SCREW M6X20	2
167	7	257-31910-20	669-7499	PLAIN WASHER	2
168	8	248-31910-20	669-7497	LEVER HOLDER(R)	1
169	9	885-31910-90	669-7567	THROTTLE WIRE ASS'Y	1
170	10	993-11031-212	669-7572	TAPPING SCREW D3X12	1
171	11	061-31910-20	669-7478	SPRING	1
172	12	263-31910-20	669-7502	LEVER	1
173	13	993-11031-412	669-7573	TAPPING SCREW D3X14	1
174	14	162-16008-20	669-7490	SWITCH STAY	1
175	15	993-11030-812	669-7571	TAPPING SCREW D3X8	1
176	16	262-16008-20	669-7500	LEAF SPRING	1
177	17	271-31910-90	669-7506	STOPPER ASS'Y	1
178	18	045-31910-20	669-7473	SNAP RING	1
179	19	262-31910-20	669-7501	LEVER HOLDER(L)	1
180	20	513-31910-20	669-7528	PLAIN WASHER(2)	1
181	21	844-31910-20	669-7564	ADJUST WASHER	2
182	22	240-31910-20	669-7496	PLAIN WASHER(1)	2
183	23	249-31910-20	669-7498	LOCK LEVER	1
184	24	339-31910-20	669-7508	SHAFT	1

形 名

TRB65EF-6