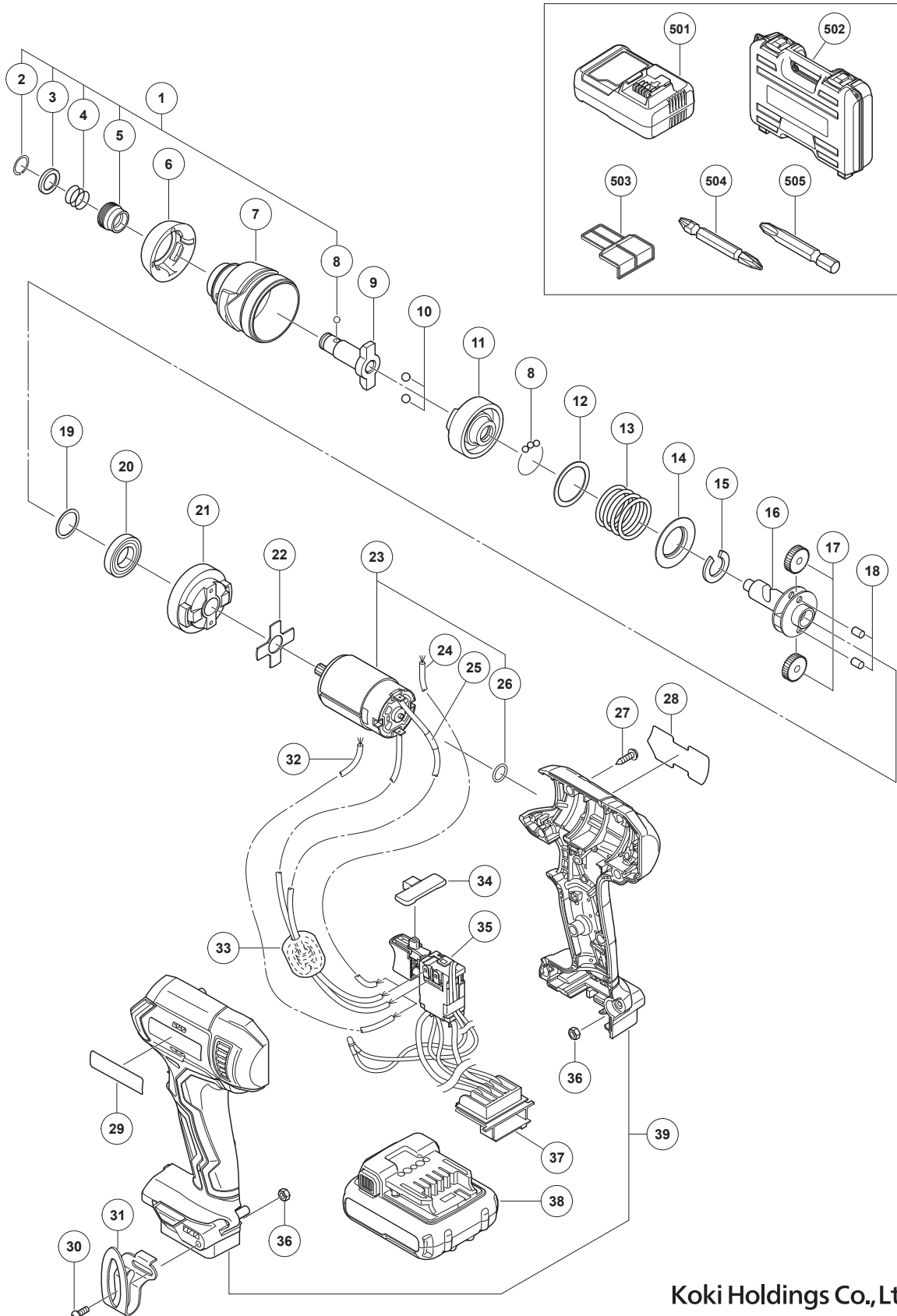


ELECTRIC TOOL PARTS LIST

CORDLESS IMPACT DRIVER Model WH 12DA

2019 · 4 · 8
(E1)



PARTS

WH 12DA

ITEM NO.	CODE NO.	DESCRIPTION	NO. USED	REMARKS	
1	329538	GUIDE SLEEVE ASS'Y	1	INCLUD.2-5,8	
2	995933	RETAINING RING	1		
3	331959	WASHER (F)	1		
4	322737	GUIDE SPRING (C)	1		
5	329537	GUIDE SLEEVE (C)	1		
6	337360	FRONT CAP	1		
7	374940	HAMMER CASE	1		
8	959148	STEEL BALL D3.175 (10 PCS.)	29		
* 9	329554	ANVIL (L)	1		
* 9	329555	ANVIL (S)	1	FOR EUROPE,AUS	
10	959154	STEEL BALL D5.556 (10 PCS.)	2		
11	330965	HAMMER	1		
12	315978	WASHER (J)	1		
13	322741	HAMMER SPRING (E)	1		
14	316172	WASHER (S)	1		
15	322740	STOPPER (A)	1		
16	330960	SPINDLE	1		
17	375586	IDLE GEAR SET (2 PCS.)	2		
18	980258	NEEDLE (C)	2		
19	330961	WASHER (G)	1		
20	330962	BALL BEARING 6803VV	1		
21	331019	RING GEAR	1		
22	331448	PACKING (A)	1		
23	337361	MOTOR DC 12V	1	INCLUD.26	
* 24	375588	INTERNAL WIRE (RED) L110	1	EXCEPT FOR EUROPE	
25	375587	TUBE	1		
26	987105	O-RING (S-10)	1		
27	313687	TAPPING SCREW (W/FLANGE) D3 X 16 (BLACK)	8		
28		NAME PLATE	1		
29		BRAND LABEL	1		
* 30	337357	TRUSS HD. SCREW M4 (BLACK)	1	FOR EUROPE	
* 31	372229	HOOK	1	FOR EUROPE	
* 32	375589	INTERNAL WIRE (BLACK) L80	1	EXCEPT FOR EUROPE	
* 33	375590	INTERNAL WIRE FERRITE SET	1	FOR EUROPE	
34	329548	PUSHING BUTTON (A)	1		
35	374935	DC-SPEED CONTROL SWITCH	1		
36	327002	LOCK NUT M4 (BLACK)	2		
37	374398	BATTERY TERMINAL	1		
* 38	374954	BATTERY BSL 1225M (EUROPE)	2		
* 38	374955	BATTERY BSL 1225M (THA)	2		
39	374931	HOUSING (A).(B) SET	1	INCLUD.36	

STANDARD ACCESSORIES

WH 12DA

ITEM NO.	CODE NO.	DESCRIPTION	NO. USED	REMARKS
501		CHARGER (MODEL UC 12SL)	1	
502	336642	CASE	1	
503	374778	BATTERY COVER	1	
* 504	983006	+ DRIVER BIT NO.2 65L	1	EXCEPT FOR EUROPE,AUS
* 505	992671	+ DRIVER BIT (B) NO.2 50L	1	FOR EUROPE,AUS

OPTIONAL ACCESSORIES

ITEM NO.	CODE NO.	DESCRIPTION	NO. USED	REMARKS
601	306927	SILICONE RUBBER	1	
602	996184	BIT PIECE	1	