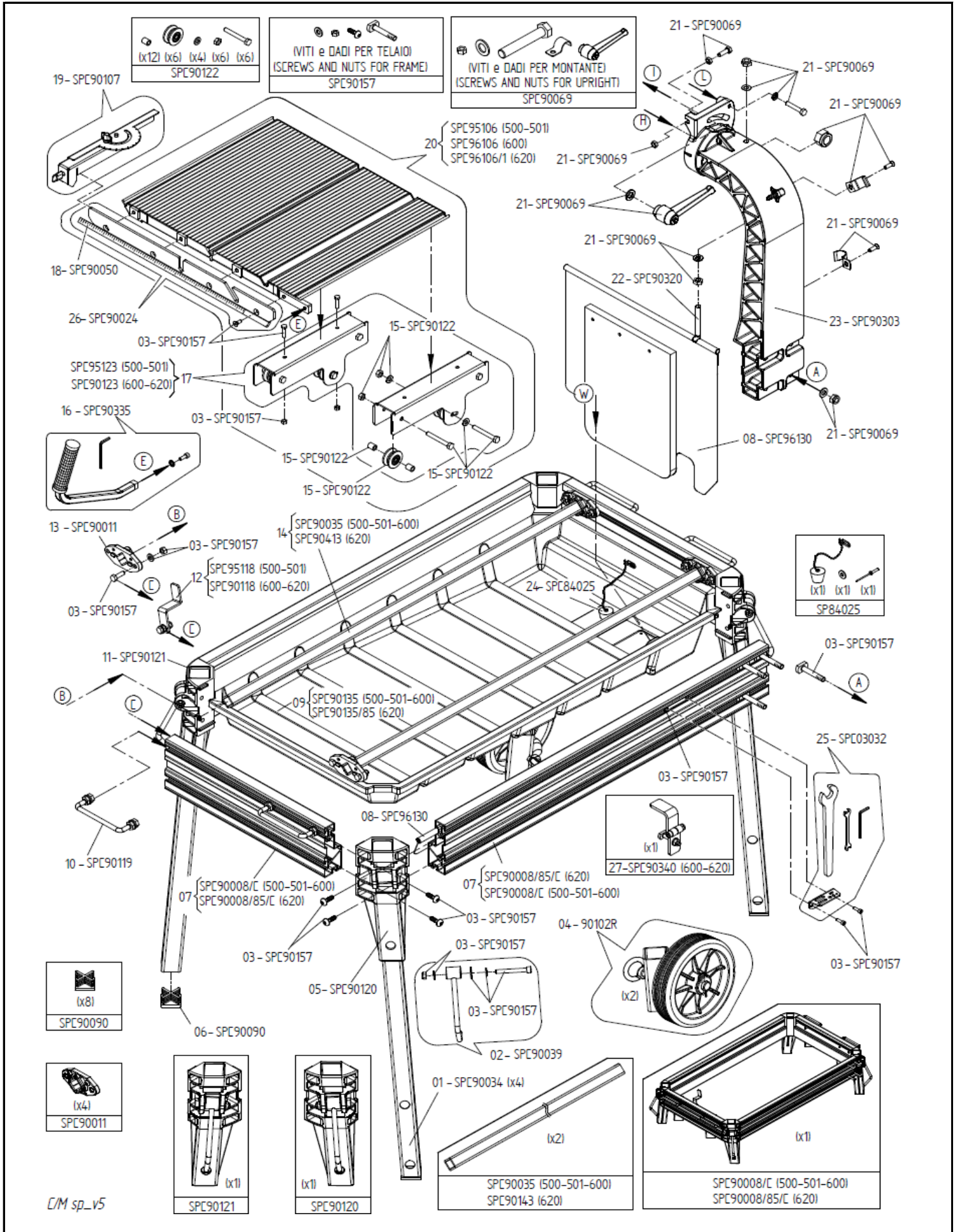


01-96109

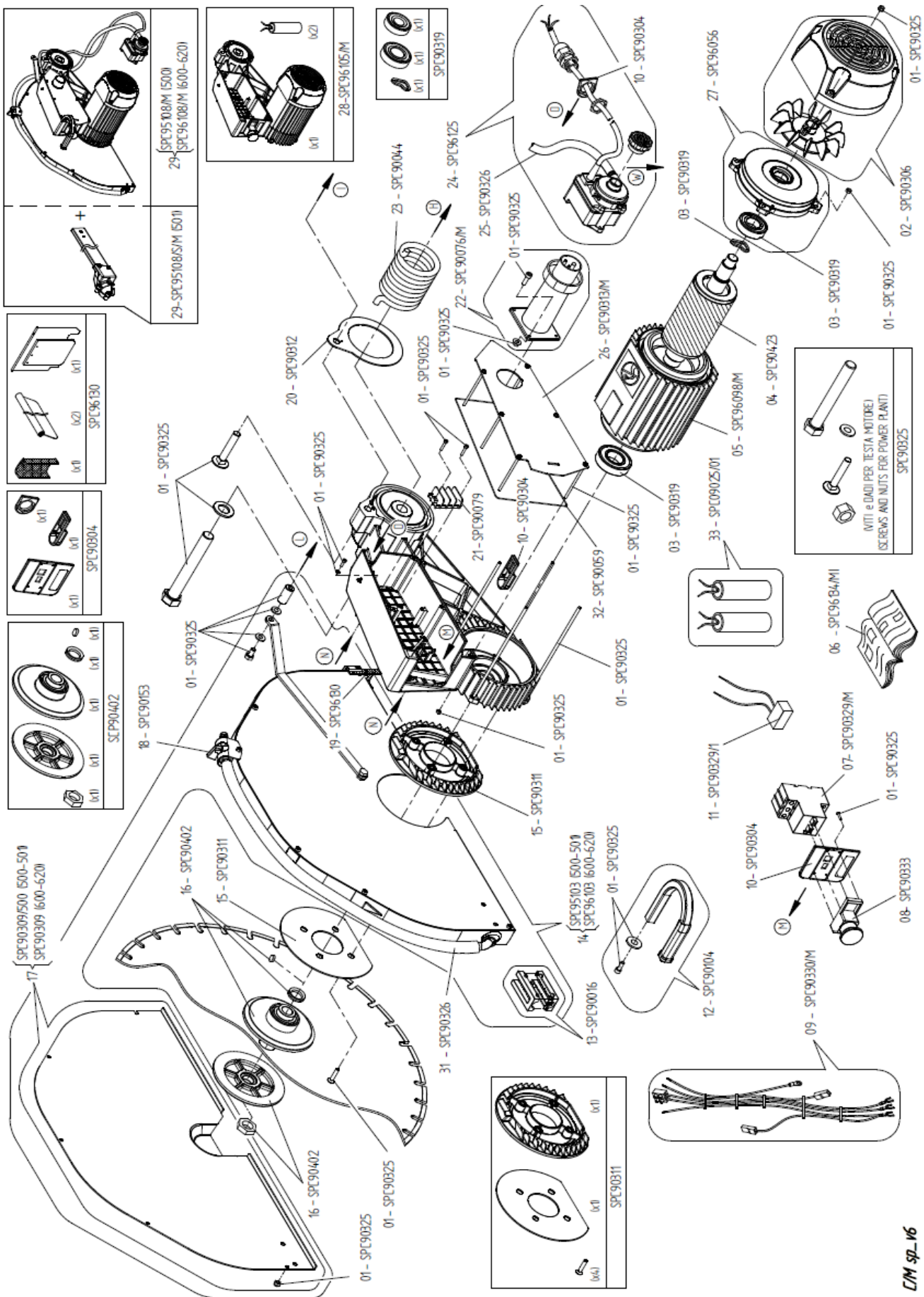
C sp_v4

Nr.	Omschrijving	Artikelnummer	Nr.	Omschrijving	Artikelnummer
1	LASER COMPL.	XNB961090000			
2	LASER UNIT	XSPC96137000			
3	LASER VOEDING	XSPC90138P00			



LM sp_v5

Nr.	Omschrijving	Artikelnummer	Nr.	Omschrijving	Artikelnummer
1	SET POTEN COMPL.	XSPC90034000			
2	BLOKKEERHENDEL COMPL. TBV POOT	XSPC90039000			
3	SCHROEVEN/MOEREN- SET TBV FRAME	XSPC90157000			
4	WIELSTEL COMPL.	XNB90102R000			
5	HOEKPROFIEL RECHTS INCL. BLOK.HENDEL	XSPC90120000			
6	KUNSTSTOF DOPPEN- SET TBV POTEN	XSPC90090000			
7	ALUMINIUM FRAME COMPLEET	XSPC90008-C0			
8	SET SPATLAPPEN	XSPC96130000			
9	WATERBAK	XSPC90135000			
10	HANDGREEP COMPL.	XSPC90119000			
11	HOEKPROFIEL LINKS INCL. BLOK.HENDEL	XSPC90121000			
12	ZAAGWAGENBLOKKE- RING COMPL.	XSPC95118000			
13	SET RAILHOUDERS	XSPC90011000			
14	SET RAILS	XSPC90035000			
15	WIELSET COMPL. TBV ZAAGWAGEN	XSPC90122000			
16	HANDGREEP ZAAGWA- GEN COMPL.	XSPC90335000			
17	WIELSTEL INCL. HOU- DERS TBV ZAAGWAG.	XSPC95123000			
18	CENTIMETERVERDE- LING ZAAGWAGEN	XSPC90050000			
19	VARIABELE MATERIAAL- AANSLAG COMPL.	XSPC90107000			
20	ZAAGWAGEN COMPL.	XSPC95106000			
21	SCHROEVEN/MOEREN- SET TBV ZAAGARM	XSPC90069000			
22	HOUDER GROTE SPAT- LAP	XSPC90320000			
23	ALUMINIUM ZAAGARM	XSPC90303000			
24	WATERSTOP COMPL.	XSPC84025000			
25	GEREEDSCHAPSSET COMPL.	XSPC03032000			
26	VOORAANSLAG COM- PL.	XSPC90024000			



CAM SP_V6

Nr.	Omschrijving	Artikelnummer	Nr.	Omschrijving	Artikelnummer
1	SCHROEVEN/MOEREN- SET TBV MOTOR	XSPC90325000			
2	VENTILATOR + KAP	XSPC90306000			
3	LAGER/RINGENSET TBV MOTOR	XSPC90319000			
4	ANKER COMPL.	XSPC90423000			
5	VELD 230V COMPL.	XSPC96098M00			
6	HANDLEIDING	XSPC96134000			
7	SCHAKELAAR 230V	XSPC90329M00			
8	NOODSTOP	XSPC90333000			
9	KABELBOOM 230V	XSPC903300M0			
10	SET MONTAGEPLAATJES	XSPC90304000			
11	SPOEL TBV SCHAKE- LAAR	XSPC90329-10			
12	HANDGREEP COMPL.	XSPC90104000			
13	SPROEIVORK COMPL.	XSPC90016000			
14	ZAAGKAP COMPL. Ø500MM	XSPC95103000			
15	SET MONTAGERINGEN TBV ZAAGKAP	XSPC90311000			
16	FLENZENSET COMPL.	XSPC90005000			
17	PLAAT TBV ZAAGKAP Ø500MM	XSPC90309-50			
18	WATERKRAAN COMPL.	XSPC90153000			
19	SET SPATLAPPEN	XSPC96130000			
20	RVS FRICTIERING	XSPC90312000			
21	ELECTRO-UNIT	XSPC90079000			
22	OPBOUWSTEKKER COMPLEET 230V RECH	XSPC90076/M			
23	VEER TBV HOOGTE-IN- STELLING	XSPC90044000			
24	ELEK WATERPOMP P-2 T-3510	XWPE020000			
25	WATERSLANG	XSPC90326000			
26	MONTAGEPLAAT MO- TOR	XSPC90313000			
27	AFDEKKAP TBV VELD COMPL.	XSPC96056000			
28	MOTOR COMPL. 230V	XSPC96105M00			
29	ZAAGKOP COMPL. 230V	XSPC95108M00			
30	ZAAGKOP COMPL. 230V INCL. LASER	XSPC95108-S0			
31	WATERSLANG	XSPC90326000			
32	DICHTING MONTAGE- PLAAT MOTOR	XSPC90059000			