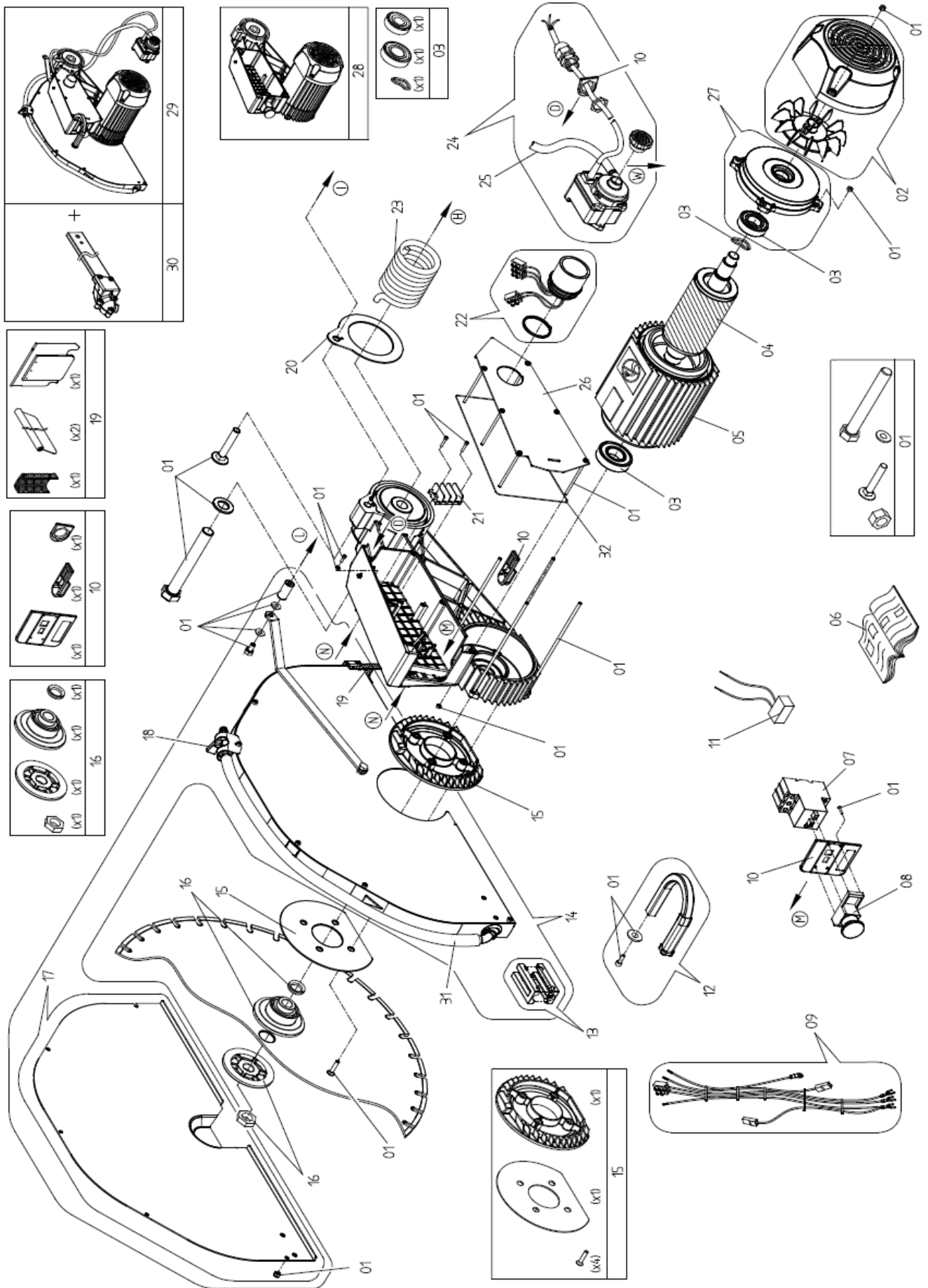
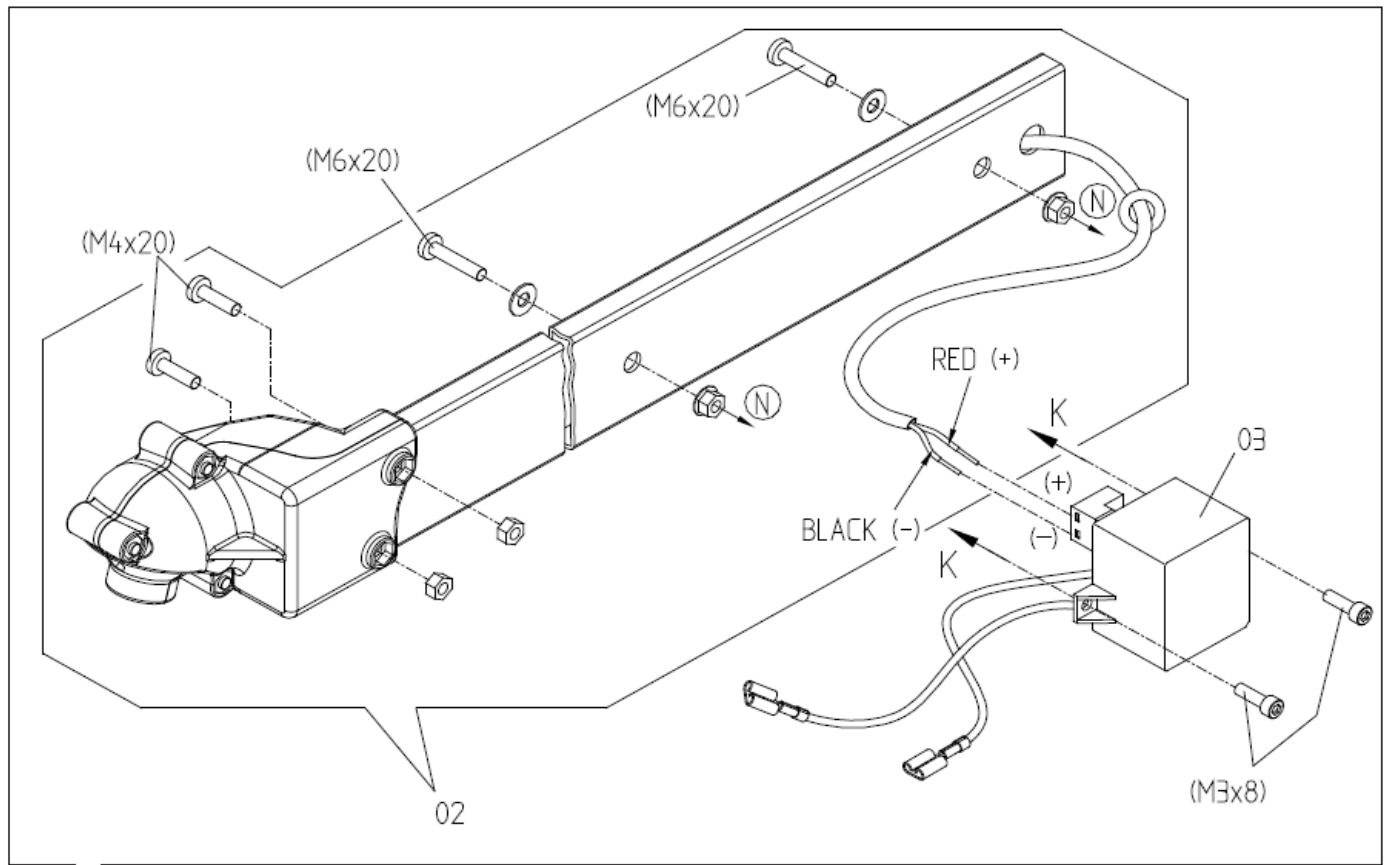
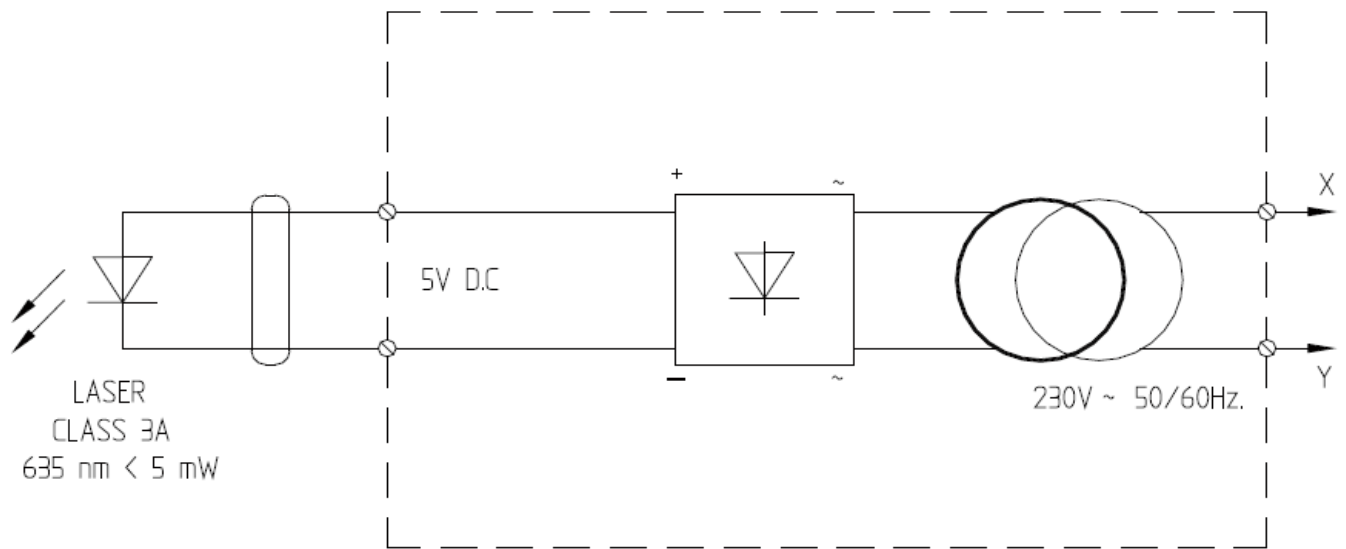


| Nr. | Omschrijving | Artikelnummer | Nr. | Omschrijving | Artikelnummer |
|-----|-------------------------------------|---------------|-----|--------------|---------------|
| 1 | SET POTEN COMPL. | XSPC90034000 | | | |
| 2 | BLOKKEERHENDEL COMPL. TBV POOT | XSPC90039000 | | | |
| 3 | SCHROEVEN/MOERENSET TBV FRAME | XSPC90157000 | | | |
| 4 | WIELSTEL COMPL. | XNB90102R000 | | | |
| 5 | HOEKPROFIEL RECHTS INCL. BLOKKEERHE | XSPC90120000 | | | |
| 6 | KUNSTSTOF DOPPENSET TBV POTEN | XSPC90090000 | | | |
| 7 | ALUMINIUM FRAME COMPLEET | XSPC90008-C0 | | | |
| 8 | SET SPATLAPPEN | XSPC96130000 | | | |
| 9 | WATERBAK | XSPC90135000 | | | |
| 10 | HANDGREEP COMPL. | XSPC90119000 | | | |
| 11 | HOEKPROFIEL LINKS INCL. BLOKKEERHEN | XSPC90121000 | | | |
| 12 | ZAAGWAGENBLOKKERING COMPL. | XSPC90118000 | | | |
| 13 | SET RAILHOUDERS | XSPC90011000 | | | |
| 14 | SET RAILS | XSPC90035000 | | | |
| 15 | WIELSET COMPL. TBV ZAAGWAGEN | XSPC90122000 | | | |
| 16 | HANDGREEP ZAAGWAGEN COMPL. | XSPC90335000 | | | |
| 17 | WIELSTEL INCL. HOUDERS TBV ZAAGWAG | XSPC90123000 | | | |
| 18 | CENTIMETERVERDELING ZAAGWAGEN | XSPC90050000 | | | |
| 19 | VARIABLE MATERIAALAANSLAG COMPL | XSPC90107000 | | | |
| 20 | ZAAGWAGEN COMPL. | XSPC96106000 | | | |
| 21 | SCHROEVEN/MOERENSET TBV ZAAGARM | XSPC90069000 | | | |
| 22 | HOUDER GROTE SPATLAP | XSPC90320000 | | | |
| 23 | ALUMINIUM ZAAGARM | XSPC90303000 | | | |
| 24 | WATERSTOP COMPL. | XSPC84025000 | | | |
| 25 | GEREEDSCHAPSET COMPL. | XSPC03032000 | | | |
| 26 | VOORAANSLAG COMPL. | XSPC90024000 | | | |



| Nr. | Omschrijving | Artikelnummer | Nr. | Omschrijving | Artikelnummer |
|-----|---------------------------------|---------------|-----|--------------|---------------|
| 1 | SCHROEVEN/MOERENSET TBV MOTOR | XSPC90325000 | | | |
| 2 | VENTILATOR + KAP | XSPC90306000 | | | |
| 3 | LAGER/RINGENSET TBV MOTOR | XSPC90319000 | | | |
| 4 | ANKER COMPL. 400V | XSPC90423000 | | | |
| 5 | VELD 400V COMPL. | XSPC96098000 | | | |
| 6 | HANDLEIDING | XSPC96134000 | | | |
| 7 | SCHAKELAAR 400V | XSPC90329000 | | | |
| 8 | NOODSTOP | XSPC90333000 | | | |
| 9 | KABELBOOM | XSPC90330000 | | | |
| 10 | SET MONTAGEPLAATJES | XSPC90304000 | | | |
| 11 | SPOEL TBV SCHAKELAAR | XSPC90329-10 | | | |
| 12 | HANDGREEP COMPL. | XSPC90104000 | | | |
| 13 | SPROEIVORK COMPL. | XSPC90016000 | | | |
| 14 | ZAAGKAP COMPL. Ø600MM | XSPC96103000 | | | |
| 15 | SET MONTAGERINGEN TBV ZAAGKAP | XSPC90311000 | | | |
| 16 | FLENZENSET COMPL. | XSPC90005000 | | | |
| 17 | PLAAT TBV ZAAGKAP Ø600MM | XSPC90309000 | | | |
| 18 | WATERKRAAN COMPL. | XSPC90153000 | | | |
| 19 | SET SPATLAPPEN | XSPC96130000 | | | |
| 20 | RVS FRICTIERING | XSPC90312000 | | | |
| 21 | ELECTRO-UNIT | XSPC90079000 | | | |
| 22 | OPBOUWSTEKKER COMPL. 400V | XSPC90245000 | | | |
| 23 | VEER TBV HOOGTE-INSTELLING | XSPC90044000 | | | |
| 24 | ELEK WATERPOMP P-2 T-3510 | XWPE020000 | | | |
| 25 | WATERSLANG | XSPC90326000 | | | |
| 26 | MONTAGEPLAAT MOTOR | XSPC90313000 | | | |
| 27 | AFDEKKAP TBV VELD COMPL. | XSPC96056000 | | | |
| 28 | MOTOR COMPL. 400V | XSPC96105000 | | | |
| 29 | ZAAGKOP COMPL. 400V | XSPC96108000 | | | |
| 30 | ZAAGKOP COMPL. 400V INCL. LASER | XSPC96108-S0 | | | |
| 31 | WATERSLANG | XSPC90326000 | | | |
| 32 | DICHTING MONTAGEPLAAT MOTOR | XSPC90059000 | | | |



| Nr. | Omschrijving | Artikelnummer | Nr. | Omschrijving | Artikelnummer |
|-----|---------------|---------------|-----|--------------|---------------|
| 1 | LASER COMPL. | XNB961090000 | | | |
| 2 | LASER UNIT | XSPC96137000 | | | |
| 3 | LASER VOEDING | XSPC90138P00 | | | |