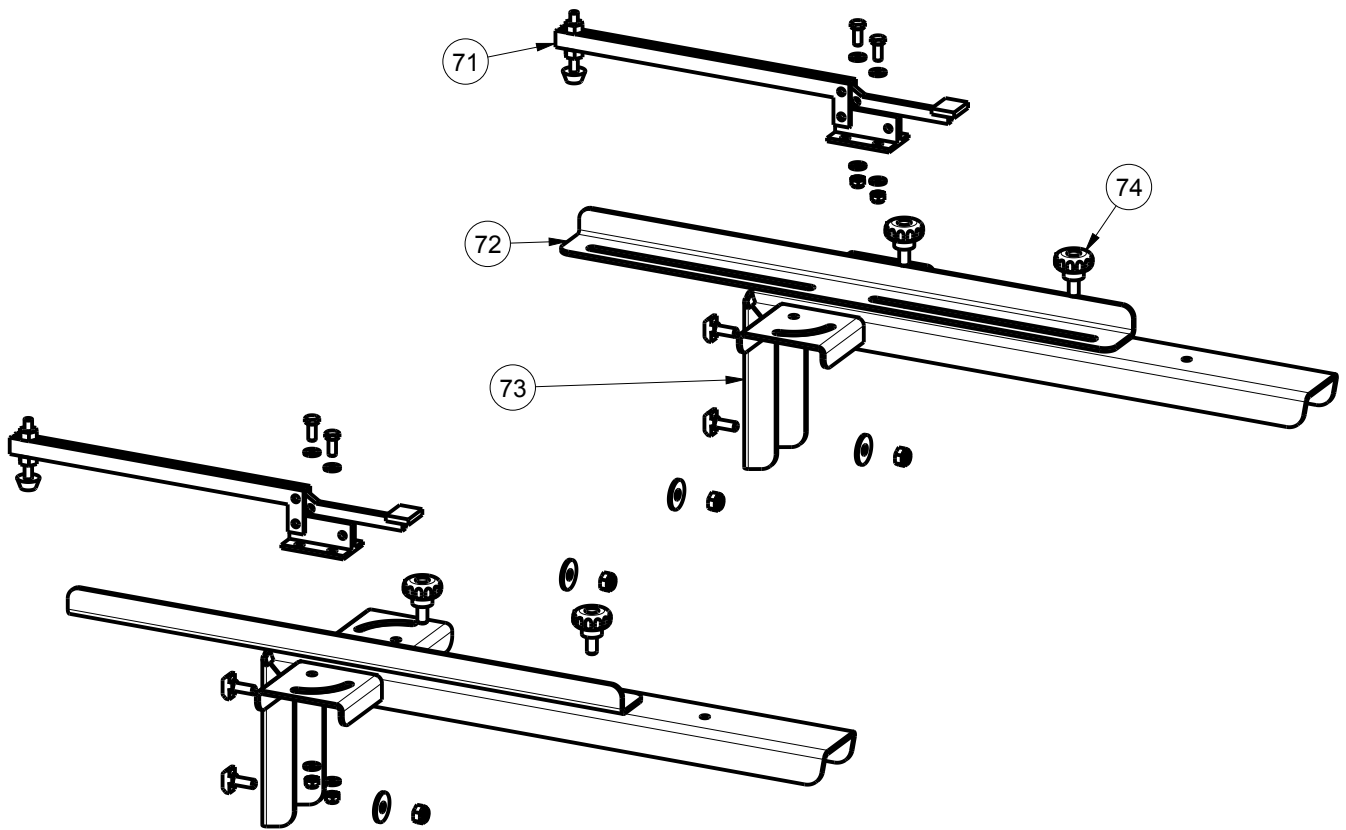
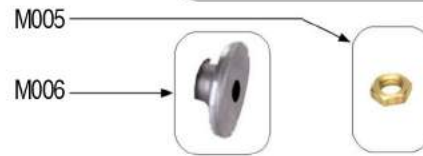


R103058600 SIDE SUPPORT WITH 2 CLAMPS


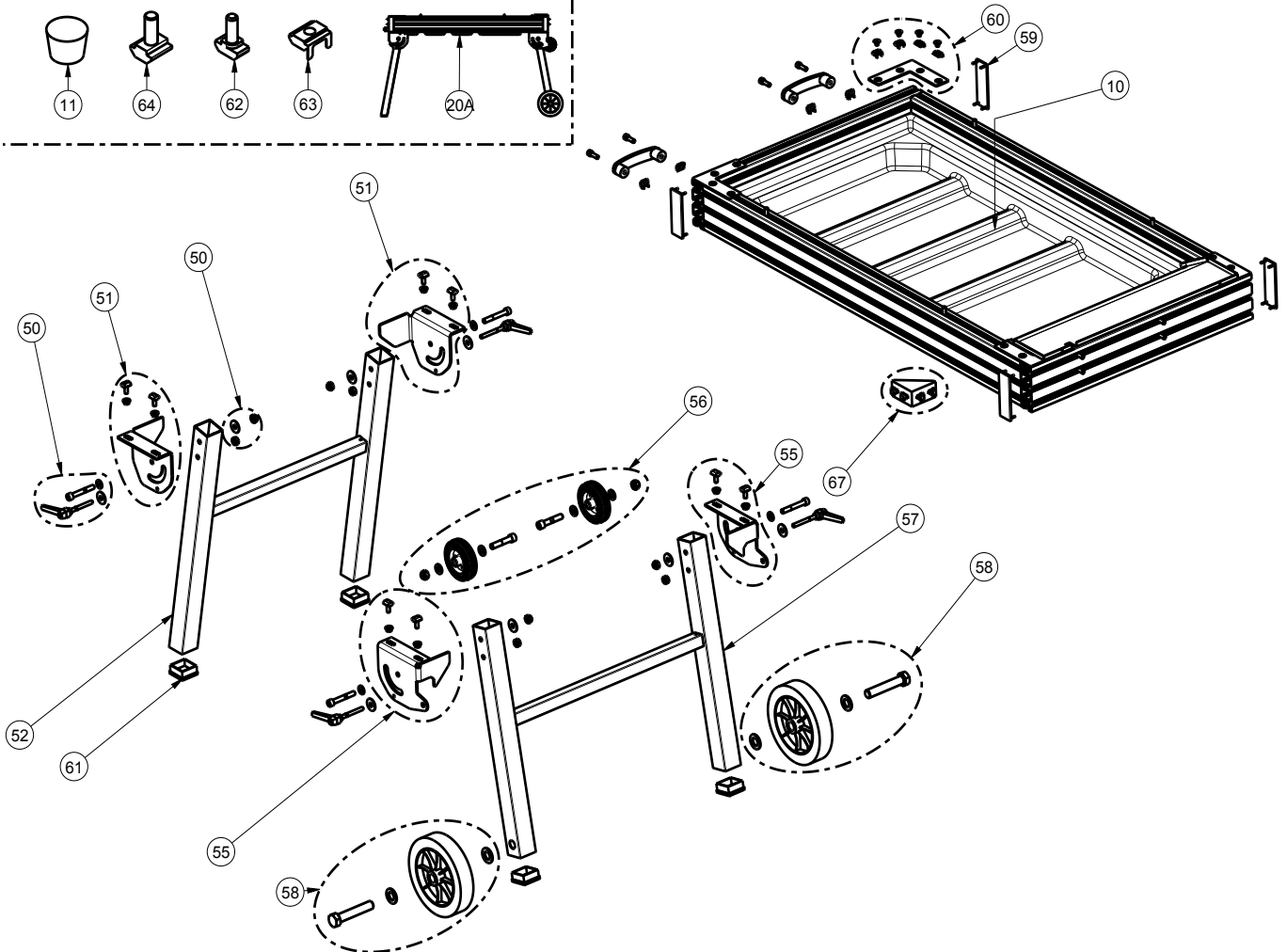
0071	Z	R-1120020	CLAMP HS 22-18-5
0072	Z	R-1208018	SLIDING SUPPORT
0073	Z	R103058601	SIDE SUPPORT SQUARE
0074	Z	R-0220415	SET PLASTIC KNOBS 8X16MM

ELECTRIC GROUP


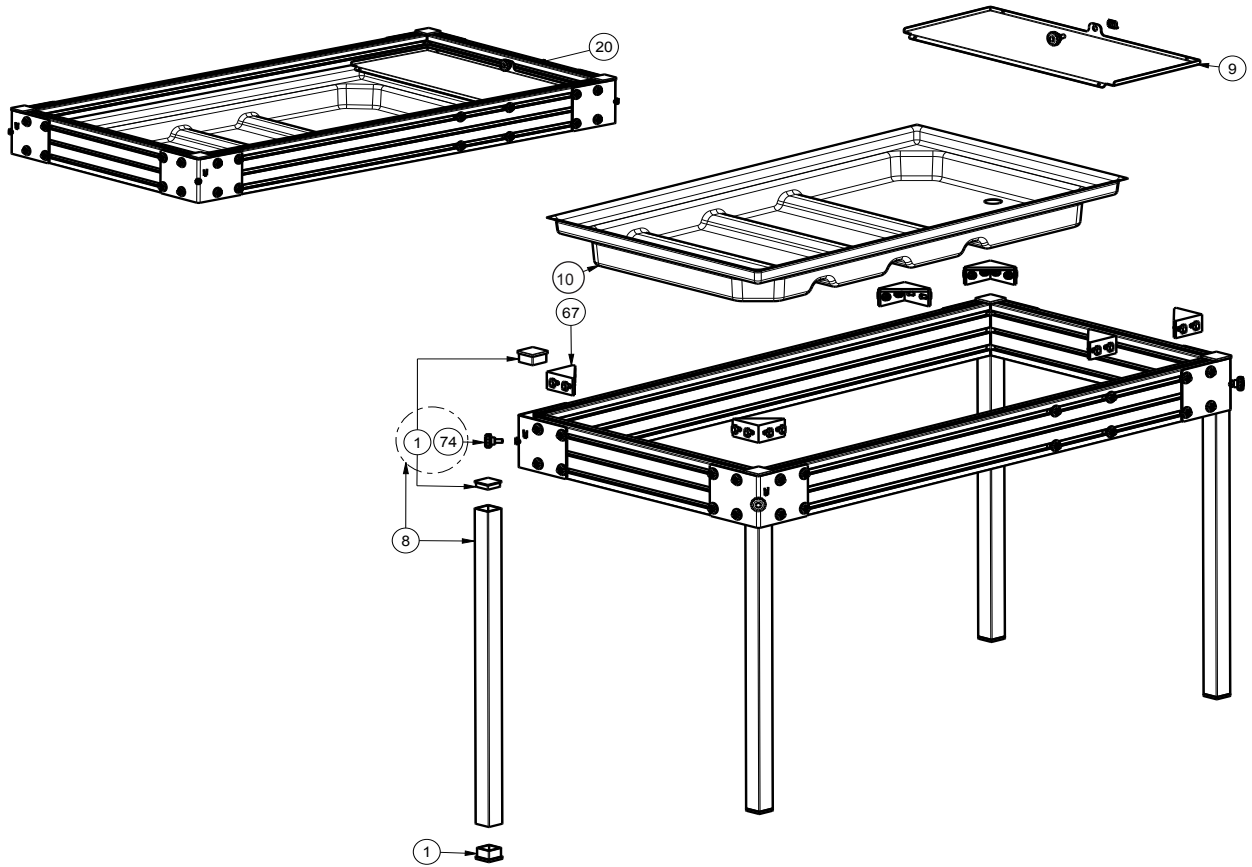
M001	Z	R-0327002	FLAT MOTOR 220 3CV3000RPM SAW
M002	Z	R-0336000	MOTOR COOLING FAN & FAN COVER
M003	Z	R-0399004	ELECTRICAL JUNCTION BOX
M004	Z	R-0733136	SET OF BEARING
M005	Z	R-0622364	NUT FOR MOTOR SHAFT
M006	Z	R-0399062	SET OF FLANGES MOTOR P707
M007	Z	R103029020	SWITCH INTAKE SOCKET 220V 50HZ L=3,9m
M008	Z	R-0326004	WATER PUMP FOR SAWS 220V 50HZ 50W L=4700MM

65 R-0217127 CARRY HANDLES SET (4 PCS.)

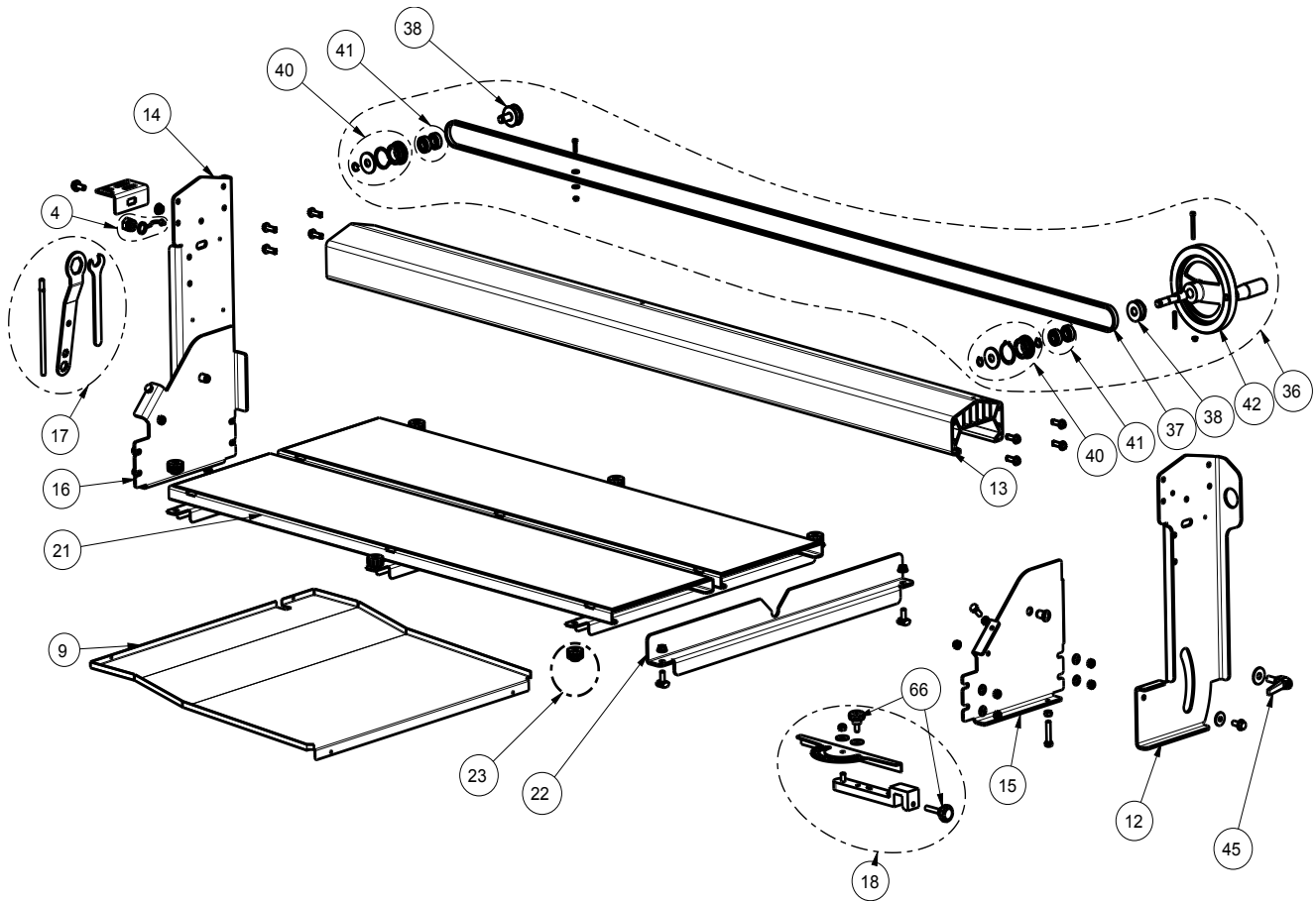
77 R103061500 BASE PLUG 2 P+T+DOMESTIC PLUG


FRAME FOLDABLE LEGS 85 / 125 / 150 cm


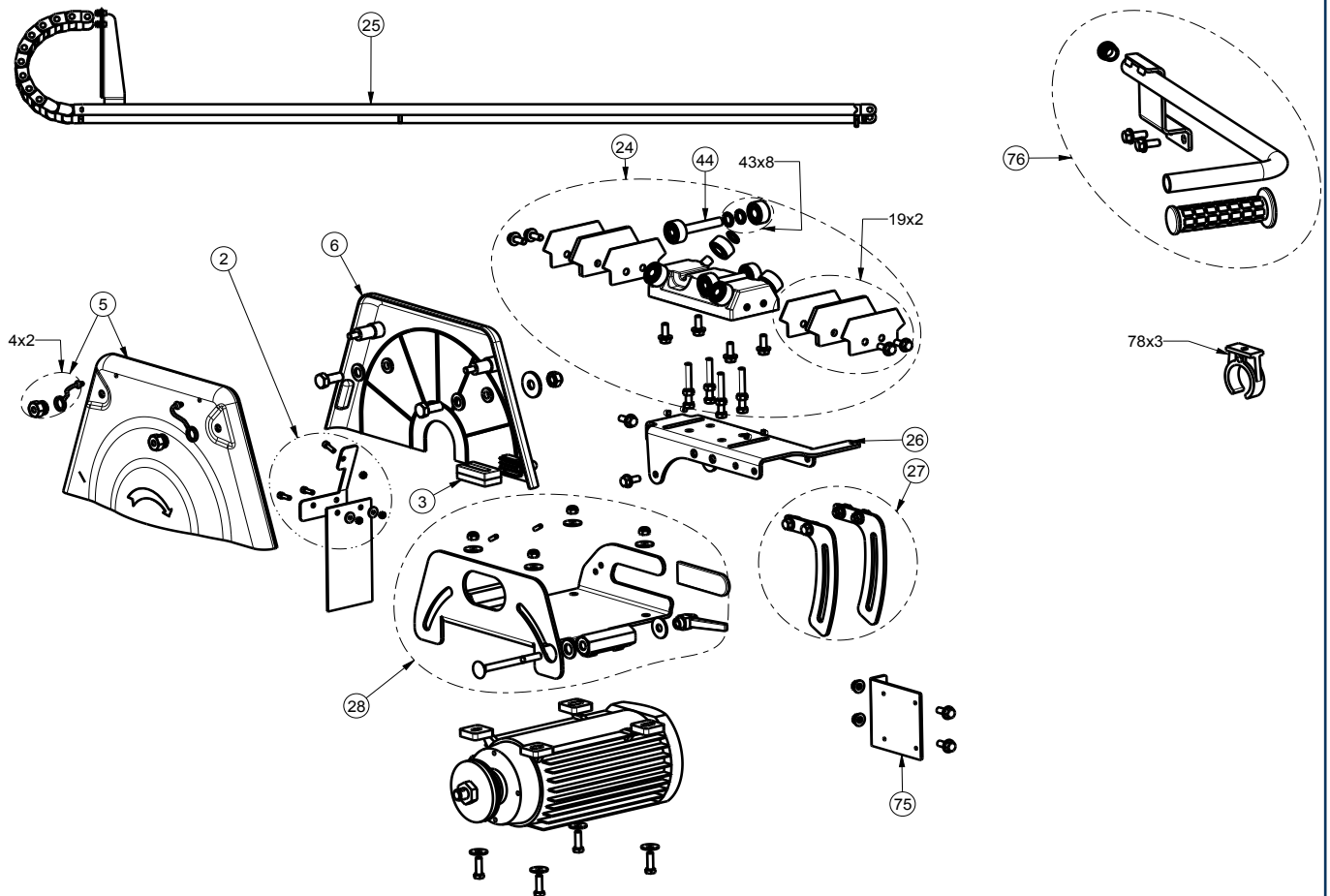
0010	R-0299082	WATER TANK DX54D Z275
020A	R103022100	CHASSIS V85 R5003
	R103022200	CHASSIS V125 R5003
	R103022300	CHASSIS V150 R5003
0050	R103049023	QUICK RELEASE HANDLES SET M10X70
0051	R103049024	HOLDERS R5003 FOR LEGS (NO WHEELS)
0052	R307066000	FOLDABLE LEGS (NO WHEELS)
0055	R103049025	HOLDERS R5003 FOR LEGS (W/WHEELS)
0056	R103049026	UP-WHEELS D.100Xd12X44
0057	R307061000	FOLDABLE LEGS (W/WHEELS)
0058	R103049027	DOWN-WHEELS F20 D.200
0059	R103049028	SET OF PLASTIC CAPS 120X40
0060	R307090005	FRAMING SQUARE 140X140
0061	R103049029	SET OF PLASTIC CAPS 60X60
0062	R-0618305	SET OF BOLTS HAMMER TYPE M8X20
0063	R-0622379	NUT HAMMER TYPE M8
0064	R-0622284	SET OF BOLTS HAMMER TYPE M8X23
0067	R-0712231	FRAMING SQUARE PG40-40X80 3.21.40.4080.STC

FRAME STANDARD LEGS 85 / 125 / 150 cm


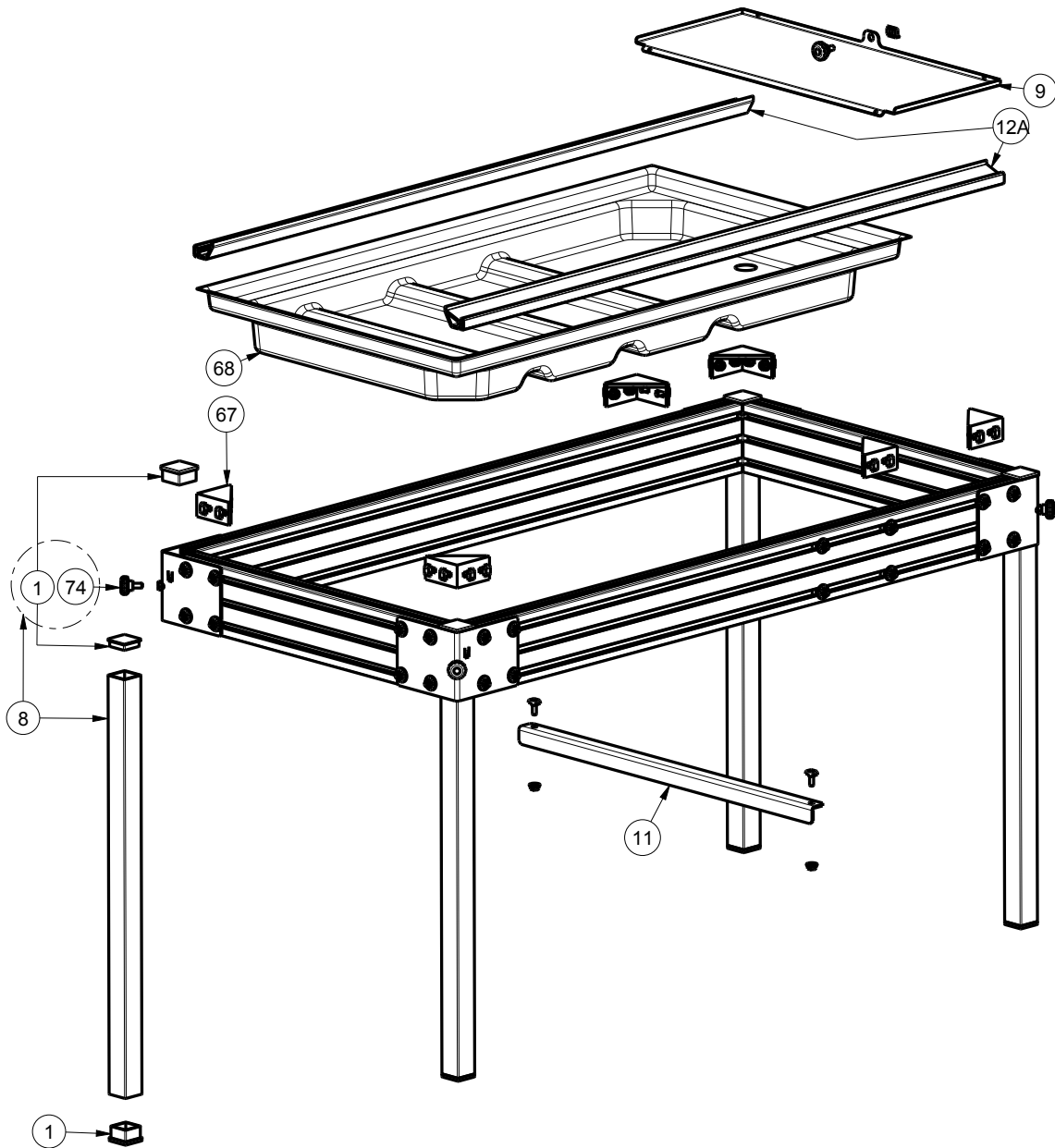
0001	R103059001	SET OF PLASTIC CAPS
0008	R103059013	SET OF LEGS SC MACHINES BASIC R5003
0010	R-0299082	WATER TANK DX54D Z275
0020	R103022500	CHASSIS V85 R5003
	R103032500	CHASSIS V125 R5003
	R103042500	CHASSIS V150 R5003
0067	R-0712231	FRAMING SQUARE PG40-40X80 3.21.40.4080.STC
0074	R-0220415	SET PLASTIC KNOBS 8X16MM

BRIDGE + BENCH 85 / 125 / 150 cm


0009	R-1205230	WATER RECOVERY TRAY G.M.
	R-1206008	WATER RECOVERY TRAY G.M.
	R-1206010	WATER RECOVERY TRAY G.M.
0011	R-0222000	RUBBER STOPPER REF.1860 42X34X30
0012	R-1206005	BRIDGE FRONT MAIN HOLDER R5003
0013	R103029004	ALUMINIUM RAIL V85
	R103049002	ALUMINIUM RAIL V125
	R103049014	ALUMINIUM RAIL V150
0014	R-1206006	BRIDGE REAR MAIN HOLDER R5003
0015	R-1206004	BRIDGE FRONT SUB-HOLDER R5003
0016	R-1206007	BRIDGE REAR SUB-HOLDER R5003
0017	R103029008	SPANNERS SET BUNC
0018	R103059012	COMPLETE ADJ ANGLE RULE MKNO
0021	R103029011	PLATFORM V125
	R103049004	PLATFORM V125
	R103049016	PLATFORM V150
0022	R-1208023	FRONT RULER
0023	R103049005	PLATFORM PLASTIC KNOBS KIT
0036	R103049007	V125 TRANSMISSION
	R103049019	V125 TRANSMISSION
0037	R103049008	TOOTHED BELT RPP5 9MM
	R103049020	TOOTHED BELT RPP5 9MM
0038	R103049009	SET OF PULLEYS
0040	R103049011	DRIVE HOUSINGS SET
0041	R103049012	DRIVE BEARINGS SET
0042	R103049013	DRIVE FLYWHEEL
0045	R-0217003	BLOCKING HANDLE MRX80p-M10x25
0066	R103059008	RULER PLASTIC KNOBS KIT

CUTTING HEAD


0002	R103059002	PROTEC.CURTAIN
0003	R-0299042	COOLING KIT
0004	R103059011	SECURITY RING NUT M8
0005	R321499501	BLADE GUARD (MOBILE) R9011
0006	R321465003	BLADE GUARD (FIXED) R9011
0019	R103029014	DUST-GUARDS SET
0024	R103029015	SLIDING CART
0025	R103049006	ELECTRICAL INSTALLATION GUIDE V125
	R103049017	ELECTRICAL INSTALLATION GUIDE V150
0026	R-1206009	HEAD PLATFORM (FIXED) R5003
0027	R103029018	ENGINE PLATFORM BLOCKADE
0028	R022016000	HEAD PLATFORM (MOTOR) R5003
0043	R-0733202	BEARINGS KIT 62201 2RS
0044	R327199510	SET OF SHAFTS V60/85/125
0075	R-1205193	PLATAFORM SWITCH
0076	R103021100	HANDLEBAR R5003

FRAME STANDARD LEGS 65 / 85 cm


0001	R103059001	PLASTIC PLUG KITS
0008	R103059013	SET OF LEGS SC MACHINES BASIC R5003
0010	R-0299082	WATER TANK DX54D Z275
0011	R-1205183	WATER TANK INFERIOR REINFORCEMENT
012A	R-0712249	SET OF ALUMINIUM RAILS L65
	R-0712255	SET OF ALUMINIUM RAILS L85
0020	R013107000	CHASSIS L65 PF R5003
	R013107100	CHASSIS L85 PF R5003
0067	R-0712231	FRAMING SQUARE PG40-40X80 3.21.40.4080.STC
0074	R-0220415	SET PLASTIC KNOBS 8X16MM