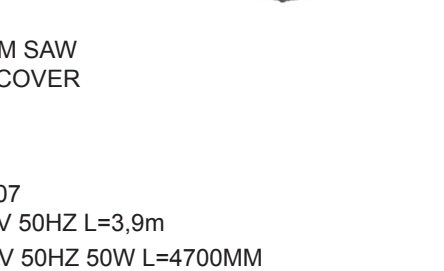
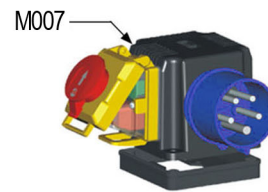
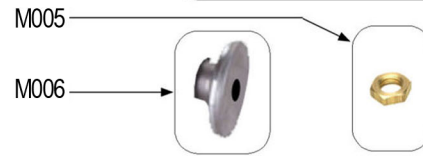
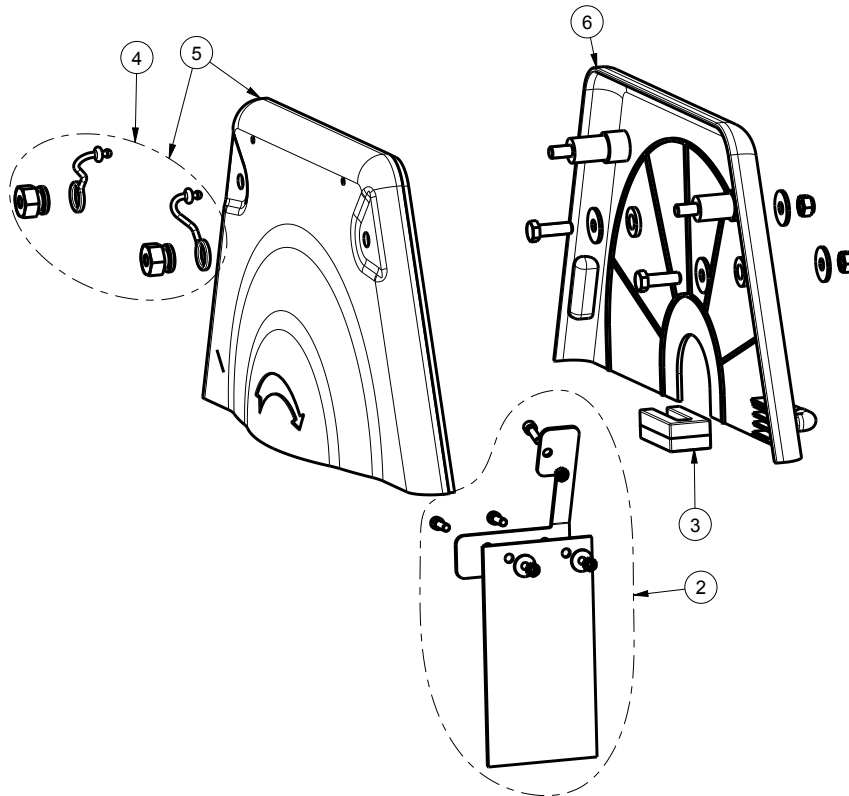


ELECTRIC GROUP


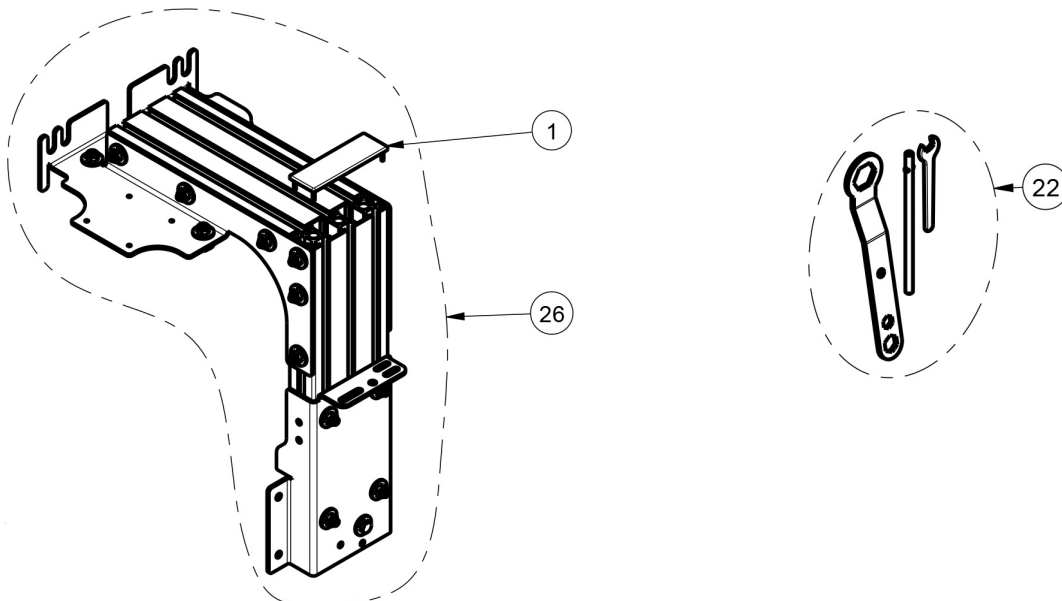
M001	Z	R-0327002	FLAT MOTOR 220 3CV3000RPM SAW
M002	Z	R-0336000	MOTOR COOLING FAN & FAN COVER
M003	Z	R-0399004	ELECTRICAL JUNCTION BOX
M004	Z	R-0733136	SET OF BEARING
M005	Z	R-0622364	NUT FOR MOTOR SHAFT
M006	Z	R-0399062	SET OF FLANGES MOTOR P707
M007	Z	R103029020	SWITCH INTAKE SOCKET 220V 50HZ L=3,9m
M008	Z	R-0326004	WATER PUMP FOR SAWS 220V 50HZ 50W L=4700MM

65 R-0217127 CARRY HANDLES SET (4 PCS.)

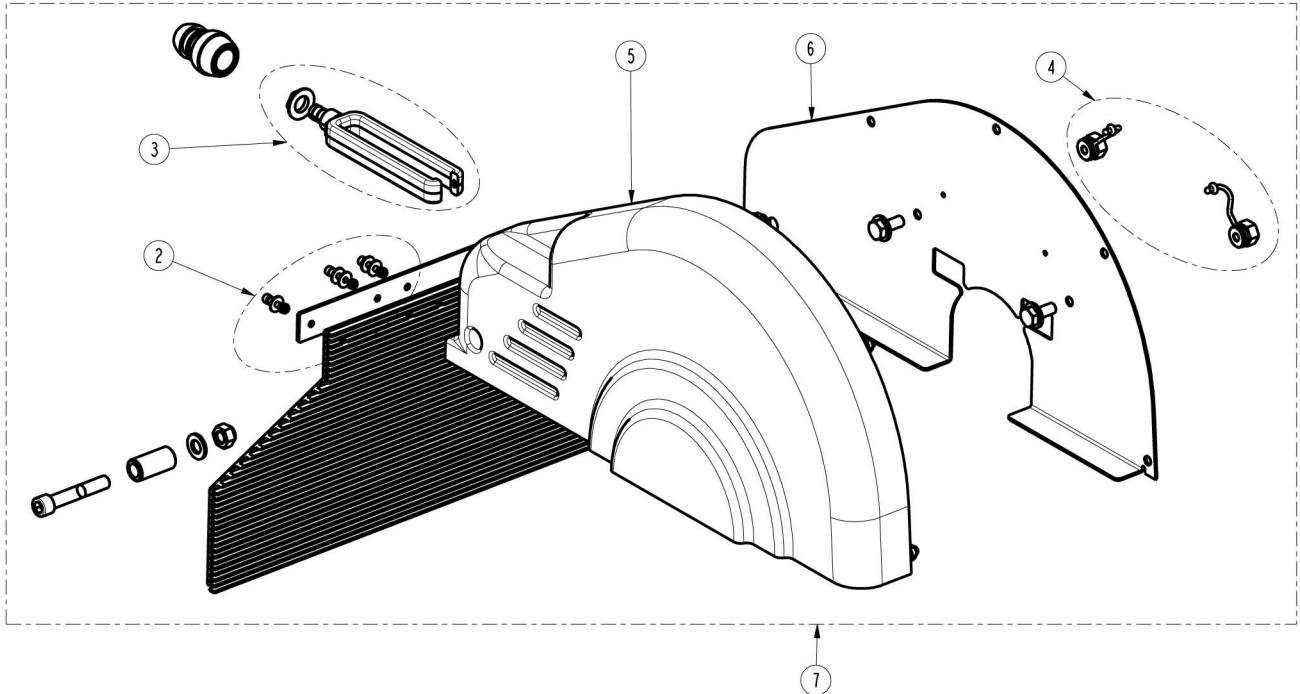
77 R103061500 BASE PLUG 2 P+T+DOMESTIC PLUG


BLADE GUARD D.350


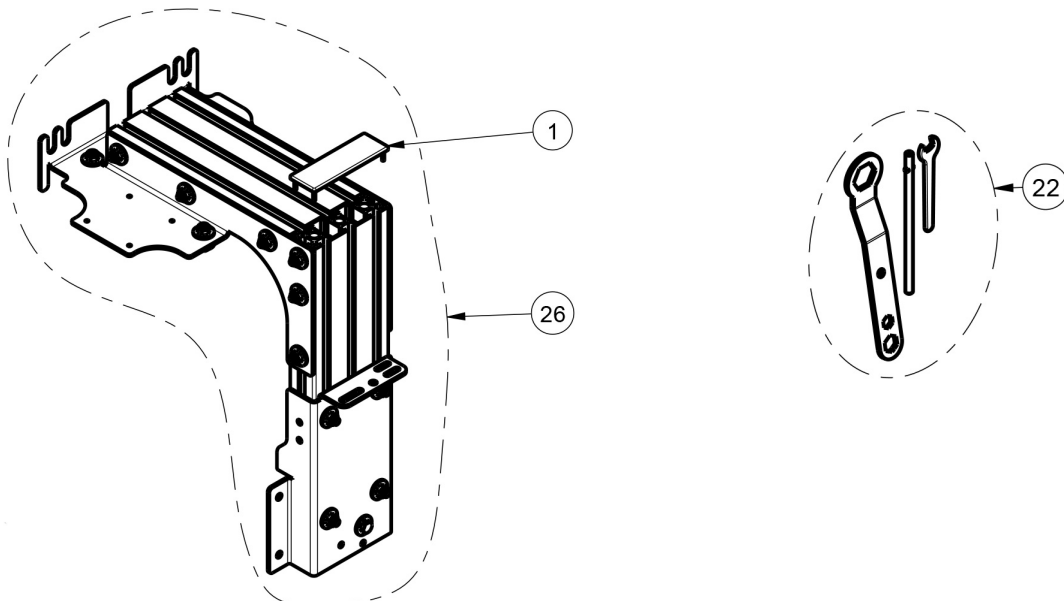
0002	R103059002	PROTEC.CURTAIN DAKAR MKNO
0003	R-0299042	COOLING KIT FOR DELUXE
0004	R103059011	SECURITY RING NUT M8
0005	R321499501	BLADE GUARD (MOBILE) R9011
0006	R321465003	BLADE GUARD (FIXED) R9011

HEAD COLUMN D.350


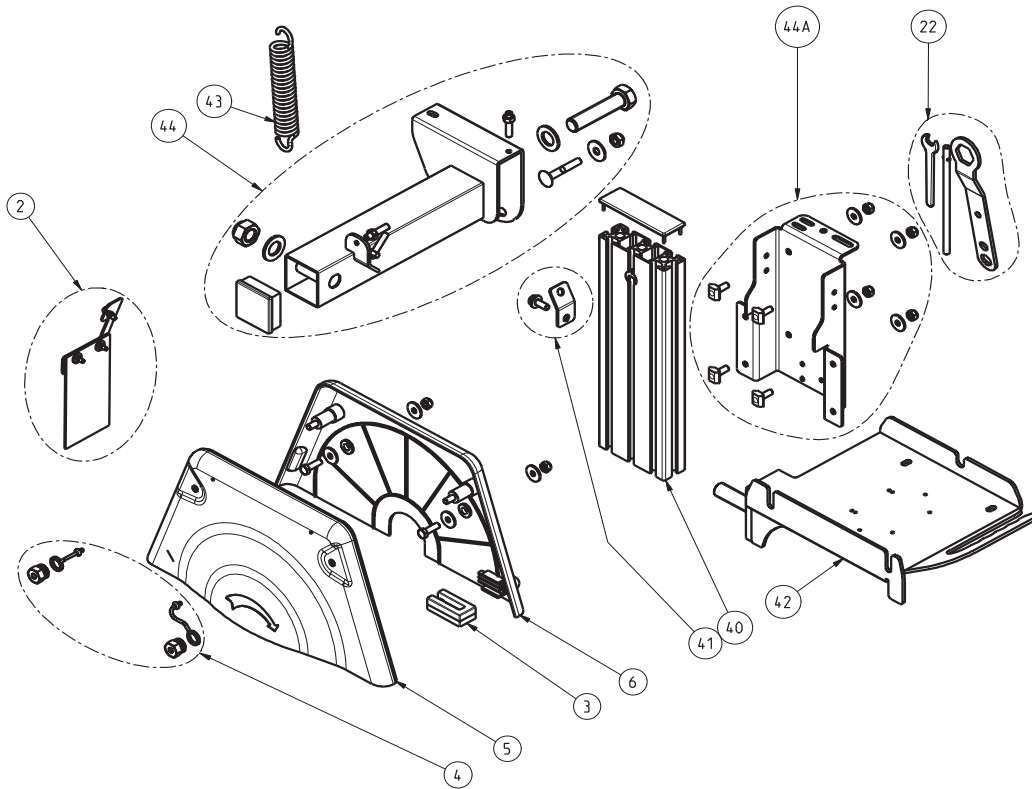
0001	R103059001	PLASTIC PLUG KITS
0026	R103059010	HEAD COLUMN D400 - NO MOTOR
0022	R103059009	SPANNERS SET

BLADE GUARD D.400


0002	Z	R103067501	BLADE GUARD BACK CURTAIN D400
0003	Z	R-0299052	PLASTIC WATER JET FORK
0004	Z	R103059011	SECURITY RING NUT M8
0005	Z	R-0299055	BLADE PROTECTION D400 BLACK
0006	Z	R103521501	BLADE GUARD D400 METAL PLATE
0007	Z	R103062000	COMPLETE BLADE GUARD D400 R9011

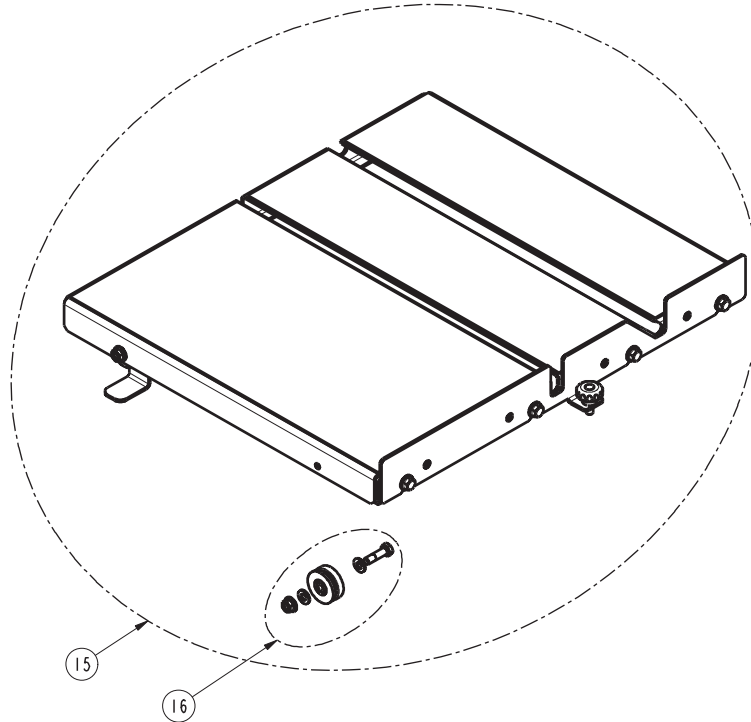
HEAD COLUMN D.400


0001	R103059001	PLASTIC PLUG KITS
0026	R103067503	HEAD COLUMN D400 MKNO - NO MOTOR
0022	R103059009	SPANNERS SET

HEAD COLUMN D.350 - 45°


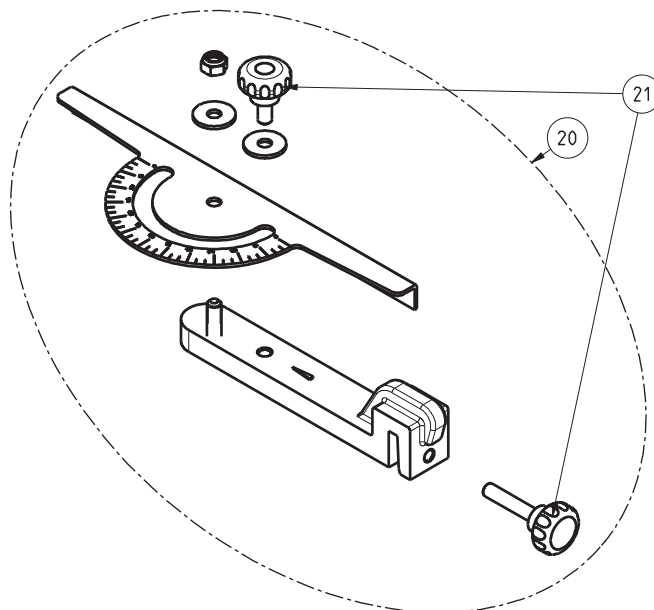
0002	R103059002	PROTEC.CURTAIN D350
0003	R-0299042	COOLING KIT
0004	R103059011	SECURITY RING NUT M8
0005	R321499501	BLADE GUARD (MOBILE) R9011
0006	R321465003	BLADE GUARD (FIXED) R9011
0022	R103059009	SPANNERS SET
0040	R-0712236	ALUMINIUM PROFILE 40x120 SLOTS L-354MM
0041	R-1208042	FASTENING SPRING
0042	R103051300	HEAD PLATFORM
0043	R-0725101	SPRING KIT LIN.D.30X5 L110
0044	R103054000	ARM SET R5003
044A	R-1205146	COLUMN FIXING FRAME

COMPLETE SLIDING CART

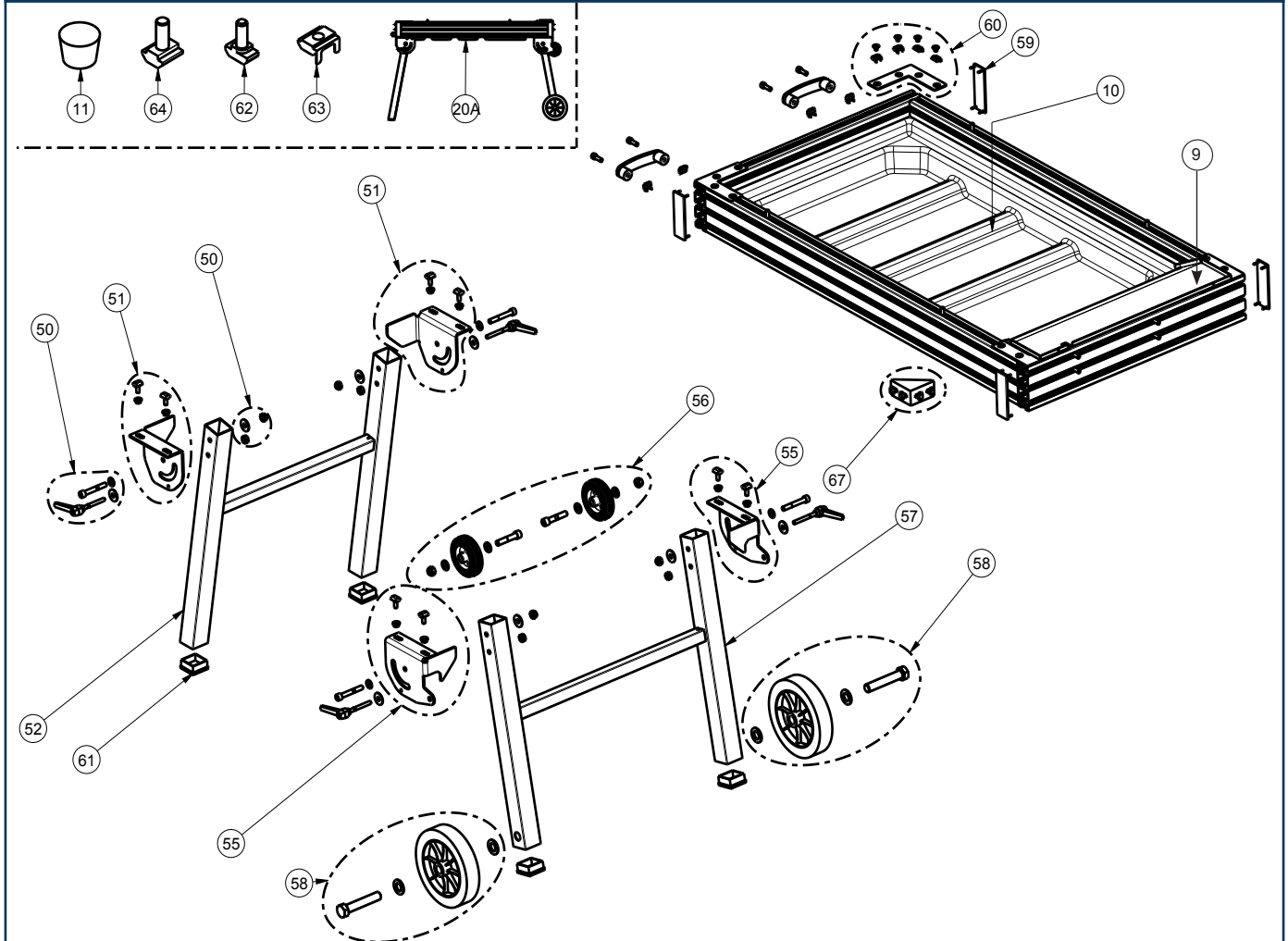


- 0015 R103059007 COMPLETE SLIDING CART
- 0016 R-0299011 SET OF WHEELS

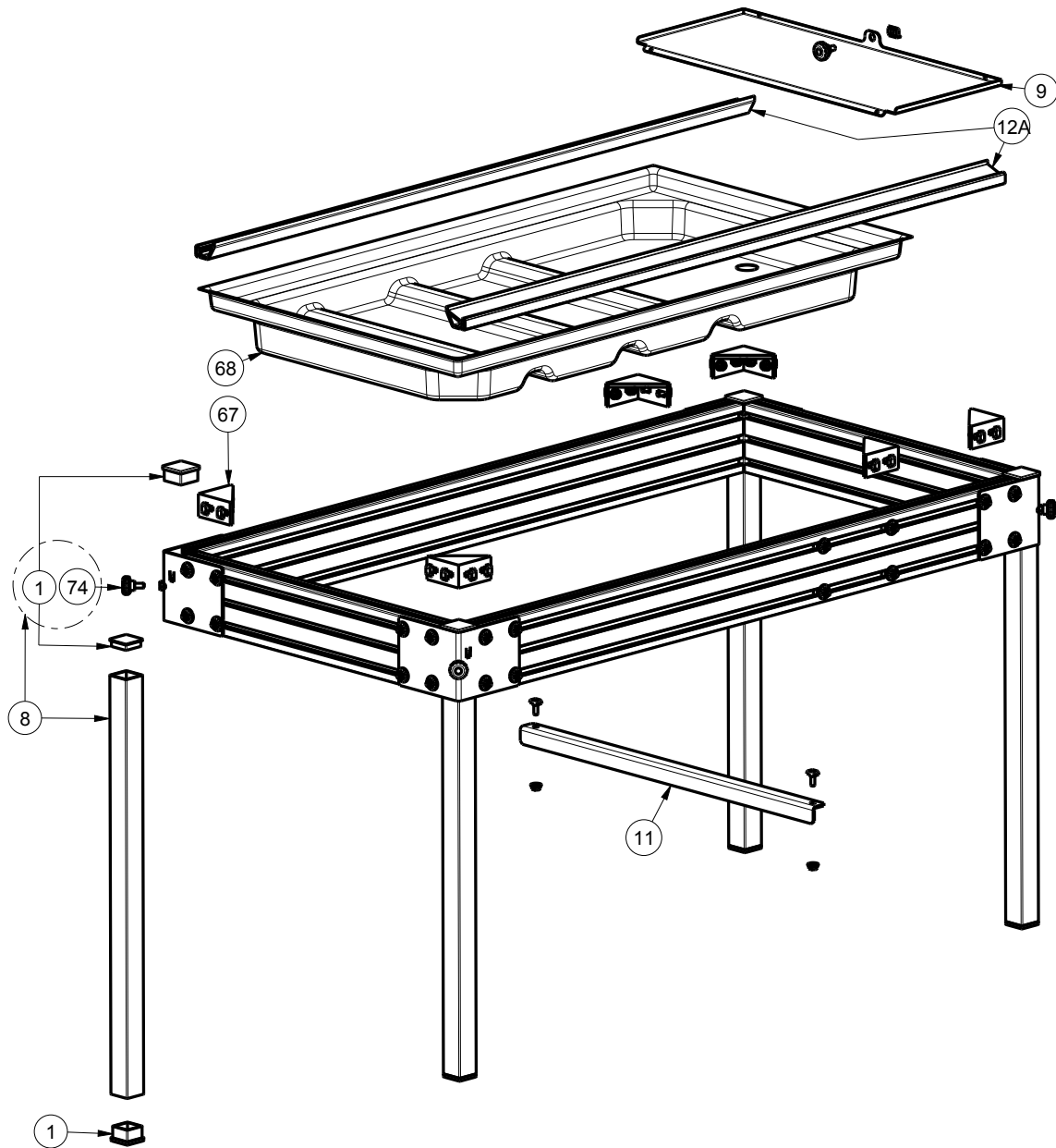
COMPLETE ADJ.ANGLE RULE



- 0020 R103059012 COMPLETE ADJ ANGLE RULE
- 0021 R103059008 RULER PLASTIC KNOBS KIT

FRAME FOLDABLE LEGS 65 / 85 cm


0009	R-1209075	SUPLEMENTO BANDEJA G.M.
0010	R-0299082	WATER TANK DX54D Z275
020A	R307072000	CONJ.CHASIS 65 PP R5003
	R307073000	CONJ.CHASIS 85 PP R5003
0050	R103049023	QUICK RELEASE HANDLES SET M10X70
0051	R103049024	HOLDERS R5003 FOR LEGS (NO WHEELS)
0052	R307066000	FOLDABLE LEGS (NO WHEELS)
0055	R103049025	HOLDERS R5003 FOR LEGS (W/WHEELS)
0056	R103049026	UP-WHEELS D.100Xd12X44
0057	R307061000	FOLDABLE LEGS (W/WHEELS)
0058	R103049027	DOWN-WHEELS F20 D.200
0059	R103049028	SET OF PLASTIC CAPS 120X40
0060	R307090005	FRAMING SQUARE 140X140
0061	R103049029	SET OF PLASTIC CAPS 60X60
0062	R-0618305	SET OF BOLTS HAMMER TYPE M8X20
0063	R-0622379	NUT HAMMER TYPE M8
0064	R-0622284	SET OF BOLTS HAMMER TYPE M8X23
0067	R-0712231	FRAMING SQUARE PG40-40X80 3.21.40.4080.STC

FRAME STANDARD LEGS 65 / 85 cm


0001	R103059001	PLASTIC PLUG KITS
0008	R103059013	SET OF LEGS SC MACHINES BASIC R5003
0010	R-0299082	WATER TANK DX54D Z275
0011	R-1205183	WATER TANK INFERIOR REINFORCEMENT
012A	R-0712249	SET OF ALUMINIUM RAILS L65
	R-0712255	SET OF ALUMINIUM RAILS L85
0020	R013107000	CHASSIS L65 PF R5003
	R013107100	CHASSIS L85 PF R5003
0067	R-0712231	FRAMING SQUARE PG40-40X80 3.21.40.4080.STC
0074	R-0220415	SET PLASTIC KNOBS 8X16MM