

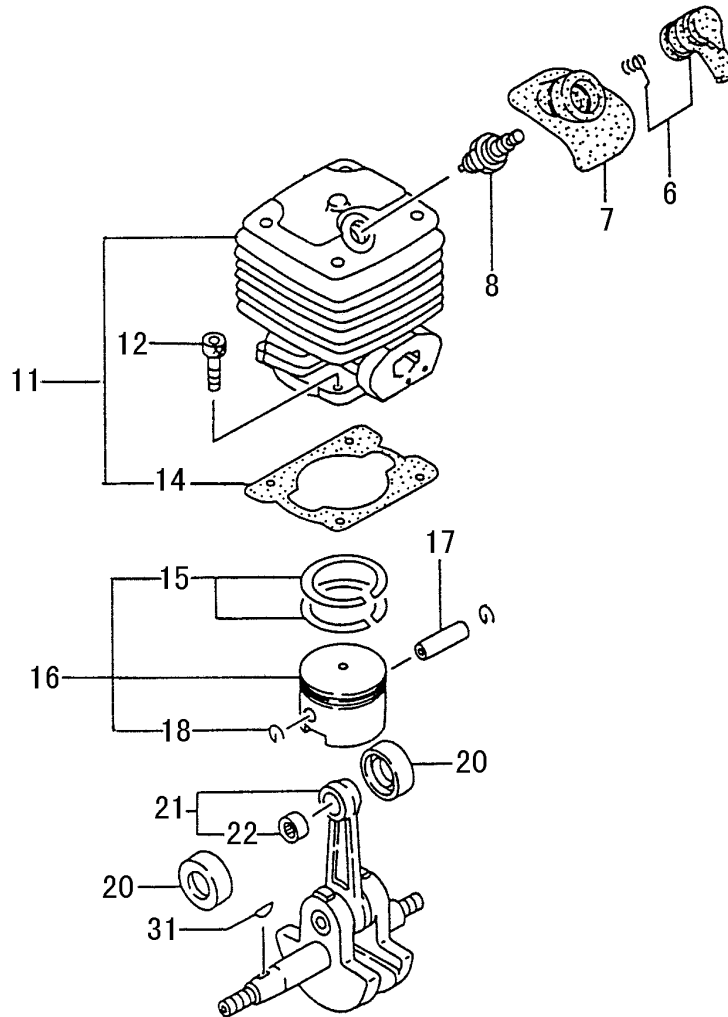
# **B34**

**(For EU)**

## **CG47EJ(T)**

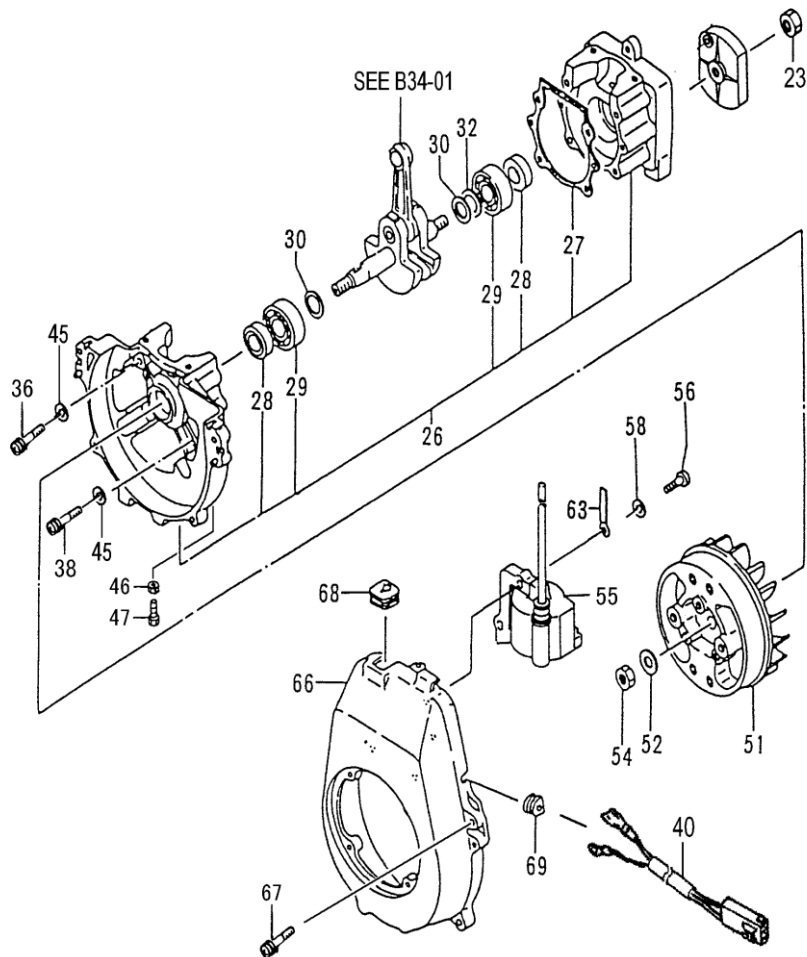
**July,2013**

# B34-01 CYLINDER/PISTON/CRANK SHAFT



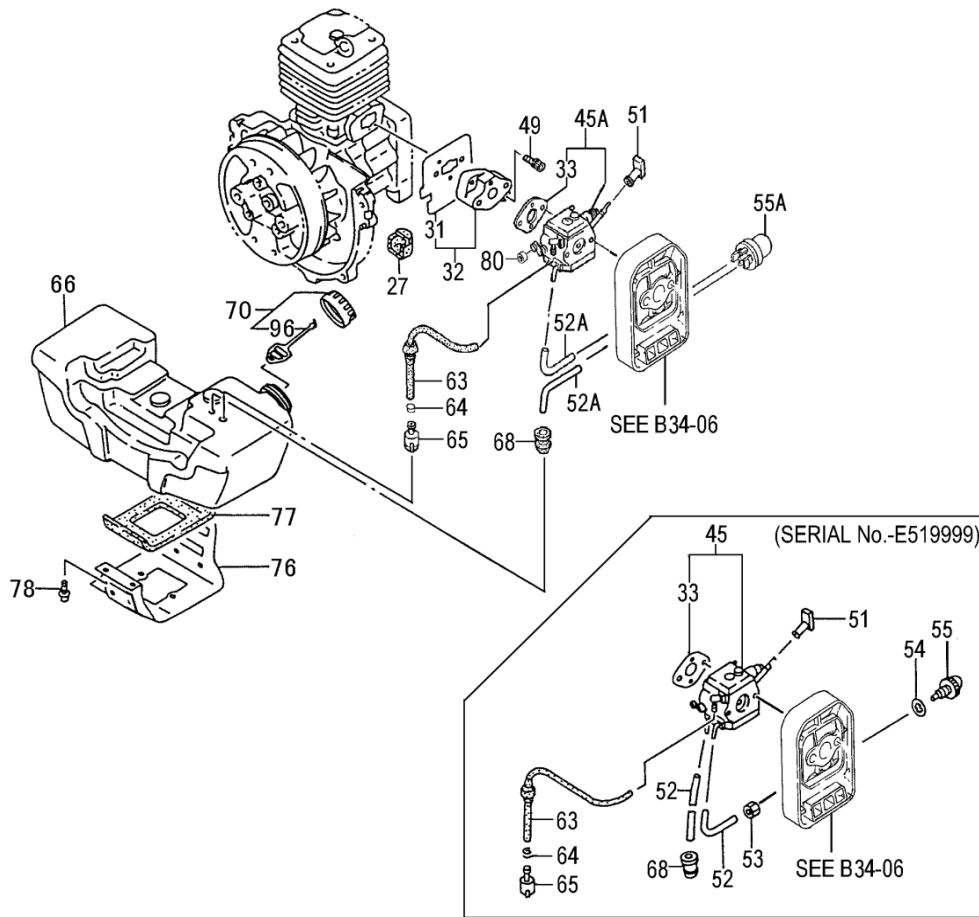
| REF. NUMBER                               | SERVICE CODE No. | DESCRIPTION             | Q'TY | REMARKS /SERIAL NO. |
|---|------------------|-------------------------|------|---------------------|
| <b>B34-01 CYLINDER/PISTON/CRANK SHAFT</b> |                  |                         |      |                     |
| 006                                       | 668-7468         | SPARK PLUG CAP ASS'Y    | 1    |                     |
| 007                                       | 668-8336         | SPARK PLUG RUBBER COVER | 1    | - E329999           |
| 008                                       | 669-9319         | SPARK PLUG ASS'Y BPMR6A | 1    |                     |
| 011                                       | 668-5470         | CYLINDER SET            | 1    |                     |
| 012                                       | 668-4586         | HEX.HOLE BOLT M5X18/S   | 4    |                     |
| 014                                       | 668-5738         | CYLINDER GASKET         | 1    |                     |
| 015                                       | 668-6126         | PISTON RING             | 2    |                     |
| 016                                       | 668-5887         | PISTON SET              | 1    |                     |
| 017                                       | 668-6019         | PISTON PIN 10X35        | 1    |                     |
| 018                                       | 668-6026         | PISTON PIN CIRCLIP      | 2    |                     |
| 020                                       | 668-5993         | PISTON PIN COLLAR       | 2    |                     |
| 021                                       | 668-6190         | CRANK SHAFT COMP.       | 1    |                     |
| 022                                       | 669-5602         | NEEDLE BEARING, 2X8.8   | 1    |                     |
| 031                                       | 668-6457         | WOOD-RUFF KEY 3X13X5    | 1    |                     |

# B34-02 CRANK CASE



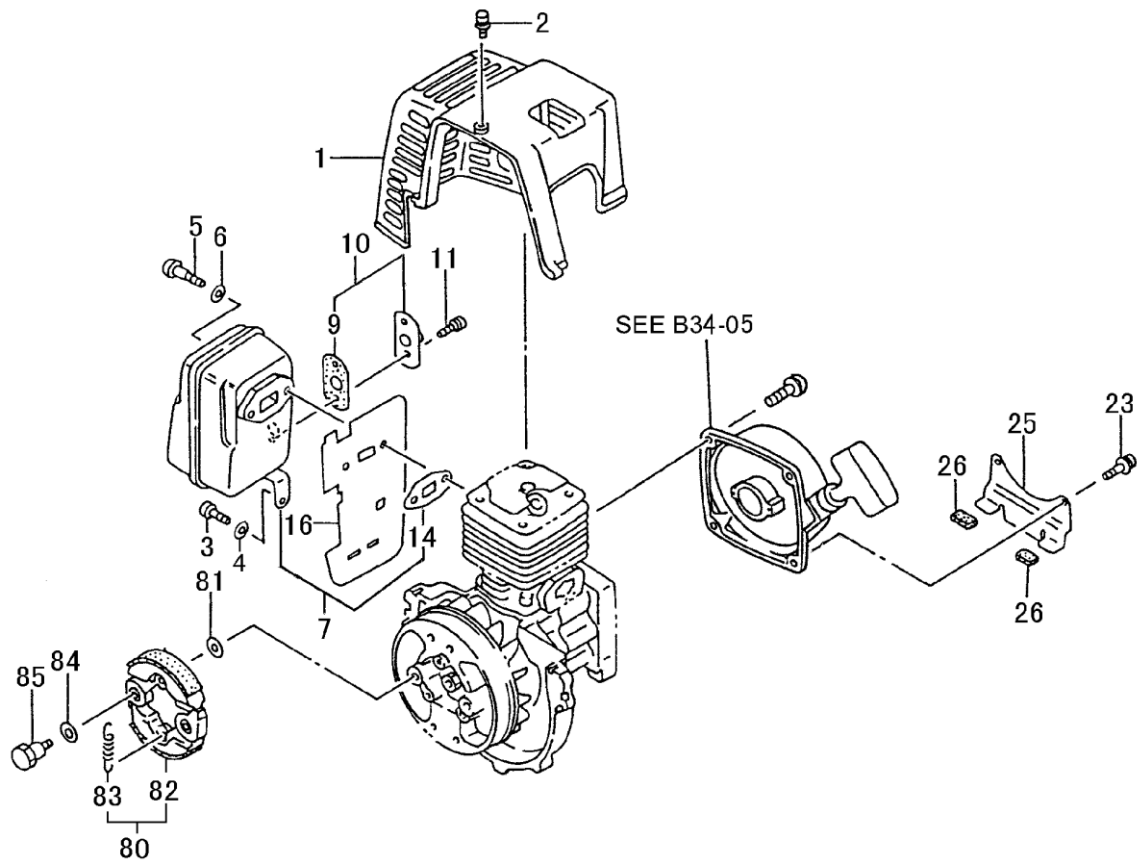
| REF. NUMBER              | SERVICE CODE No. | DESCRIPTION                        | Q'TY | REMARKS /SERIAL NO. |
|--------------------------|------------------|------------------------------------|------|---------------------|
| <b>B34-02 CRANK CASE</b> |                  |                                    |      |                     |
| 023                      | 669-5139         | SMALL NUT 10                       | 1    |                     |
| 026                      | 668-6553         | CRANK CASE ASS'Y                   | 1    |                     |
| 027                      | 668-6713         | CRANK CASE GASKET                  | 1    |                     |
| 028                      | 669-5637         | OIL SEAL UD15257                   | 2    |                     |
| 029                      | 669-5557         | BALL BEARING #6202, 35MM/OD        | 2    |                     |
| 030                      | 668-6463         | CRANK SHAFT WASHER 15.2X22         | 2    |                     |
| 032                      | 668-6472         | CRANK SHAFT SHIM 0.20              | V    |                     |
| 032                      | 668-6473         | CRANK SHAFT SHIM 0.30              | V    |                     |
| 036                      | 669-5084         | HEX HOLE BUTTON SCREW 6X45         | 2    |                     |
| 038                      | 668-4825         | HEX. SOCKET HD. BOLT (W/BUTTON) M6 | 2    |                     |
| 040                      | 668-7966         | LEAD WIRE ASS'Y                    | 1    |                     |
| 045                      | 668-4826         | S.WASHER 6                         | 4    |                     |
| 046                      | 668-4872         | LOCK NUT M6                        | 1    |                     |
| 047                      | 669-4043         | OUTER RECEIVER                     | 1    |                     |
| 051                      | 668-7371         | MAGNETO ROTOR COMP.                | 1    |                     |
| 052                      | 669-5185         | SMALL WASHER 10                    | 1    |                     |
| 054                      | 669-5139         | SMALL NUT 10                       | 1    |                     |
| 055                      | 668-7649         | IGNITION COIL COMP.                | 1    |                     |
| 056                      | 669-5339         | SCREW 5X18/S                       | 2    |                     |
| 058                      | 668-4864         | SMALL WASHER 5                     | 2    |                     |
| 063                      | 668-8004         | CORD CLAMP COMP.                   | 1    |                     |
| 066                      | 668-6974         | FAN CASE, VERMILION                | 1    |                     |
| 067                      | 669-5361         | SCREW 6X20/S                       | 4    |                     |
| 068                      | 668-8055         | PRIMARY CORD GROMMET               | 1    |                     |
| 069                      | 668-8049         | PRIMARY CORD GROMMET               | 1    |                     |

# B34-03 ENGINE-1



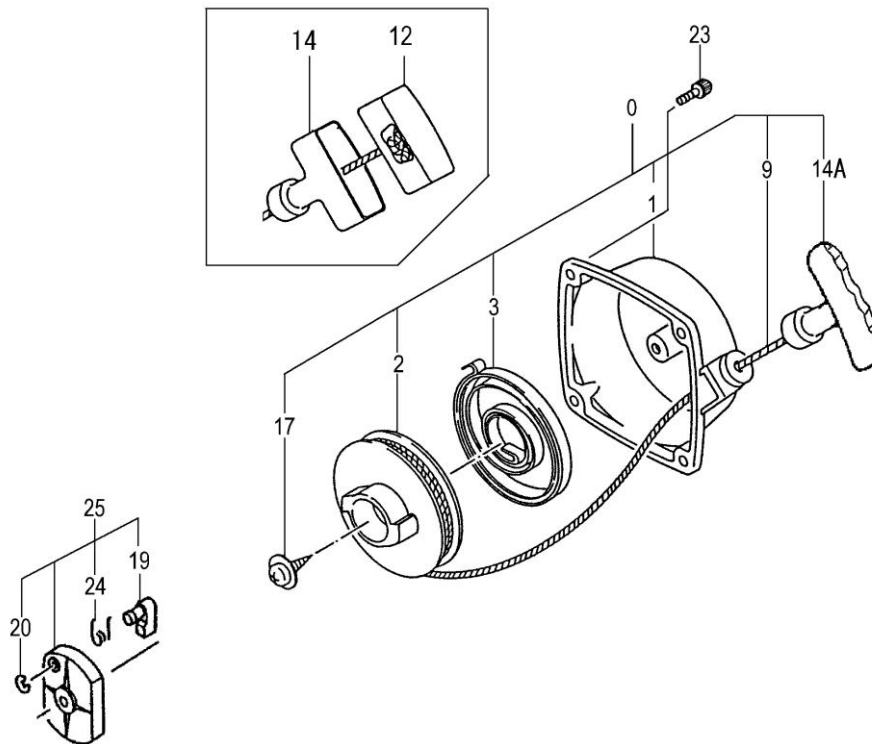
| REF. NUMBER            | SERVICE CODE No. | DESCRIPTION              | Q'TY | REMARKS /SERIAL NO. |
|------------------------|------------------|--------------------------|------|---------------------|
| <b>B34-03 ENGINE-1</b> |                  |                          |      |                     |
| 027                    | 669-2225         | FUEL TANK CUSHION RUBBER | 2    |                     |
| 031                    | 668-9883         | INLET MANIFOLD GASKET    | 1    |                     |
| 032                    | 668-9950         | CARB. INSULATOR SET      | 1    |                     |
| 033                    | 668-9826         | CARBURETOR GASKET        | 1    |                     |
| 045                    | 669-0468         | CARBURETOR SET HDA306    | 1    | - E519999           |
| 045A                   | 669-7706         | CARBURETOR SET HDA180A   | 1    | E610001 -           |
| 049                    | 669-5423         | SCREW 5X24WS             | 2    |                     |
| 051                    | 669-1004         | CHOKE LEVER              | 1    |                     |
| 052                    | 668-5267         | FUEL PIPE 2.5X4X90       | 2    | - E519999           |
| 052A                   | 669-2347         | FUEL PIPE 2.5X4X80       | 2    | E610001 -           |
| 053                    | 669-5139         | SMALL NUT 10             | 1    | - E519999           |
| 054                    | 669-5235         | INNER TOOTHED WASHER 10  | 1    | - E519999           |
| 055                    | 669-0080         | PRIMING PUMP COMP.       | 1    | - E519999           |
| 055A                   | 668-5139         | PRIMING PUMP COMP.       | 1    | E610001 -           |
| 063                    | 668-8166         | FUEL PIPE ASS'Y 3X5X230  | 1    |                     |
| 064                    | 668-4619         | CLIP,6.3 DIA.            | 1    |                     |
| 065                    | 669-2273         | PUMP FILTER BODY ASS'Y   | 1    |                     |
| 066                    | 669-1526         | FUEL TANK, WHITE         | 1    |                     |
| 068                    | 669-7846         | RETURN GROMMET           | 1    |                     |
| 070                    | 669-1763         | TANK CAP D ASS'Y, BLACK  | 1    |                     |
| 076                    | 669-1927         | TANK HOLDING BAND        | 1    |                     |
| 077                    | 669-2193         | CUSHION RUBBER           | 1    |                     |
| 078                    | 669-5386         | SCREW 5X16/PS            | 2    |                     |
| 080                    | 669-1337         | SWIVEL CAP               | 1    |                     |
| 096                    | 668-4625         | TANK CAP CHAIN           | 1    |                     |

# B34-04 ENGINE-2



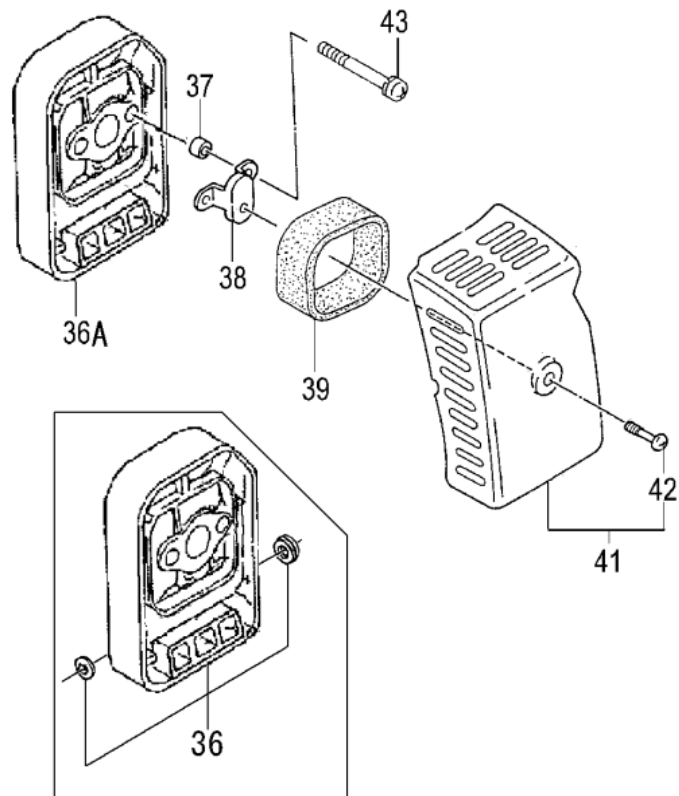
| REF. NUMBER            | SERVICE CODE No. | DESCRIPTION                 | Q'TY | REMARKS /SERIAL NO. |
|------------------------|------------------|-----------------------------|------|---------------------|
| <b>B34-04 ENGINE-2</b> |                  |                             |      |                     |
| 001                    | 669-2777         | MUFFLER PROTECTOR           | 1    |                     |
| 002                    | 669-5383         | SCREW 5X12/PS               | 1    |                     |
| 003                    | 668-4667         | HEX.HOLE BOLT M5X12/S       | 1    |                     |
| 004                    | 668-4918         | WASHER M5 (BLACK)           | 1    |                     |
| 005                    | 669-5088         | HEX. HOLE BUTTON SCREW 6X65 | 2    |                     |
| 006                    | 668-4639         | BOLT WASHER 6               | 2    |                     |
| 007                    | 669-2465         | MUFFLER SET, SPARE          | 1    |                     |
| 009                    | 669-2883         | MUFFLER SPECIAL GASKET      | 1    |                     |
| 010                    | 669-2648         | TAIL PIPE SET, SPARE        | 1    |                     |
| 011                    | 669-5325         | SCREW 4X8/S                 | 2    |                     |
| 014                    | 669-2741         | MUFFLER GASKET              | 1    |                     |
| 016                    | 668-7242         | HEAT SHIELD                 | 1    |                     |
| 023                    | 669-5389         | SCREW 5X18/PS               | 2    |                     |
| 025                    | 669-2205         | TANK BRACKET                | 1    |                     |
| 026                    | 669-2227         | FUEL TANK CUSHION RUBBER    | 2    |                     |
| 080                    | 669-9561         | CLUTCH SET ASS'Y            | 1    |                     |
| 081                    | 668-9645         | CLUTCH WASHER B             | 2    |                     |
| 082                    | 668-8615         | CLUTCH ARM                  | 2    |                     |
| 083                    | 668-9429         | CLUTCH SPRING               | 1    |                     |
| 084                    | 669-5203         | WAVE WASHER 10              | 2    |                     |
| 085                    | 668-9628         | CLUTCH STEP BOLT            | 2    |                     |

# B34-05 RECOIL STARTER



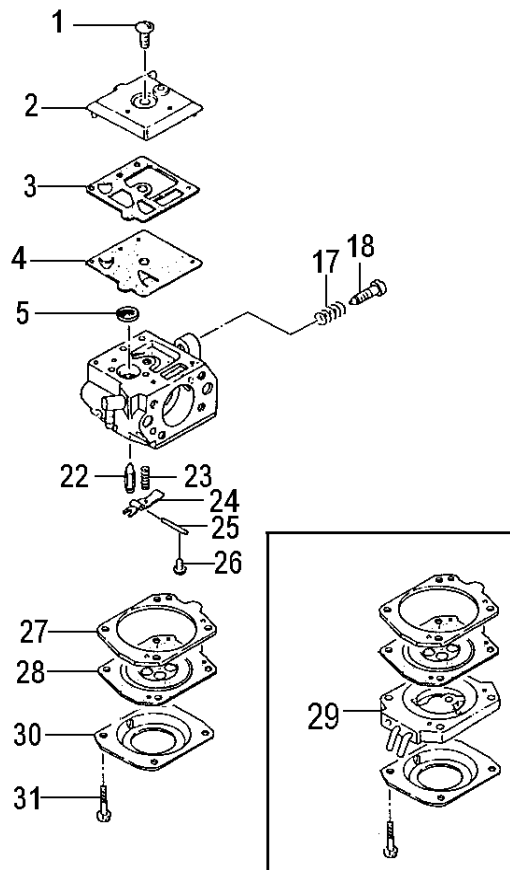
| REF. NUMBER                  | SERVICE CODE No. | DESCRIPTION               | Q'TY | REMARKS /SERIAL NO. |
|------------------------------|------------------|---------------------------|------|---------------------|
| <b>B34-05 RECOIL STARTER</b> |                  |                           |      |                     |
| 000                          | 669-7645         | RECOIL STARTER BODY ASS'Y | 1    |                     |
| 001                          | 669-3025         | RECOIL STARTER BODY COMP. | 1    | - E700100           |
| 001                          | 669-7646         | RECOIL STARTER BODY COMP  | 1    | E700101 -           |
| 002                          | 669-3007         | STARTER ROPE REEL         | 1    | - E700100           |
| 002                          | 669-7647         | STARTER ROPE REEL         | 1    | E700101 -           |
| 003                          | 669-3114         | RECOIL SPRING             | 1    | - E700100           |
| 003                          | 669-7648         | RECOIL SPRING             | 1    | E700101 -           |
| 009                          | 669-3165         | STARTER ROPE              | 1    | - E700100           |
| 009                          | 669-7649         | STARTER ROPE              | 1    | E700101 -           |
| 012                          | 669-3607         | STARTER HANDLE CAP        | 1    | - E700100           |
| 014                          | 669-3232         | STARTER HANDLE            | 1    | - E700100           |
| 014A                         | 669-7650         | STARTER HANDLE            | 1    | E700101 -           |
| 017                          | 669-3634         | SET SCREW                 | 1    |                     |
| 019                          | 669-3302         | STARTER PAWL              | 1    | - E700100           |
| 019                          | 669-7643         | STARTER PAWL              | 2    | E700101 -           |
| 020                          | 668-4683         | STOP RING E-5             | 1    | - E700100           |
| 020                          | 668-4683         | STOP RING E-5             | 2    | E700101 -           |
| 023                          | 669-5395         | SCREW 5X25PS              | 2    |                     |
| 024                          | 669-3345         | STARTER PAWL SPRING       | 1    | - E700100           |
| 024                          | 669-7642         | STARTER PAWL SPRING       | 2    | E700101 -           |
| 025                          | 669-3395         | STARTER PULLEY            | 1    | - E700100           |
| 025                          | 669-7644         | STARTER PULLEY ASS'Y      | 1    | E700101 -           |

# B34-06 AIR CLEANER



| REF. NUMBER               | SERVICE CODE No. | DESCRIPTION                 | Q'TY | REMARKS /SERIAL NO. |
|---------------------------|------------------|-----------------------------|------|---------------------|
| <b>B34-06 AIR CLEANER</b> |                  |                             |      |                     |
| 036                       | 669-9506         | CLEANER BODY SET            | 1    | - E519999           |
| 036A                      | 669-7705         | CLEANER BODY                | 1    | E610001 -           |
| 037                       | 669-2244         | COLLAR 5.8                  | 2    |                     |
| 038                       | 669-0848         | BLOW OVER CHECK BOARD COMP. | 1    |                     |
| 039                       | 669-0357         | CLEANER ELEMENT             | 1    |                     |
| 041                       | 669-0149         | CLEANER COVER ASS'Y         | 1    |                     |
| 042                       | 669-0383         | COVER FIXING BOLT           | 1    |                     |
| 043                       | 669-5354         | SCREW 5X60/S                | 2    |                     |

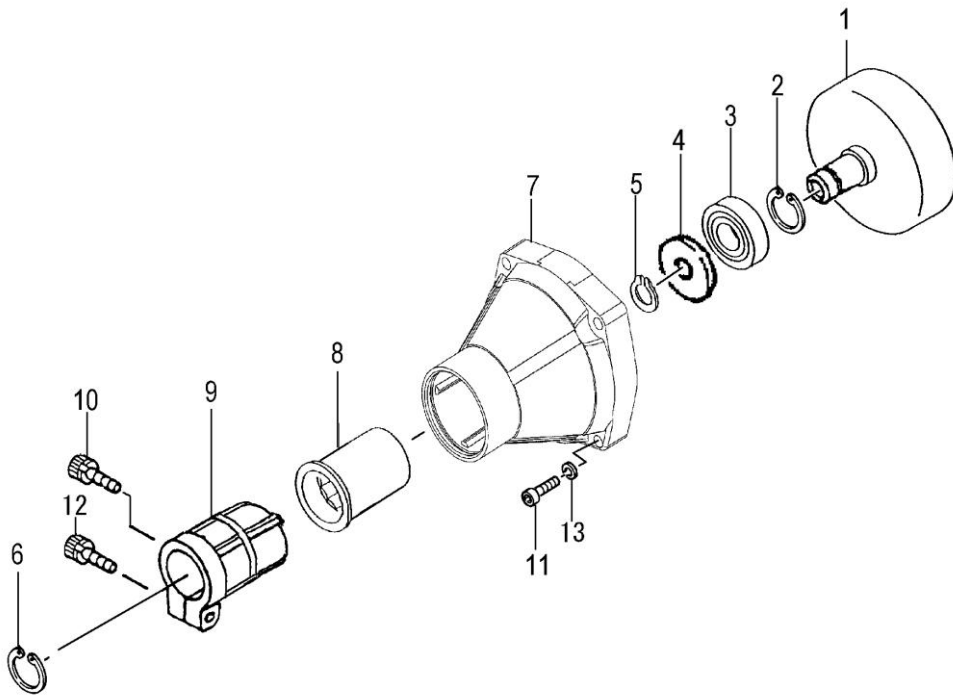
# B34-07 CARBURETOR



| REF. NUMBER              | SERVICE CODE No. | DESCRIPTION              | Q'TY | REMARKS /SERIAL NO. |
|--------------------------|------------------|--------------------------|------|---------------------|
| <b>B34-07 CARBURETOR</b> |                  |                          |      |                     |
| 001                      | 668-5210         | SCREW                    | 1    |                     |
| 002                      | 669-1420         | PUMP BODY                | 1    |                     |
| 003                      | 669-1455         | PUMP GASKET              | 1    |                     |
| 004                      | 669-1446         | PUMP DIAPHRAGM           | 1    |                     |
| 005                      | 668-4700         | INLET SCREEN             | 1    |                     |
| 017                      | 669-0766         | IDLE ADJUST SPRING       | 1    |                     |
| 018                      | 669-0736         | IDLE ADJUST SCREW        | 1    |                     |
| 022                      | 668-5215         | NEEDLE VALVE             | 1    |                     |
| 023                      | 669-0874         | VALVE SPRING             | 1    |                     |
| 024                      | 669-0819         | CONTROL LEVER            | 1    |                     |
| 025                      | 668-5219         | HINGE PIN                | 1    |                     |
| 026                      | 668-5218         | HINGE PIN SET SCREW      | 1    |                     |
| 027                      | 669-0840         | DIAPHRAGM GASKET         | 1    | - E519999           |
| 027                      | 669-0838         | DIAPHRAGM GASKET         | 1    | E610001 -           |
| 028                      | 669-0829         | METERING DIAPHRAGM COMP. | 1    | - E519999           |
| 028                      | 669-0828         | METERING DIAPHRAGM COMP. | 1    | E610001 -           |
| 029                      | 669-0434         | AIR PURGE COMP.          | 1    | - E519999           |
| 030                      | 669-0860         | DIAPHRAGM COVER          | 1    | - E519999           |
| 030                      | 669-0858         | DIAPHRAGM COVER          | 1    | E610001 -           |
| 031                      | 669-1310         | SET SCREW                | 4    | - E519999           |
| 031                      | 668-5223         | SET SCREW                | 4    | E610001 -           |

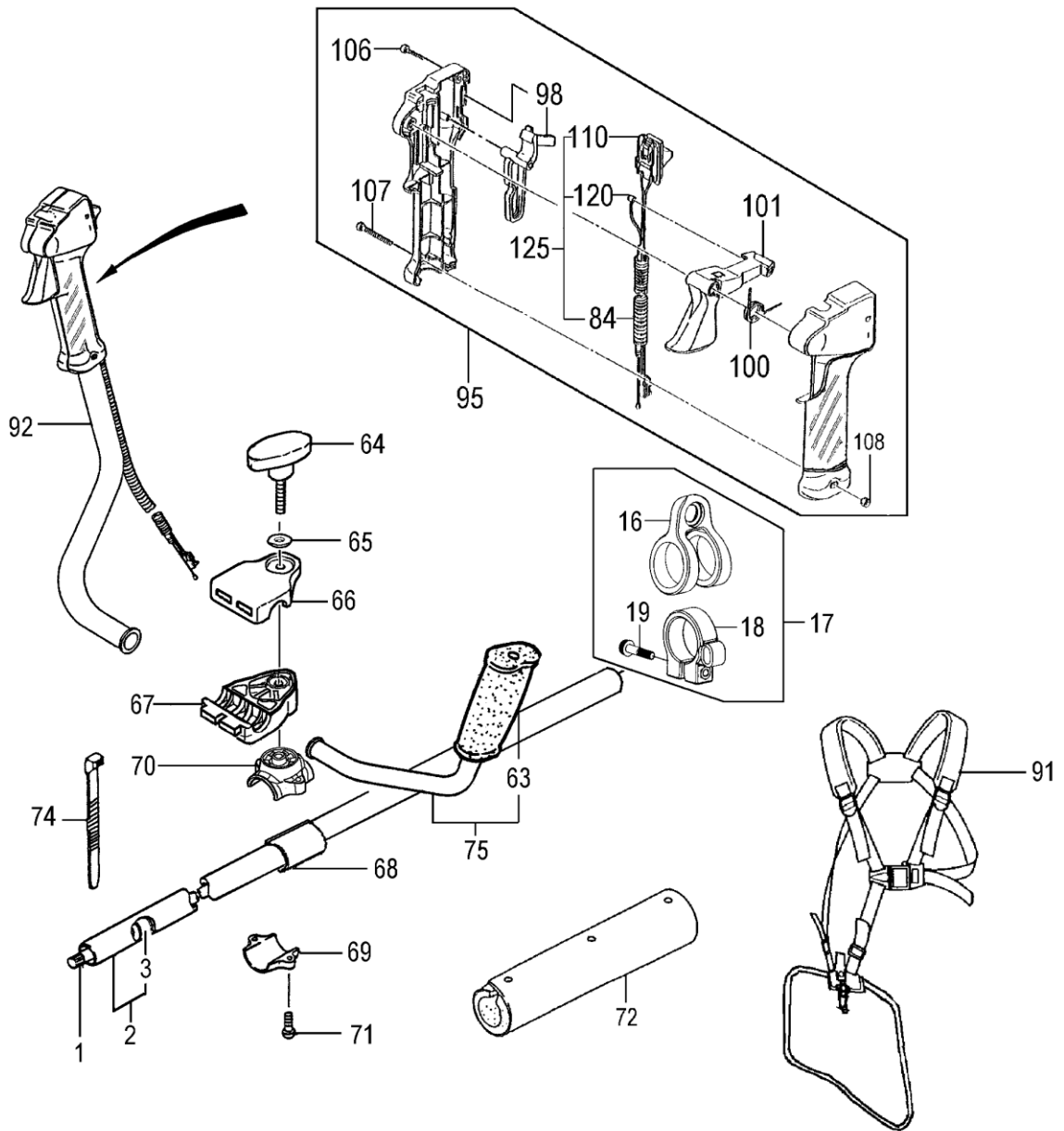


# B34-08 CLUTCH CASE



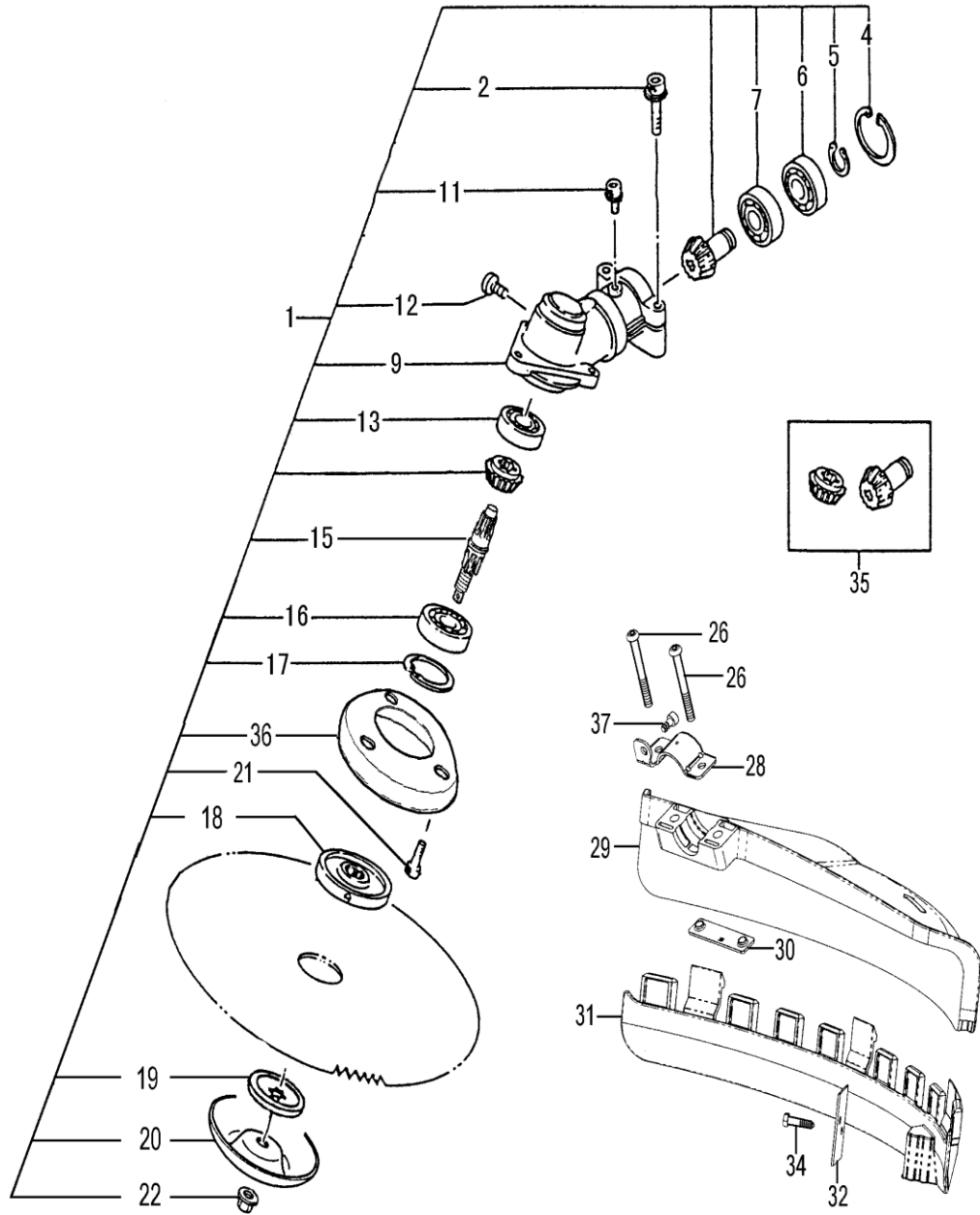
| REF. NUMBER               | SERVICE CODE No. | DESCRIPTION                   | Q'TY | REMARKS /SERIAL NO. |
|---------------------------|------------------|-------------------------------|------|---------------------|
| <b>B34-08 CLUTCH CASE</b> |                  |                               |      |                     |
| 001                       | 668-8607         | CLUTCH SHAFT COMP.            | 1    |                     |
| 002                       | 669-5295         | STOP RING C-32, INNER         | 1    |                     |
| 003                       | 669-5537         | BALL BEARING #6002ZZ, 32MM/OD | 1    |                     |
| 004                       | 668-9185         | WASHER                        | 1    |                     |
| 005                       | 669-5285         | STOP RING C-15, OUTER         | 1    |                     |
| 006                       | 669-5305         | STOP RING C-45, OUTER         | 1    |                     |
| 007                       | 668-9229         | CLUCH CASE                    | 1    |                     |
| 008                       | 669-1905         | CUSHION RUBBER                | 1    |                     |
| 009                       | 668-9663         | PIPE HOLDER                   | 1    |                     |
| 010                       | 669-5042         | HEX. HOLE BOLT 5X10           | 1    |                     |
| 011                       | 669-5082         | HEX HOLE SCREW 6X30           | 4    |                     |
| 012                       | 669-5499         | HEX.HOLE BOLT 6X30/S          | 1    |                     |
| 013                       | 668-4826         | S.WASHER 6                    | 4    |                     |

# B34-09 OPERATION PIPE



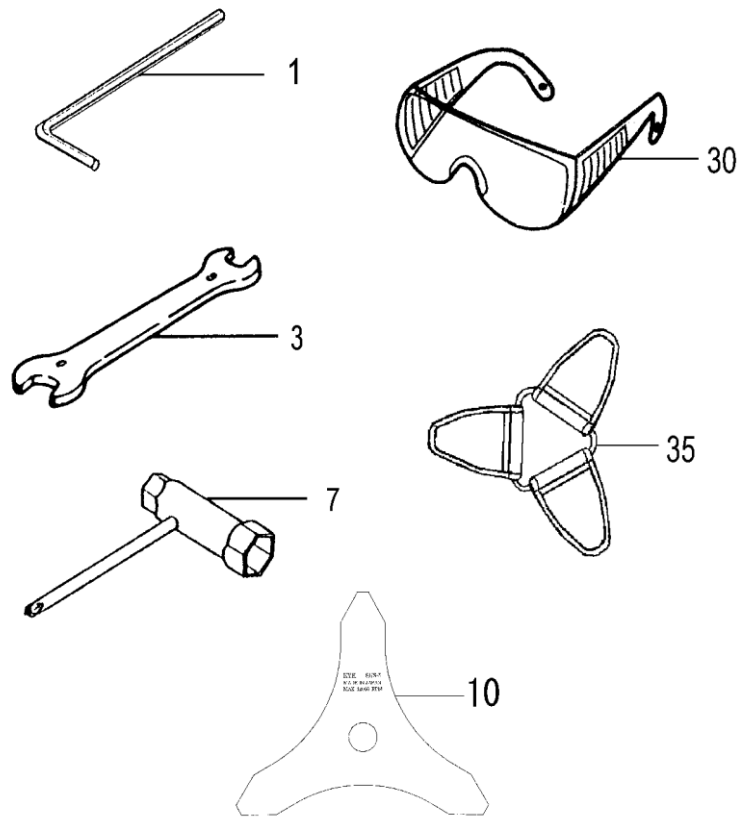
| REF. NUMBER                  | SERVICE CODE No. | DESCRIPTION                 | Q'TY | REMARKS /SERIAL NO. |
|------------------------------|------------------|-----------------------------|------|---------------------|
| <b>B34-09 OPERATION PIPE</b> |                  |                             |      |                     |
| 001                          | 668-9474         | DRIVE SHAFT 1542L           | 1    |                     |
| 002                          | 668-9404         | DRIVE SHAFT PIPE COMP.1500L | 1    |                     |
| 003                          | 668-9524         | BUSH ASS'Y                  | 7    |                     |
| 016                          | 668-9278         | HANGER                      | 1    |                     |
| 017                          | 668-9279         | LIFTING METAL ASS'Y         | 1    |                     |
| 018                          | 668-9293         | HANGER FIXING BRACKET       | 1    |                     |
| 019                          | 669-5515         | HEX. HOLE BOLT 5X25WS       | 1    |                     |
| 063                          | 668-4708         | HANDLE GRIP                 | 1    |                     |
| 064                          | 669-1208         | HANDLE KNOB COMP.           | 1    |                     |
| 065                          | 669-2955         | MOUNTING WASHER 1.0         | 1    |                     |
| 066                          | 669-1144         | HANDLE BRACKET A            | 1    |                     |
| 067                          | 669-1150         | HANDLE BRACKET B            | 1    |                     |
| 068                          | 669-1190         | CUSHION RUBBER              | 1    |                     |
| 069                          | 669-1175         | HANDLE BRACKET C            | 1    |                     |
| 070                          | 669-1160         | HANDLE BRACKET B            | 1    |                     |
| 071                          | 669-5515         | HEX. HOLE BOLT 5X25WS       | 2    |                     |
| 072                          | 668-9291         | HIP PAD                     | 1    |                     |
| 074                          | 668-8024         | CORD CLAMP                  | 2    |                     |
| 075                          | 669-1089         | HANDLE LEFT ASS'Y           | 1    |                     |
| 084                          | 668-7542         | PROTECTION TUBE 7X790L      | 1    |                     |
| 091                          | 669-5796         | SHOULDER HARNESS D3X        | 1    |                     |
| 092                          | 669-1080         | RIGHT HANDLE                | 1    |                     |
| 095                          | 669-3728         | THROTTLE LEVER ASS'Y 19     | 1    |                     |
| 098                          | 668-4721         | TRIGGER LOCK OUT            | 1    |                     |
| 100                          | 668-4722         | RETURN SPRING               | 1    |                     |
| 101                          | 668-4723         | THROTTLE LEVER              | 1    |                     |
| 106                          | 668-4725         | SCREW M4X20 (BLACK)         | 2    |                     |
| 107                          | 668-4726         | SCREW 5X30 (BLACK)          | 1    |                     |
| 108                          | 668-4727         | CONTAL NUT 5                | 1    |                     |
| 110                          | 668-7439         | STOP SWITCH COMP.           | 1    |                     |
| 120                          | 669-4008         | THROTTLT WIRE               | 1    |                     |
| 125                          | 669-3954         | THROTTLE WIRE COMP.         | 1    |                     |

# B34-10 GEAR CASE



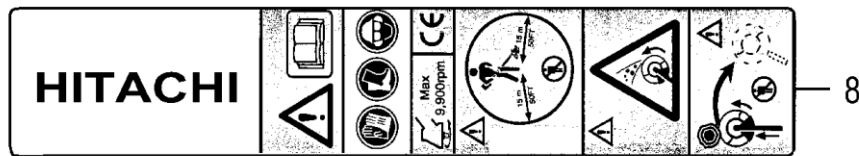
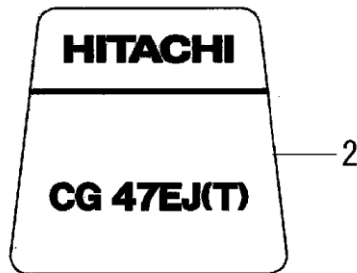
| REF. NUMBER             | SERVICE CODE No. | DESCRIPTION                   | Q'TY | REMARKS /SERIAL NO. |
|-------------------------|------------------|-------------------------------|------|---------------------|
| <b>B34-10 GEAR CASE</b> |                  |                               |      |                     |
| 001                     | 668-8799         | GEAR CASE ASS'Y 28 DIA        | 1    |                     |
| 002                     | 669-5497         | HEX.HOLE BOLT 6X25S           | 2    |                     |
| 004                     | 668-4741         | STOP RING C-28,INNER          | 1    |                     |
| 005                     | 668-4664         | STOP RING C-12 OUTER          | 1    |                     |
| 006                     | 669-5532         | BALL BEARING #6001Z, 28MM/OD  | 1    |                     |
| 007                     | 668-4608         | BALL BEARING 6001 C3          | 1    |                     |
| 009                     | 668-8798         | GEAR CASE                     | 1    |                     |
| 011                     | 669-5510         | HEX HOLE BOLT 5X12            | 1    |                     |
| 012                     | 669-4979         | BOLT 6X8                      | 1    |                     |
| 013                     | 668-4608         | BALL BEARING 6001 C3          | 1    |                     |
| 015                     | 668-8943         | GEAR SHAFT L-M10X1.25         | 1    |                     |
| 016                     | 669-6297         | BALL BEARING #6202DD, 35MM/OD | 1    |                     |
| 017                     | 669-5296         | STOP RING C-35, INNER         | 1    |                     |
| 018                     | 668-9029         | CUTTER HOLDER                 | 1    |                     |
| 019                     | 668-9051         | CUTTER HOLDER CAP             | 1    |                     |
| 020                     | 668-8995         | PROTECTION COVER B            | 1    |                     |
| 021                     | 669-5418         | SCREW 5X16/WS                 | 3    |                     |
| 022                     | 668-9073         | FIXING NUT M10X1.25           | 1    |                     |
| 026                     | 669-5082         | HEX HOLE SCREW 6X30           | 2    |                     |
| 028                     | 669-0313         | SAFETY GUARD BRACKET          | 1    |                     |
| 029                     | 669-0265         | GUARD                         | 1    |                     |
| 030                     | 669-0342         | SAFTY COVER HOLDER            | 1    |                     |
| 031                     | 669-0374         | COVER GUARD                   | 1    |                     |
| 032                     | 669-3386         | KNIFE                         | 1    |                     |
| 034                     | 668-4753         | TAPPING SCREW 5X20            | 1    |                     |
| 035                     | 668-8879         | GEAR PINION SET,SPARE         | 1    |                     |
| 036                     | 669-7604         | GEAR CASE COVER COMP          | 1    |                     |
| 037                     | 669-5042         | HEX. HOLE BOLT 5X10           | 1    |                     |

# B34-11 TOOLS/OPTIONAL PARTS



| REF. NUMBER         | SERVICE CODE No. | DESCRIPTION            | Q'TY | REMARKS /SERIAL NO. |
|---------------------|------------------|------------------------|------|---------------------|
| <b>B34-11 TOOLS</b> |                  |                        |      |                     |
| 001                 | 668-4813         | HEX. BAR WRENCH 4MM    | 1    |                     |
| 003                 | 668-4766         | WRENCH 8X10            | 1    |                     |
| 007                 | 669-3575         | COMBI,BOX WRENCH 17X19 | 1    |                     |
| 010                 | 669-5792         | BLADE B3/12/3.0        | 1    |                     |
| 030                 | 669-9542         | SAFETY GLASSES         | 1    |                     |
| 035                 | 669-2016         | CUTTER COVER           | 1    |                     |

# B34-12 LABELS



| REF. NUMBER          | SERVICE CODE No. | DESCRIPTION           | Q'TY | REMARKS /SERIAL NO. |
|----------------------|------------------|-----------------------|------|---------------------|
| <b>B34-12 LABELS</b> |                  |                       |      |                     |
| 001                  | 669-4143         | NAMEPLATE CG47EJ(T)   | 1    |                     |
| 002                  | 669-4613         | SYMBOL MARK CG47EJ(T) | 1    |                     |
| 008                  | 669-7625         | CAUTION MARK HITACHI  | 1    |                     |