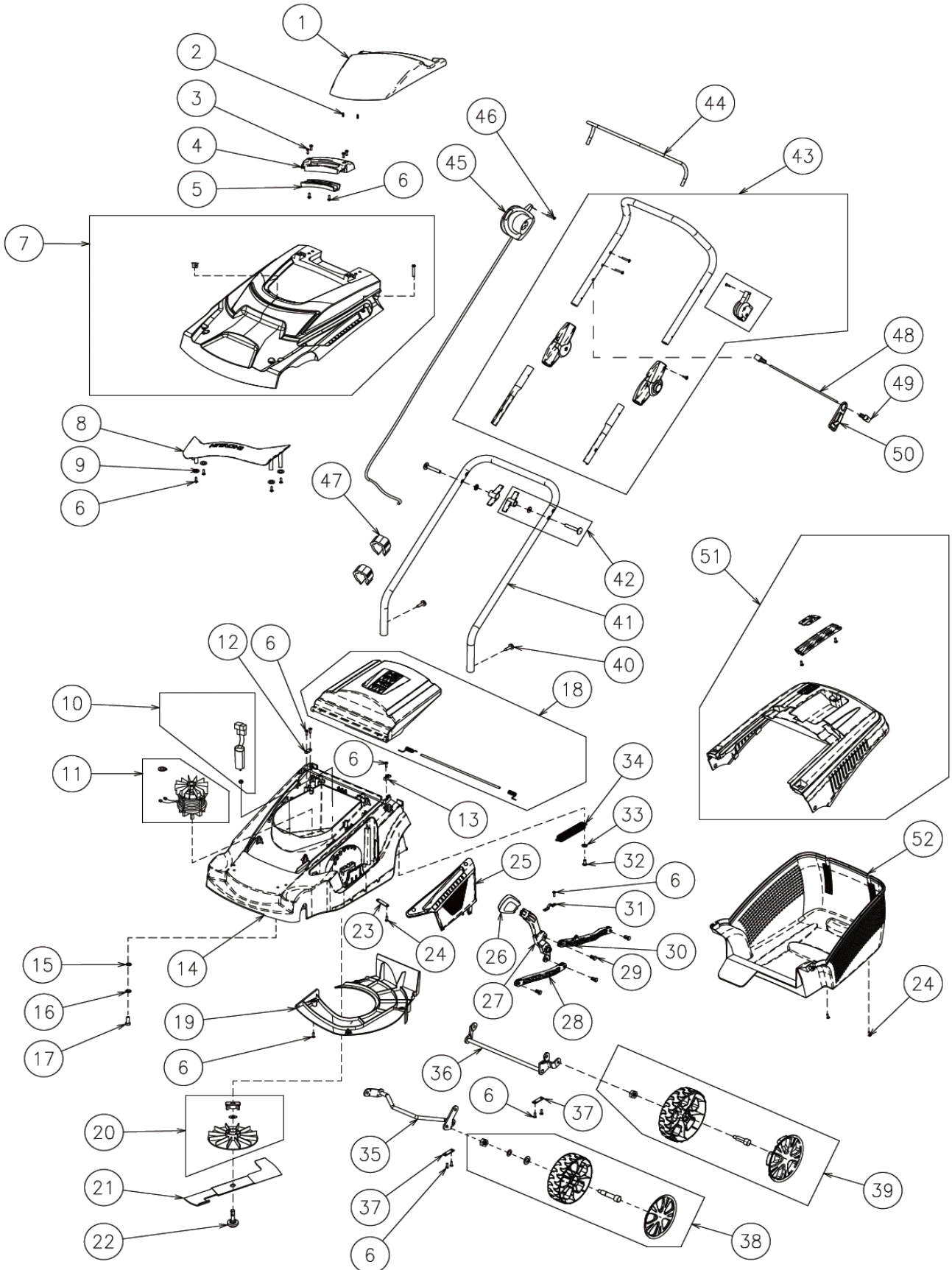


Hitachi Power Tools
ELECTRIC LAWN MOWER
Model ML34SR

2015.3.10



ITEM	CODE NO	
1	338261	Upper cover ML 34SR
2	338263	Screw PT-KB 30x8
3	336696	Screw D5x50
4	336697	Rear carry handle
5	336712	Rear carry handle cover
6	336709	Screw D4x14
7	338269	Motor cover set ML34SR
8	336701	Front carry handle
9	336759	Washer 4.3 DIN9021
10	338268	Condenser with cable 18µF
11	338285	Engine Medas compl. small fan
12	336710	Cable discharger
13	336727	Flap holder
14	336711	ML36 DL deck
15	338270	Washer 8x14x1,2 DIN 988
16	338271	Spring washer 8,4 DIN 6798
17	338272	Screw M8x16
18	336768	Flap set ML36DL
19	336716	Inlay
20	338276	Blade holder compl.
21	338274	Blade 34 E
22	338277	Blade Screw M10
23	336738	Metal plate
24	336749	Screw D3.5x14
25	336728	Deck cover
26	336731	Lever grip
27	336735	Lever height-adjustment
28	336736	Bar height-adjustment front
29	336734	Fixing bolt height-adjustment
30	336733	Bar height-adjustment rear
31	336732	Clamp height-adjustment
32	336730	Screw D6x15
33	6600273	Washer d8.4 DIN125
34	336729	Tension spring ML36DL
35	336725	Front wheelaxle
36	336737	Rear wheelaxle
37	336726	Axle plate
38	336770	Front wheel set ML36DL
39	336769	Rear wheel set ML36DL
40	336754	Screw D4.8x13 DIN7981
41	336755	Lower handle ML36DL
42	336756	M8 nut set
43	338282	Handle set ML34SR
44	336762	Switch lever ML36DL
45	338278	Switch
46	336764	Screw D3.5x13 DIN7981
47	336767	Cable clip
48	338280	Rod cable holder
49	338279	Bar bracket
50	338284	Cable retainer
51	336771	Grass box top set ML36DL
52	336750	Grass box low part